

SYNW-150 Series - AC Synchronous Motors



FEATURES

- **AC Synchronous Motor**
- **Flange Width 6.14 Inches**
- **Up to 1699 oz-in of Continuous Torque**
- **Low Vibration and Noise**
- **Can be Customized for:**
 - **Winding Current**
 - **Shaft Options**
 - **Cables and Connectors**
- **CE Certified and RoHS Compliant**



DESCRIPTION

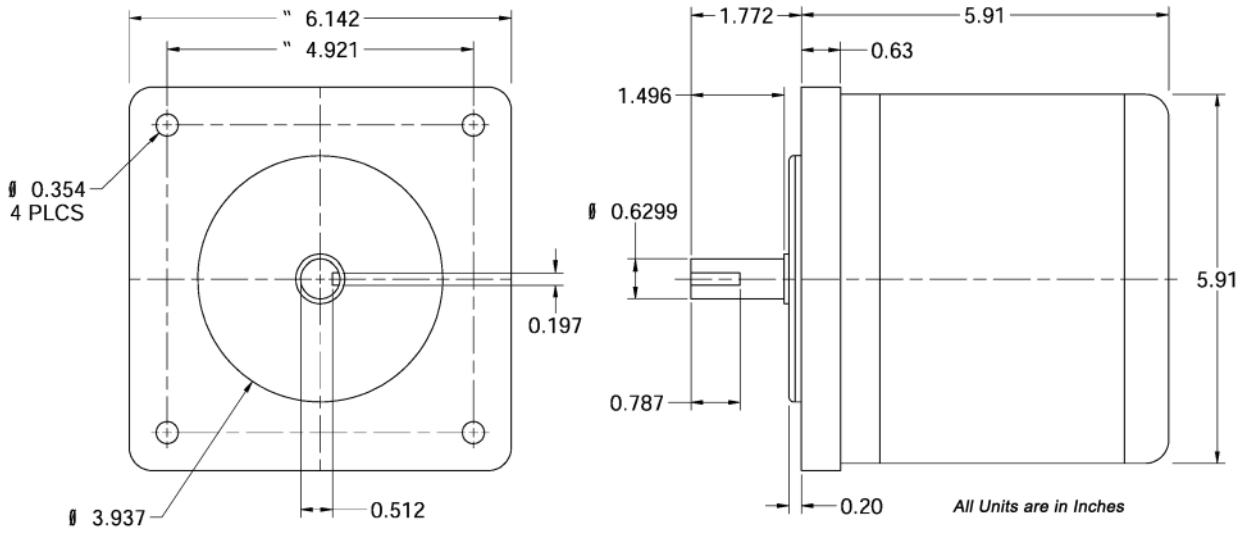
Anaheim Automation's AC Synchronous Motors run at a fixed speed regardless of the load that the motor is turning. These AC Synchronous Motors come with a matching resistor and capacitor. No other expensive drivers or amplifiers are required which makes this a cost-effective way to provide fixed speed over a wide torque range. The SYNW series offers torque ranges up to 1699 oz-in. They run at 72 RPM with single phase 110VAC, 60Hz. Other models are also available with gear ratios to provide even higher torque at fixed speeds. Custom options for the AC Synchronous Motor line include: optimizing the maximum speed, torque, current, voltage, cabling, wiring, connectors, and shaft modifications.

SPECIFICATIONS

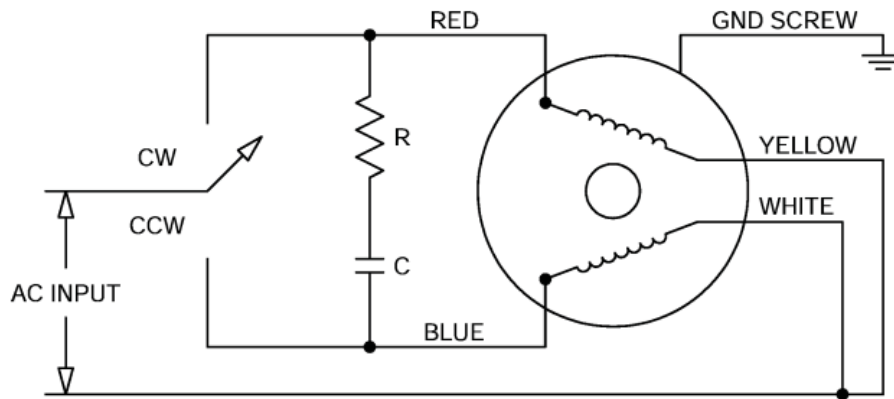
Model #	Flange Width (in)	Motor Length (in)	Voltage (VAC)	Speed (RPM @ 60Hz)	Input Power (W)	Start Torque (oz-in)	Rated Torque (oz-in)	Max Torque (oz-in)	Rotor Inertia (oz-in-sec ²)	Load Inertia (oz-in-sec ²)	Weight (lbs)
SYNW-150-150-110-72	6.14	5.91	110	72	200	708	1699	1841	0.32568	0.708	27.6
SYNW-150-150-220-72	6.14	5.91	220	72	200	708	1699	1841	0.32568	0.708	27.6

L010426

DIMENSIONS



WIRING DIAGRAM



SPECIFICATIONS

Voltage Input	Resistors Values	Capacitor Values	Insulation Classification	Operating Temperature
110VAC	110 ohm/100W	22 μ F/250V	B	-13° to 104°F
220VAC	280 ohm/150W	6 μ F/500V	B	-13° to 104°F