

ACPMGM-042 Series Synchronous Gearmotors



FEATURES

- AC Synchronous Gearmotors
- Designed for High Volume Applications
- Up to 56 oz-in of Torque
- 5 Watt
- 60/50Hz
- 42mm Motor Body Diameter
- Can Be Customized For:
 - Current/Voltage
 - Shaft Options
 - Cables and Connectors
- CE Certified, RoHS Compliant

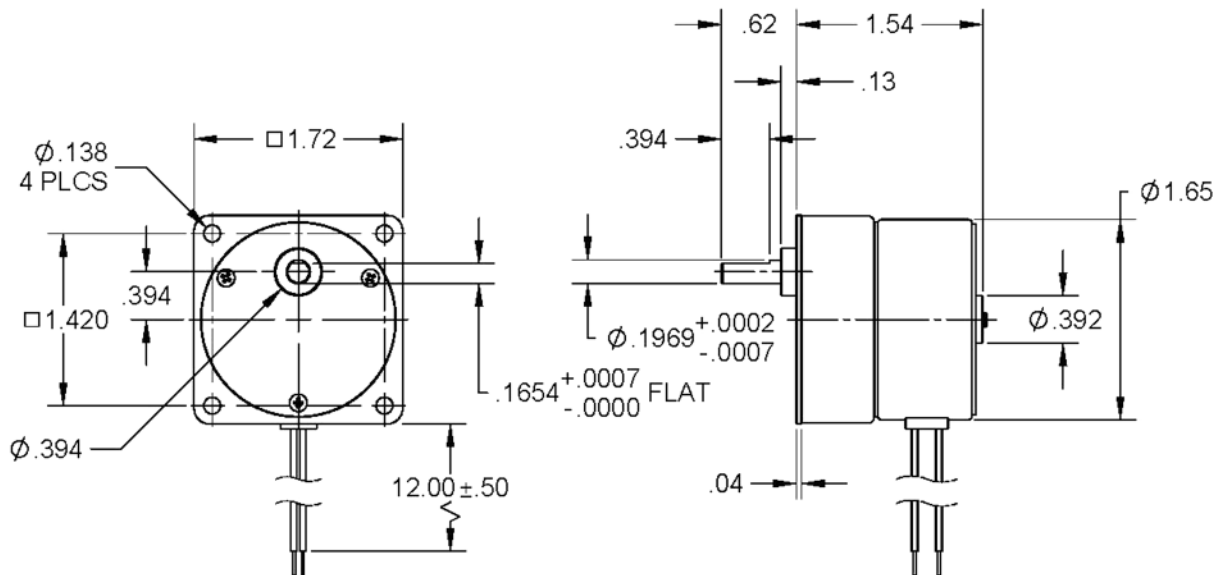


DESCRIPTION

Anaheim Automation's ACPMGM-042 Series AC Gearmotors come in a variety of input voltages and rated torques/speeds. These AC Synchronous Gearmotors are ideal for applications that require a constant speed while connecting to AC power line voltage. The ACPMGM-042 series can provide up to 56 oz-in. of torque. These synchronous gearmotors are available with many different options in speed and torque. Wire up to a motor with the appropriate capacitor to AC voltage, and the motor will maintain a constant speed as long as the load remains under the rated torque as listed in the table.

Note: *Capacitor Not Included

DIMENSION

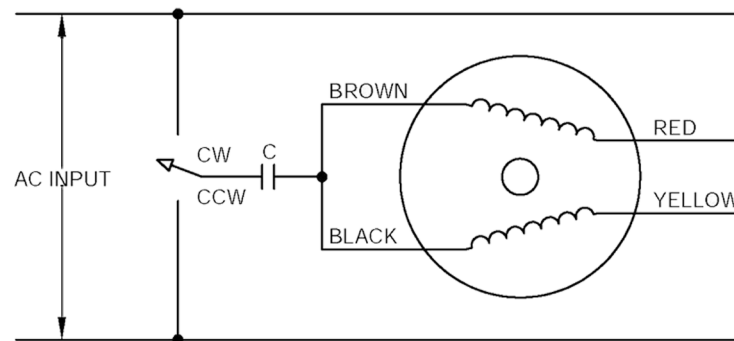


All units are in (in)

L010509

Model #	Input Voltage (VAC)	Motor Speed (rpm)	Rated Torque (oz-in)	Capacitor
ACPMGM-042-040-24-250-R10	24	25	29	8
ACPMGM-042-040-24-250-R20	24	12.5	53	8
ACPMGM-042-040-24-250-R25	24	10	56	8
ACPMGM-042-040-24-250-R30	24	8.3	56	8
ACPMGM-042-040-24-250-R50	24	5	56	8
ACPMGM-042-040-24-250-R75	24	3.3	56	8
ACPMGM-042-040-24-250-R100	24	2.5	56	8
ACPMGM-042-040-24-250-R120	24	2.1	56	8
ACPMGM-042-040-24-250-R150	24	1.6	56	8
ACPMGM-042-040-110-250-R10	110	25	29	0.5
ACPMGM-042-040-110-250-R20	110	12.5	53	0.5
ACPMGM-042-040-110-250-R25	110	10	56	0.5
ACPMGM-042-040-110-250-R30	110	8.3	56	0.5
ACPMGM-042-040-110-250-R50	110	5	56	0.5
ACPMGM-042-040-110-250-R75	110	3.3	56	0.5
ACPMGM-042-040-110-250-R100	110	2.5	56	0.5
ACPMGM-042-040-110-250-R120	110	2.1	56	0.5
ACPMGM-042-040-110-250-R150	110	1.6	56	0.5
ACPMGM-042-040-220-250-R10	220	25	29	0.1
ACPMGM-042-040-220-250-R20	220	12.5	53	0.1
ACPMGM-042-040-220-250-R25	220	10	56	0.1
ACPMGM-042-040-220-250-R30	220	8.3	56	0.1
ACPMGM-042-040-220-250-R50	220	5	56	0.1
ACPMGM-042-040-220-250-R75	220	3.3	56	0.1
ACPMGM-042-040-220-250-R100	220	2.5	56	0.1
ACPMGM-042-040-220-250-R120	220	2.1	56	0.1
ACPMGM-042-040-220-250-R150	220	1.6	56	0.1

* Torque Ratings at 50Hz



Noise Level: 45 dB Phase: Single-phase

Frequency: 50 / 60 Hz Temperature Rise: 60° C

Rotation: Bidirectional