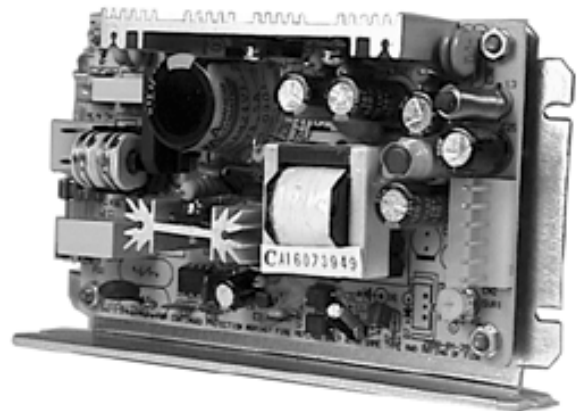


PSAM24V1.2A-5V3.5A Power Supply

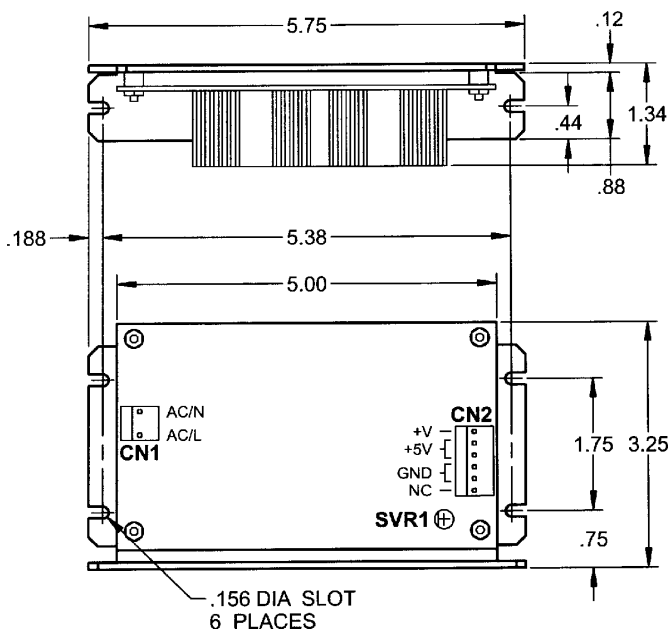
SPEC SHEET

- Low Cost, High Reliability
- High Efficiency, Low Working Temperature
- Built in EMI Filter, Low Ripple Noise
- 100% Full Load Burn-In Test
- Short Circuit/Over Voltage/Overload Protection
- Compact Size, Light Weight



The PSAM24V1.2A-5V3.5A power supply has dual outputs with power capabilities of 45 watts. With an adjustable +5V out at 3.2A and a +24V out at 1.2A this power supply is efficient to run Anaheim Automation lines of low current microsteppers and programmable controllers. With a compact size of 5.75" x 3.25" x 1.34" and dual mounting position "L Bracket", the PSAM24V1.2A-5V3.5A can be mounted just about anywhere.

Dimensions:



Specifications		
	CH1 (+5V)	CH2 (+V)
DC Voltage Output	5V	24V
Output Voltage Tolerance	±4%	±7%
Output Rated Current	3.2A	1.2A
Output Min. Current	0.4A	0.2A
Output Max Current	5A	1.8A
Ripple & Noise	50mVp-p	150mVp-p
Line Regulation	±1%	±2%
Load Regulation	±3%	±4%
Rated Output Power	44.8W	
Efficiency	78%	
DC Voltage Adjust	CH1: +10,-5% (Use SVR1 to adjust)	
Input Voltage Range	90-264VAC, 47-440Hz	
AC Current	1A/115V, 0.7A/230V	
Inrush Current	Cold Start 20A/115V, 40A/230V	
Leakage Current	<0.5 mA	
Suggested Connectors		
Manufacturer	Molex	
Series	5195	
Types	3 Pin for Power Input	
	5 Pin for Voltage Output	



ANAHEIM AUTOMATION

910 East Orangefair Lane, Anaheim, CA 92801
e-mail: info@anaheimautomation.com

(714) 992-6990 fax: (714) 992-0471
website: www.anaheimautomation.com