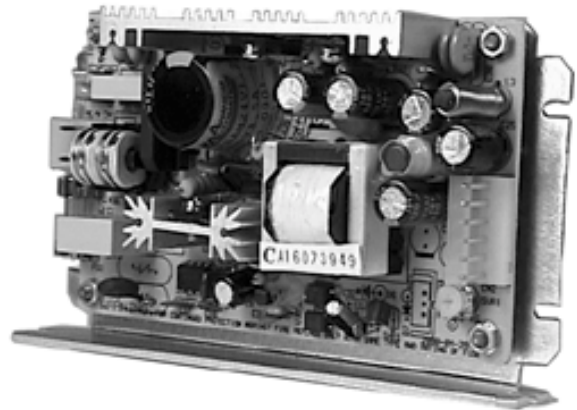


# PSAM24V2.7A, PSAM48V1.3A

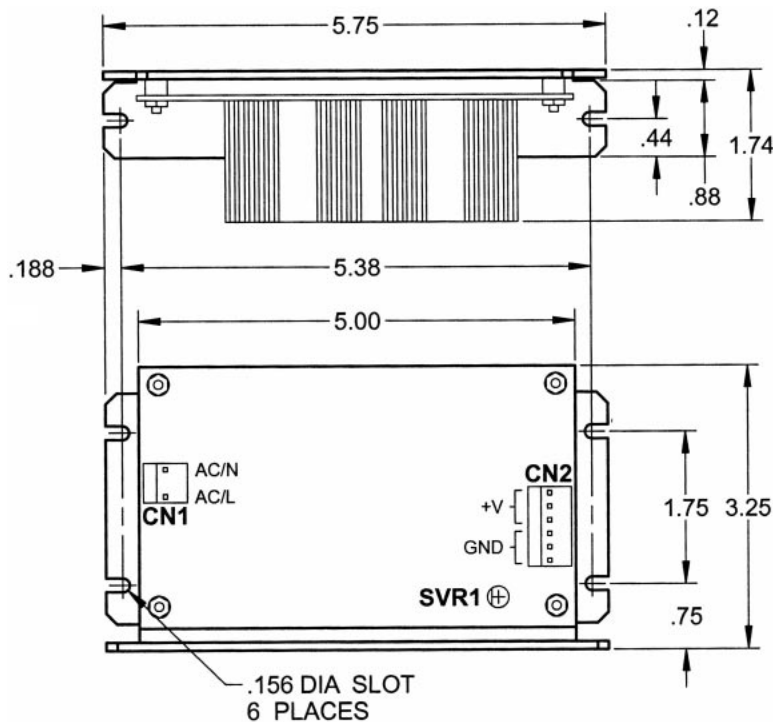
SPEC SHEET

- Low Cost, High Reliability
- High Efficiency, Low Working Temperature
- Built in EMI Filter, Low Ripple Noise
- 100% Full Load Burn-In Test
- Short Circuit/Over Voltage/Overload Protection
- Compact Size, Light Weight



The PSAM24V2.7A and PSAM48V1.3A power supplies have a single voltage output with power capabilities of upto 65 watts. With an adjustable output, these power supplies are efficient to run Anaheim Automation's lines of low current microsteppers and programmable controllers. With a compact size of 5.75" x 3.25" x 1.74" and dual mounting position "L Bracket", the PSAM24V2.7A and PSAM48V1.3A can be mounted just about anywhere.

## Dimensions:



## Specifications

	PSAM24V2.7A	PSAM48V1.3A
DC Voltage Output	24V	48V
Output Voltage Tolerance	±2%	±2%
Output Rated Current	2.7A	1.35A
Ripple & Noise	100mVp-p	
Load Regulation	±2%	
Rated Output Power	65W	
Efficiency	80%	
DC Voltage Adjust	+10,-5% (Use SVR1 to adjust)	
Input Voltage Range	90-264VAC, 47-440Hz	
AC Current	1A/115V, 0.7A/230V	
AC Inrush Current	Cold Start 20A/115V, 40A/230V	
Leakage Current	<0.5 mA	

## Additional Ordering Information

Part #	Description
CBL-AA4366	3 Pin Connector for use with Power Supplies
CBL-AA4367	6 Pin Connector for use with Power Supplies



**ANAHEIM AUTOMATION**

910 East Orangefair Lane, Anaheim, CA 92801  
e-mail: info@anaheimautomation.com

(714) 992-6990 fax: (714) 992-0471  
website: www.anaheimautomation.com