

FEATURES

- **DC Brush Planetary Gearmotor**
- **Designed for high volume applications**
- **Up to 69.44 oz-in of continuous Torque**
- **24 mm motor body diameter**
- **Custom versions are available**



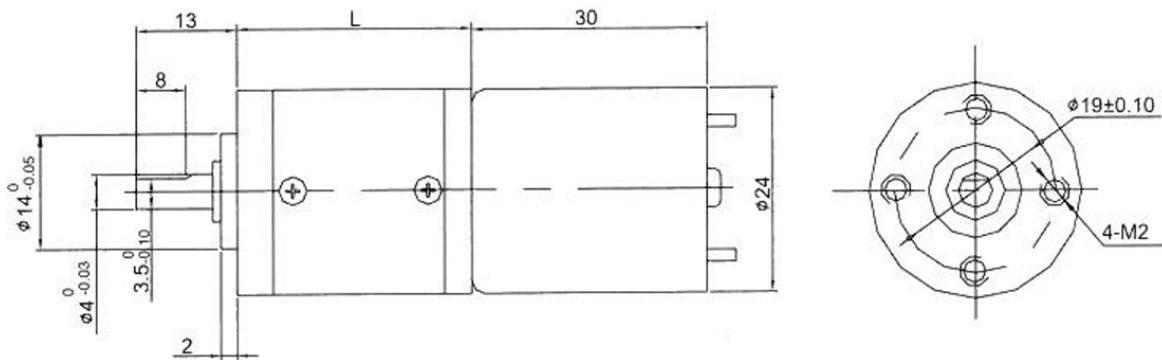
DESCRIPTION

The BDPG-24-30 Series was designed for high volume OEM applications with low cost being the primary objective. They come in variety of power levels, sizes, and will be sure to fit your Brush DC Planetary Gearmotor requirements. These motors are fully reversible. The BDPG-24-30 Series motors are a cost effective solution to manage motion control in many rotary applications including medical, semiconductor, pumps, robotics, CNC, or any other situation when a low cost Brush DC Planetary Gearmotor is needed.

SPECIFICATIONS

Model #	Voltage (V)	Rated Current (mA)	Gear Ratio	No Load Speed (RPM)	Rated Speed (RPM)	Rated Torque (oz-in)	Weight (lbs)	L Length (mm)
BDPG-2430-12V-6000-R3.7	12	240	3.7	1622	1297	1.39	0.17	26.0
BDPG-2430-12V-6000-R5.2	12	240	5.2	1154	960	1.94	0.17	26.0
BDPG-2430-12V-6000-R14	12	240	14	429	342	5.14	0.18	28.0
BDPG-2430-12V-6000-R19	12	240	19	316	253	7.08	0.18	28.0
BDPG-2430-12V-6000-R27	12	240	27	222	178	10.14	0.18	28.0
BDPG-2430-12V-6000-R51	12	240	51	118	94	18.05	0.20	32.5
BDPG-2430-12V-6000-R71	12	240	71	85	67	22.22	0.20	32.5
BDPG-2430-12V-6000-R100	12	240	100	60	48	34.72	0.20	32.5
BDPG-2430-12V-6000-R139	12	240	139	43	35	48.61	0.20	32.5
BDPG-2430-12V-6000-R189	12	240	189	32	25	63.88	0.22	37.5
BDPG-2430-12V-6000-R264	12	240	264	23	18	69.44	0.22	37.5
BDPG-2430-12V-6000-R369	12	240	369	16	13	69.44	0.22	37.5
BDPG-2430-12V-6000-R516	12	240	516	12	9.3	69.44	0.22	37.5
BDPG-2430-12V-6000-R720	12	240	720	8.3	6.7	69.44	0.22	37.5

L010458



\*All units are in mm

DIMENSION

Housing Material:	Metal	Radial Play of Shaft:	0.04 mm
Bearing at Output:	Sleeve Bearings	Thrust Play at Shaft:	0.3 mm
Radial Load:	1 kg	Backlash, at No-Load:	3°
Shaft Axial Load:	0.6 kg	Shaft Press Fit Force, Max	5 kg
Humidity:	20-85%	Operating Temperature:	-10°C to +80°C

SPECIFICATIONS