

BDSG-71-110 Series



FEATURES

- **DC Brush Spur Gearmotor**
- **Designed for high volume applications**
- **Up to 1389 oz-in of continuous torque**
- **71 mm motor diameter**
- **Custom versions are available**



DESCRIPTION

The BDSG-71-110 Series was designed for high volume OEM applications with low cost being the primary objective. Available in gear ratios from 3 to 75, the BDSG-71-110 Series gearmotor offers continuous torque of up to 1389 oz-in. These motors are fully reversible. The BDSG-71-110 Series gearmotors are a cost effective solution to manage motion control in many rotary applications including medical, semiconductor, pumps, robotics, CNC, or any other situation when a low cost Brush DC Spur gearmotor is needed.

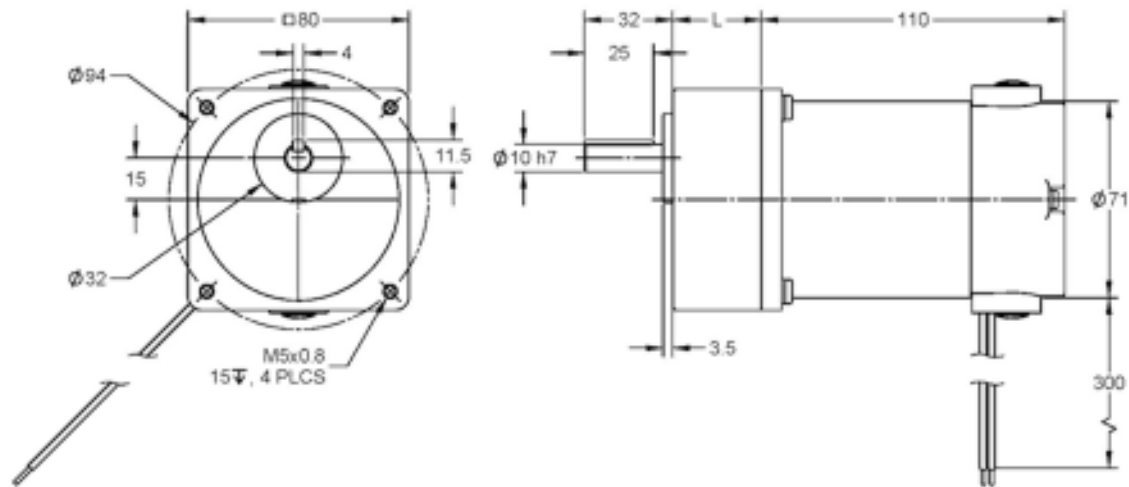
SPECIFICATIONS

Motor Specs	No Load Speed (RPM)	Rated Voltage (V)	No Load Current (A)	Output Power (W)	Rated Current (A)	Stall Current (A)
	3000	24	0.5	59	3.5	14

Model #	Gear Ratio	No Load Speed (RPM)	Rated Speed (RPM)	Rated Torque (oz-in)	Peak Torque (oz-in)	Weight (lbs)	L Length (mm)
BDSG-71-110-24V-3000-R3	3	1000	800	83	347	3.48	32
BDSG-71-110-24V-3000-R5	5	600	480	194	694	3.48	32
BDSG-71-110-24V-3000-R7.5	7.5	400	320	236	694	3.50	32
BDSG-71-110-24V-3000-R12.5	12.5	240	192	333	694	3.52	32
BDSG-71-110-24V-3000-R15	15	200	160	403	694	3.54	32
BDSG-71-110-24V-3000-R25	25	120	96	611	1389	3.90	44
BDSG-71-110-24V-3000-R30	30	100	80	722	1389	3.92	44
BDSG-71-110-24V-3000-R50	50	60	48	1097	2777	3.95	44
BDSG-71-110-24V-3000-R75	75	40	34	1389	2777	3.98	44

12V versions also available

L010481



*All units are in mm

Housing Material:	Steel	Bearing at Output:	Ball Bearing
Radial Load:	33 lbs - Force	Shaft Press Fit Force, Max	11 lbs
Operating Temperature:	14° - 104° F	Humidity:	90% - 95% Operating