

FEATURES

- **DC Brush Planetary GearMotor**
- **Designed for high volume applications**
- **Up to 69.44 oz-in of Continuous Torque**
- **22 mm motor body diameter**
- **Custom versions are available**



DESCRIPTION

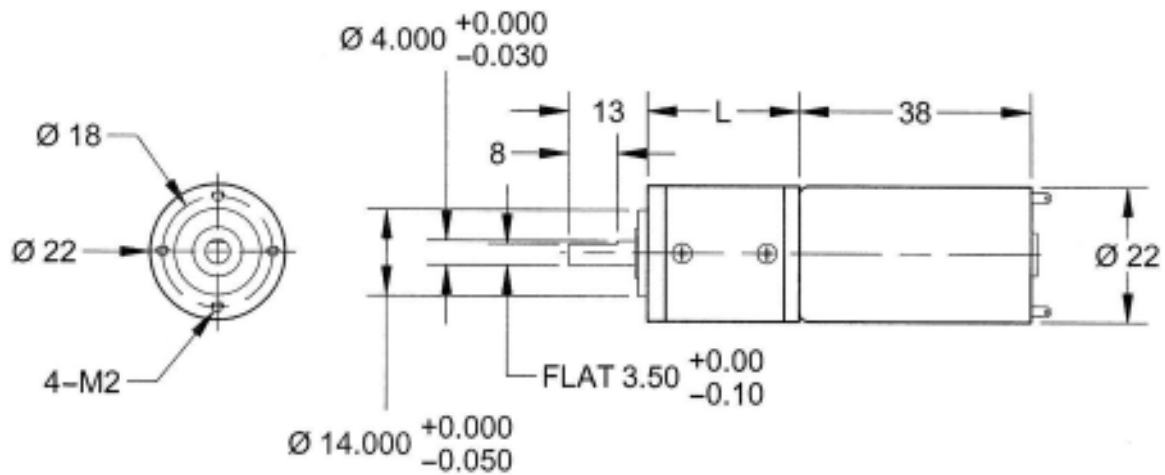
The BDPG-22-38 Series was designed for high volume OEM applications with low cost being the primary objective. These reliable low cost Brush DC Planetary Gearmotors come in a variety of power levels and sizes, and will be sure to fit your needs. The motors are fully reversible. The BDPG-22-38 Series is a cost effective solution to manage motion control in many rotary applications including medical, semiconductor, pumps, robotics, hobby, CNC, and many other applications where a low cost Brush DC Planetary Gearmotor is needed.

SPECIFICATIONS

Motor Specs	No Load Speed (RPM)	Rated Voltage (V)	No Load Current (A)	Output Power (W)	Rated Current (A)	Stall Current (A)
	6000	12	0.05	1.6	0.195	1.1

Model #	Voltage (V)	Gear Ratio	No Load Speed (RPM)	Rated Speed (RPM)	Rated Torque (oz-in)	Peak Torque (oz-in)	Weight (lbs)	L Length (mm)
BDPG-22-38-12V-6000-R3.7	12	3.7	1500	1390	1.39	41.66	0.146	26
BDPG-22-38-12V-6000-R5.2	12	5.2	1200	990	1.94	41.66	0.146	26
BDPG-22-38-12V-6000-R14	12	14	428	360	5.14	83.32	0.146	28
BDPG-22-38-12V-6000-R19	12	19	315	270	7.08	83.32	0.146	28
BDPG-22-38-12V-6000-R27	12	27	222	190	10.00	83.32	0.146	28
BDPG-22-38-12V-6000-R51	12	51	117	100	18.05	111.10	0.146	32.5
BDPG-22-38-12V-6000-R71	12	71	84	72	25.00	111.10	0.146	32.5
BDPG-22-38-12V-6000-R100	12	100	60	51	34.72	111.10	0.18	32.5
BDPG-22-38-12V-6000-R139	12	139	43	37	48.61	111.10	0.18	37.5
BDPG-22-38-12V-6000-R189	12	189	31	27	62.49	166.65	0.18	37.5
BDPG-22-38-12V-6000-R264	12	264	23	19	69.44	166.65	0.18	37.5
BDPG-22-38-12V-6000-R369	12	369	16	14	69.44	166.65	0.20	37.5
BDPG-22-38-12V-6000-R516	12	516	11	10	69.44	166.65	0.20	37.5
BDPG-22-38-12V-6000-R720	12	720	8.3	7.5	69.44	166.65	0.20	37.5

L010517



*All units are in mm

Housing Material:	Metal	Radial Play of Shaft:	0.04
Bearing at Output:	Sleeve Bearing	Shaft Press Fit Force, Max:	5 kg
Humidity:	20-85 %	Operating Temperature:	-10° C to 80° C