

BDPG-38-86-12V Series



FEATURES

- **DC Brush Planetary GearMotor**
- **Designed for high volume applications**
- **Up to 416.62 oz-in of continuous torque**
- **38 mm motor body diameter**
- **Custom versions are available**



DESCRIPTION

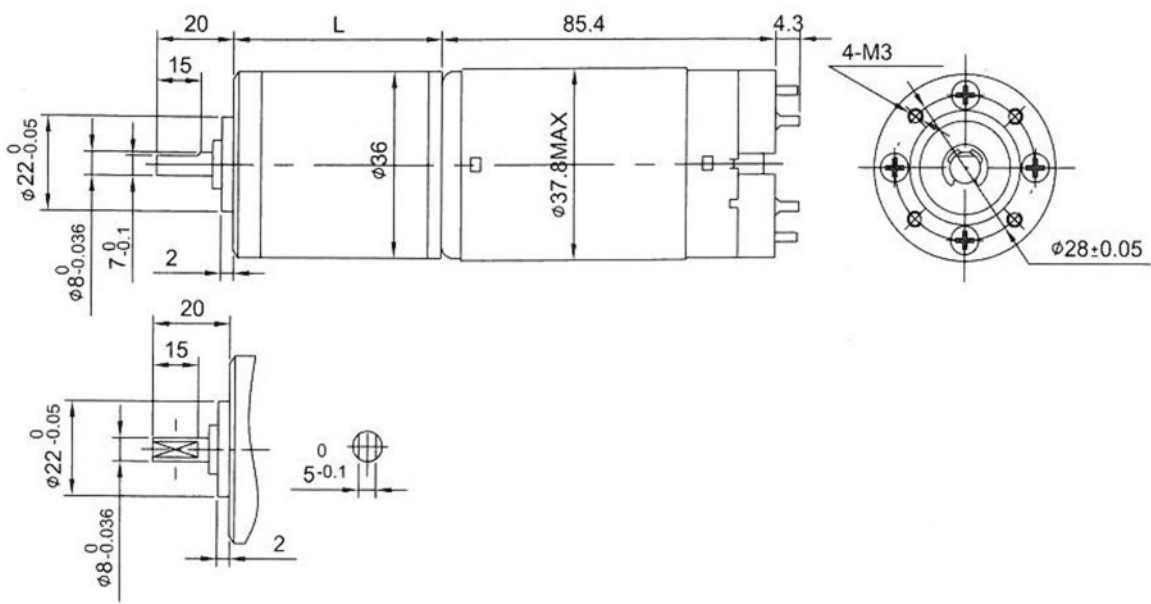
The BDPG-38-86 Series was designed for high volume OEM applications with low cost being the primary objective. These reliable low cost Brush DC Planetary Gearmotors come in variety of power levels, sizes, and will be sure to fit your needs. The motors are fully reversible. The BDPG-38-86 Series is a cost effective solution to manage motion control in many rotary applications including medical, semiconductor, pumps, robotics, hobby, CNC, and many other applications where a low cost Brush DC Planetary Gearmotor is needed.

SPECIFICATIONS

Motor Specs	No Load Speed (RPM)	Rated Voltage (V)	No Load Current (A)	Output Power (W)	Rated Current (A)	Stall Current (A)
	3000	12	0.15	10	1.3	4.4

Model #	Gear Ratio	No Load Speed (RPM)	Rated Speed (RPM)	Rated Torque (oz-in)	Peak Torque (oz-in)	Weight (lbs)	L Length (mm)
BDPG-38-86-12V-3000-R3.7	3.7	808	654	19.44	138.87	1.21	38.0
BDPG-38-86-12V-3000-R5.2	5.2	579	467	26.39	138.87	1.21	38.0
BDPG-38-86-12V-3000-R14	14	214	172	69.44	416.62	1.21	38.0
BDPG-38-86-12V-3000-R19	19	157	127	94.43	416.62	1.21	38.0
BDPG-38-86-12V-3000-R27	27	111	89	134.71	416.62	1.21	38.0
BDPG-38-86-12V-3000-R51	51	59	47	249.97	833.24	1.24	47.5
BDPG-38-86-12V-3000-R71	71	42	35	333.30	833.24	1.24	47.5
BDPG-38-86-12V-3000-R100	100	30	25	416.62	833.24	1.24	47.5
BDPG-38-86-12V-3000-R139	139	21	20	416.62	833.24	1.24	47.5

L010524



*All units are in mm

DIMENSION

Housing Material:	Metal	Radial Play of Shaft:	< 0.04 mm
Bearing at Output:	Sleeve Bearing	Shaft Press Fit Force, Max:	< 33.07 lb
Humidity:	90% - 95%	Operating Temperature:	14° F - 104° F

SPECIFICATIONS