

BLWR23MD Series - Brushless DC Motors



FEATURES

- **Size 23 BLDC Motor and Driver**
- **Cost Effective Solution**
- **Compact Size and Power Density**
- **Long Life and Highly Reliable**
- **Can be Customized for**
 - Maximum Speed
 - Winding Current
 - Shaft Options



DESCRIPTION

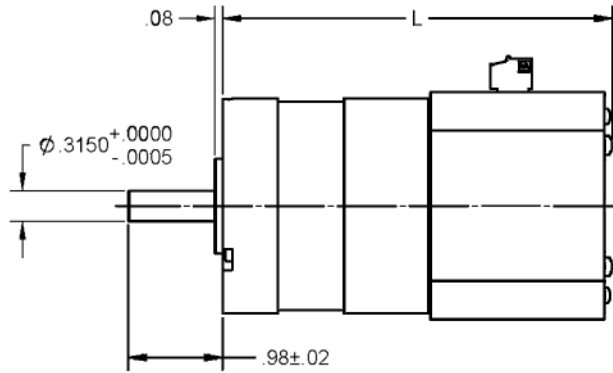
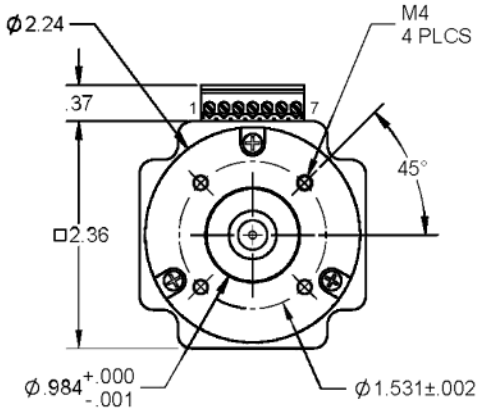
The BLWR23MD Series Brushless Integrated Motor/Driver combines a powerful BLDC motor design with the drive electronics in a compact package. These motors and controls are cost effective solutions to many velocity control applications. By supplying a 0-5 VDC input or connecting a simple potentiometer, this BLDC motor is easy to control. Terminal Block connections allow this motor/driver to be easily installed into any application. A pulse output is provided to digitally read the speed the shaft is turning at. We can also customize the winding to perfectly match your voltage, current, and maximum operating speed. Special shaft modifications, cables and connectors are also available upon request.

SPECIFICATIONS

Model #	FRAME Size	Rated Voltage (V)	Rated Speed (RPM)	Rated Power (W)	Peak Torque (oz-in)	Torque Constant (oz-in/A)	Rotor Inertia (oz-in-sec ²)	Weight (lbs)	"L" Length (in)
BLWR23MD2S-36V-4000	2.30"	36	4000	50	55	9.0	0.00106	1.4	3.98
BLWR23MD3S-36V-4000	2.30"	36	4000	95	100	9.0	0.00169	2.0	5.55
BLWR23MD4S-36V-4000	2.30"	36	4000	135	145	9.0	0.00245	2.5	6.34
BLWR23MDA5S-36-4000	2.30"	36	4000	185	186	8.9	0.00326	3.1	7.09

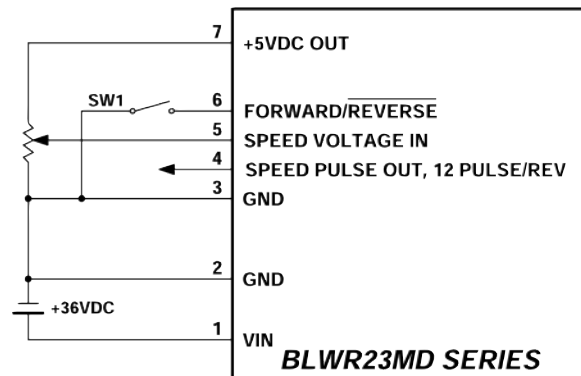
Note: Other Speed Options, Custom leadwires, cables, connectors, and windings are available upon request.

L010235



(All units are inches)

Terminal Block Pin	Description
7	+5VDC output
6	Direction
5	0-5 VDC Speed Control
4	Pulse Output
3	Ground
2	Ground
1	Input Power



Winding Type:	Delta, 8 Poles	Max. radial force:	28N @ 20mm from the flange
Hall effect angle:	120 degree electrical angle	Max. axial force:	10N
Shaft run out:	0.025mm	Insulation class:	Class B
Radial Play:	0.02mm@450g	Dielectric strength:	500VDC for one minute
End play:	0.08mm@450g	Insulation resistance:	100MChm, 500VDC