

BLWS24 Series - Brushless DC Motors



FEATURES

- **NEMA Size 24 BLDC Motors**
- **Compact Size and Power Density**
- **Cost Effective Solution**
- **Long Life and Highly Reliable**
- **Can be Customized for**
 - **Maximum Speed**
 - **Winding Current**
 - **Shaft Options**
 - **Cables and Connectors**
- **CE Certified and RoHS Compliant**



DESCRIPTION

The BLWS24 Series Brushless DC Motors come in a compact package with high power density. These motors are cost effective solutions to many velocity control applications. The motors come in a standard 8-lead configuration. We can also customize the windings to perfectly match your voltage, current, and maximum operating speed. Special shaft modifications, cables and connectors are also available upon request.

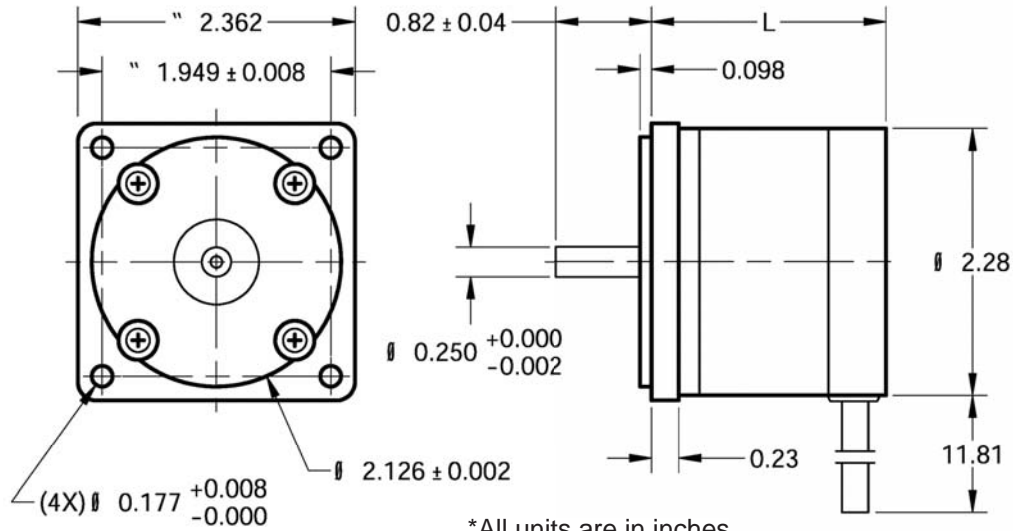
SPECIFICATIONS

Model #	FRAME Size	Rated Voltage (V)	Rated Speed (RPM)	Rated Power (W)	Peak Torque (oz-in)	Peak Current (A)	Line to Line Resistance (ohms)	Line to Line Inductance (mH)	Torque Constant (oz-in/A)	Back EMF Voltage (V/ kRPM)	Rotor Inertia (oz-in-sec ²)	Weight (lbs)	"L" Length (in)
BLWS242S-24V-2300	NEMA 24	24	2300	57	78	11	1.4	1.7	7.1	5.5	0.0028	1.4	2.04

Note: The 8th character "S" denotes a single shaft, use "D" for double shaft. Custom leadwires, cables, connectors, and windngs are available upon request.

L010797

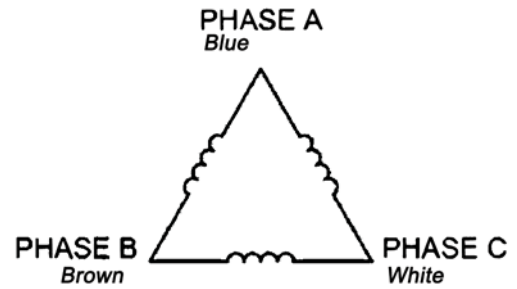
DIMENSIONS



*All units are in inches

WIRING INFORMATION

Wire Color	Description
Orange	Hall Supply
Red	Hall A
Yellow	Hall B
Green	Hall C
Black	Hall Ground
Blue	Phase A
Brown	Phase B
White	Phase C



SPECIFICATIONS

Winding Type:	Delta, 4 Poles	Max. Radial Force:	75N @ 20mm from the Flange
Hall Effect Angle:	120 Degree Electrical Angle	Max. Axial Force:	15N
Shaft Run Out:	0.025mm	Insulation Class:	Class B
Radial Play:	0.02mm@460g	Dielectric Strength:	500VDC for one Minute
End Play:	0.025mm@4000g	Insulation Resistance:	100MOhm, 500VDC