

GBPNR-120x-CS Series



FEATURES

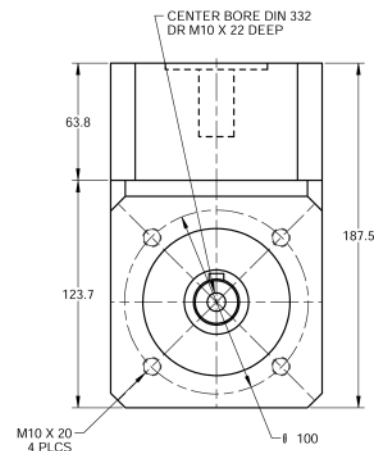
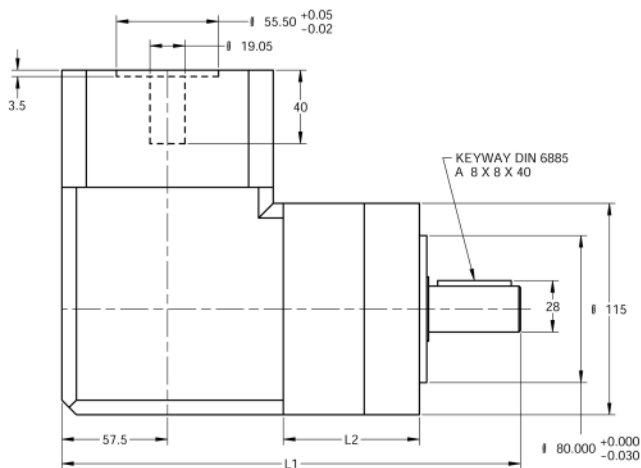
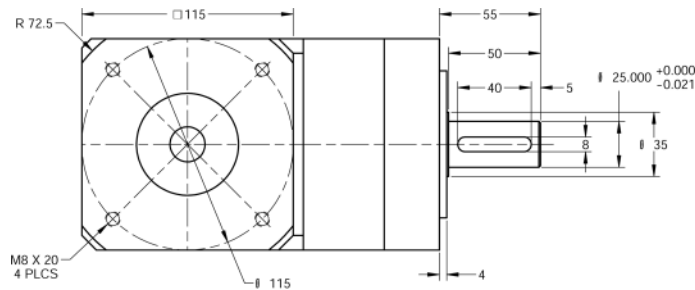
- Gear ratios from 3 to 512
- Backlash lower than 18 arc-min
- Available in 1, 2 and 3 stage models
- Lifetime lubrication
- High durability



DESCRIPTION

The GBPNR-120x-CS Series right angle planetary gearbox offers you the precision you need at the prices you want! This right angle planetary gearbox is designed with very low backlash for motion control, automation, and robotic applications requiring precise position requirements. This right angle planetary gearbox will match your servo or stepping motor. It comes in 22 different gear ratios. Built with the design goal of offering a cost effective product without sacrificing quality, you will find that this right angle planetary gearbox offers you an extraordinary value.

DIMENSION



L010523

Model #	Gear Ratio (X:1)	Nominal Rated Torque (oz-in)	Max Torque (oz-in)	Stages	Backlash Maximum (arcmin)	L1 Length (mm)	L2 Length (mm)	Weight (lbs)
GBPNR-1201-CS-003-AA421-750	3	11328	18112	1	< 12	249.5	74	26.5
GBPNR-1201-CS-004-AA421-750	4	14864	23792	1	< 12	249.5	74	26.5
GBPNR-1201-CS-005-AA421-750	5	18400	29440	1	< 12	249.5	74	26.5
GBPNR-1201-CS-008-AA421-750	8	16992	27184	1	< 12	249.5	74	26.5
GBPNR-1202-CS-009-AA421-750	9	29728	47568	2	< 16	276.5	101	30.9
GBPNR-1202-CS-012-AA421-750	12	36816	58896	2	< 16	276.5	101	30.9
GBPNR-1202-CS-015-AA421-750	15	32560	52112	2	< 16	276.5	101	30.9
GBPNR-1202-CS-016-AA421-750	16	36816	58896	2	< 16	276.5	101	30.9
GBPNR-1202-CS-020-AA421-750	20	36816	58896	2	< 16	276.5	101	30.9
GBPNR-1202-CS-025-AA421-750	25	32560	52112	2	< 16	276.5	101	30.9
GBPNR-1202-CS-032-AA421-750	32	36816	58896	2	< 16	276.5	101	30.9
GBPNR-1202-CS-040-AA421-750	40	32560	52112	2	< 16	276.5	101	30.9
GBPNR-1202-CS-064-AA421-750	64	16992	27184	2	< 16	276.5	101	30.9
GBPNR-1203-CS-060-AA421-750	60	36816	58896	3	< 18	303.5	128	35.3
GBPNR-1203-CS-080-AA421-750	80	36816	58896	3	< 18	303.5	128	35.3
GBPNR-1203-CS-100-AA421-750	100	36816	58896	3	< 18	303.5	128	35.3
GBPNR-1203-CS-120-AA421-750	120	32560	52112	3	< 18	303.5	128	35.3
GBPNR-1203-CS-160-AA421-750	160	36816	58896	3	< 18	303.5	128	35.3
GBPNR-1203-CS-200-AA421-750	200	32560	52112	3	< 18	303.5	128	35.3
GBPNR-1203-CS-256-AA421-750	256	36816	58896	3	< 18	303.5	128	35.3
GBPNR-1203-CS-320-AA421-750	320	32560	52112	3	< 18	303.5	128	35.3
GBPNR-1203-CS-512-AA421-750	512	16992	27184	3	< 18	303.5	128	35.3

Radial Load:	449 lbs - Force	Axial Load:	629 lbs - Force
Operating Temperature:	-25° C - 90°C	Noise Level:	75 dB
Maximum Input Speed:	6,500 RPM	Design Life:	20,000 hours
Efficiency:	88% - 94%	IP Rating:	IP 54 / 55