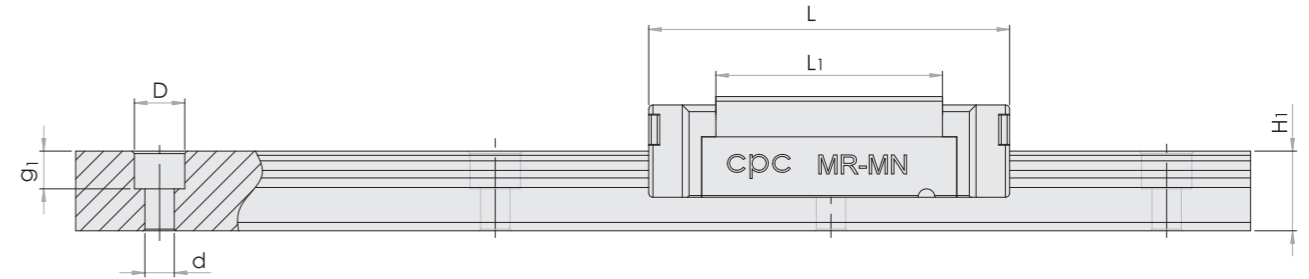
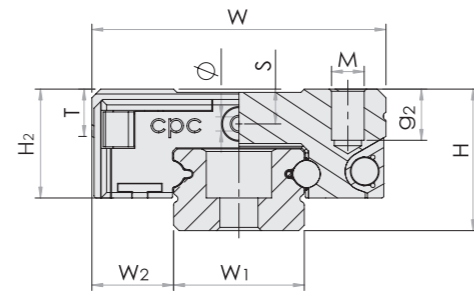


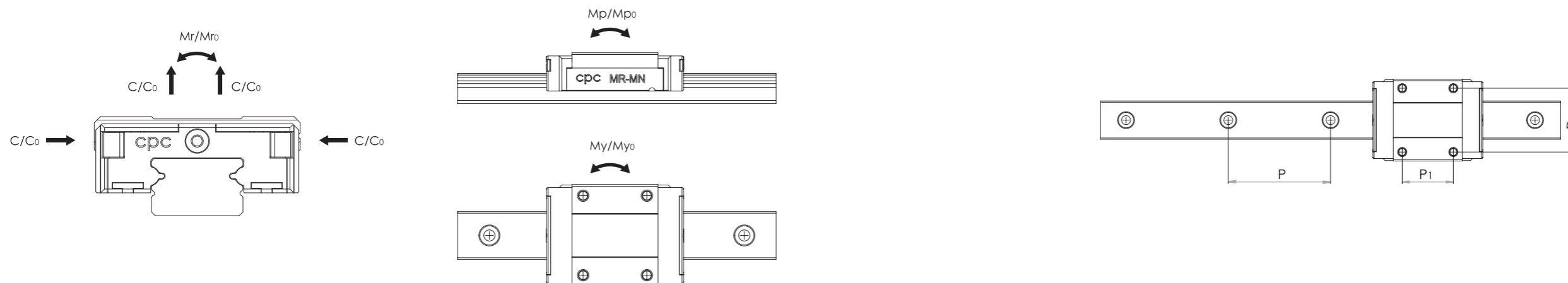
5. Dimensions and Specification

5.1 Standard MR-M SS series



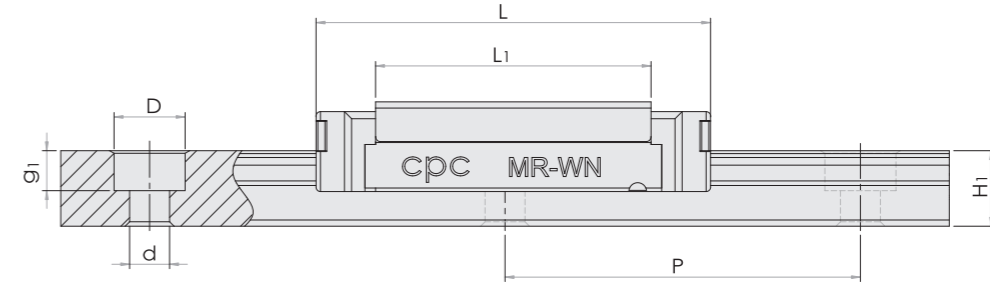
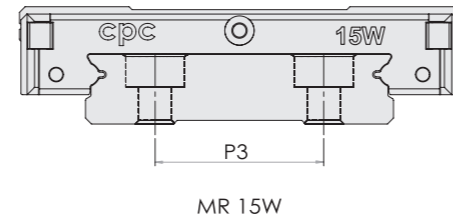
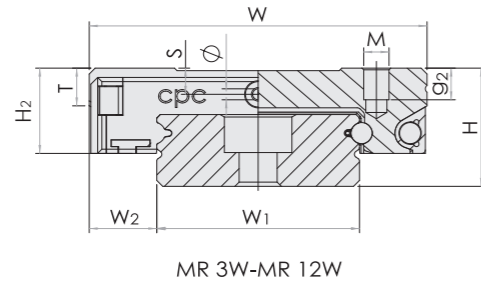
Model Code	Fabricate Dimensions		Rail Dimensions (mm)				Block Dimensions (mm)						Block Dimensions (mm)				Load Capacities (N)		Static Moment (Nm)			Weight		Model Code
	H	W ₂	W ₁	H ₁	P	D×d×g ₁	W	L	L ₁	H ₂	P ₁	P ₂	M×g ₂	∅	S	T	C _{100B} (dyn)	Co(stat)	M _{r0}	M _{p0}	M _{y0}	Block(g)	Rail(g/m)	
MR 15ML SS	16	8.5	15	9.5	40	6 x 3.5 x 4.5	32	60	44	12	25	25	M3 x 5.5	1.8	3.3	4.3	5350	9080	70	63.3	63.3	90	930	MR 15ML SS
MR 15MN SS	16	8.5	15	9.5	40	6 x 3.5 x 4.5	32	43	27	12	20	25	M3 x 5.5	1.8	3.3	4.3	3810	5590	43.6	27	27	61	930	MR 15MN SS
MR 12ML SS	13	7.5	12	7.5	25	6 x 3.5 x 4.5	27	47.6	34	10	20	20	M3 x 3.5	1.3	3.2	4.3	3240	5630	34.9	30.2	30.2	51	602	MR 12ML SS
MR 12MN SS	13	7.5	12	7.5	25	6 x 3.5 x 4.5	27	35.4	22	10	15	20	M3 x 3.5	1.3	3.2	4.3	2308	3465	21.5	12.9	12.9	34	602	MR 12MN SS
MR 9ML SS	10	5.5	9	5.5	20	6 x 3.5 x 3.5	20	40.9	30.8	7.8	16	15	M3 x 3.0	1.3	2.2	3.3	2135	3880	18.2	12.4	12.4	28	301	MR 9ML SS
MR 9MN SS	10	5.5	9	5.5	20	6 x 3.5 x 3.5	20	30.6	20.5	7.8	10	15	M3 x 3.0	1.3	2.2	3.3	1570	2495	11.7	6.4	6.4	18	301	MR 9MN SS
MR 7ML SS	8	5	7	4.7	15	4.2 x 2.4 x 2.3	17	31.2	21.8	6.5	13	12	M2 x 2.5	1.1	1.6	2.8	1310	2440	9	7.7	7.7	14	215	MR 7ML SS
MR 7MN SS	8	5	7	4.7	15	4.2 x 2.4 x 2.3	17	23.7	14.3	6.5	8	12	M2 x 2.5	1.1	1.6	2.8	890	1400	5.2	3.3	3.3	8	215	MR 7MN SS
MR 5ML SS	6	3.5	5	3.5	15	3.5 x 2.4 x 1	12	21.2	13.5	4.5	7	-	M2.6 x 2.0	0.9	1.1	2	470	900	2.4	2.1	2.1	4	116	MR 5ML SS
MR 5MN SS	6	3.5	5	3.5	15	3.5 x 2.4 x 1	12	16.7	10	4.5	-	8	M2 x 1.5	0.9	1.1	2	335	550	1.7	1	1	3.5	116	MR 5MN SS
MRU 3ML SS	4	2.5	3	2.6	10	M1.6	8	16	11	3	5.5	-	M2 x 1.1	0.3	0.7	1.5	295	575	0.9	1.1	1.1	1.2	53	MRU 3ML SS
MRU 3MN SS	4	2.5	3	2.6	10	M1.6	8	11.7	6.7	3	3.5	-	M1.6 x 1.1	0.3	0.7	1.5	190	310	0.6	0.4	0.4	0.9	53	MRU 3MN SS

Load capacities are calculated according to ISO 14728, Compare the rating life definition and the load capacities: C_{50B}=1.26xC_{100B}



5. Dimensions and Specification

5.7 Wide MR-W SS series



Model Code	Fabricate Dimensions		Rail Dimensions (mm)					Block Dimensions (mm)					Block Dimensions (mm)				Load Capacities (N)		Static Moment (Nm)			Weight		Model Code	
	H	W ₂	W ₁	H ₁	P	P ₃	D×d×g ₁	W	L	L ₁	H ₂	P ₁	P ₂	M×g ₂	∅	S	T	C _{100B} (dyn)	Co(stat)	M _{r0}	M _{p0}	M _{y0}	Block(g)		Rail(g/m)
MR 15WL SS	16	9	42	9.5	40	23	8 x 4.5 x 4.5	60	74.4	57.6	12	35	45	M4 x 4.5	1.8	3.3	4.5	6725	12580	257.6	93.1	93.1	200	2818	MR 15WL SS
MR 15WN SS	16	9	42	9.5	40	23	8 x 4.5 x 4.5	60	55.3	38.5	12	20	45	M4 x 4.5	1.8	3.3	4.5	5065	8385	171.7	45.7	45.7	137	2818	MR 15WN SS
MR 12WL SS	14	8	24	8.5	40	-	8 x 4.5 x 4.5	40	59.4	46	10.1	28	28	M3 x 3.5	1.3	3.1	4.5	4070	7800	95.6	56.4	56.4	93	1472	MR 12WL SS
MR 12WN SS	14	8	24	8.5	40	-	8 x 4.5 x 4.5	40	44.4	31	10.1	15	28	M3 x 3.5	1.3	3.1	4.5	3065	5200	63.7	26.3	26.3	65	1472	MR 12WN SS
MR 9WL SS	12	6	18	7.3	30	-	6 x 3.5 x 4.5	30	50.7	39.5	8.6	24	23	M3 x 3	1.3	2.6	4	2550	4990	45.9	26.7	26.7	51	940	MR 9WL SS
MR 9WN SS	12	6	18	7.3	30	-	6 x 3.5 x 4.5	30	39.1	27.9	8.6	12	21	M3 x 3	1.3	2.6	4	2030	3605	33.2	13.7	13.7	37	940	MR 9WN SS
MR 7WL SS	9	5.5	14	5.2	30	-	6 x 3.5 x 3.5	25	40.5	30.1	7	19	19	M3 x 3	1.1	1.9	3.2	1570	3140	22.65	14.9	14.9	27	516	MR 7WL SS
MR 7WN SS	9	5.5	14	5.2	30	-	6 x 3.5 x 3.5	25	31.6	21.2	7	10	19	M3 x 3	1.1	1.9	3.2	1180	2095	15	7.3	7.3	19	516	MR 7WN SS
MR 5WL SS	6.5	3.5	10	4	20	-	5.5 x 3 x 1.6	17	27.2	21.2	5	11	13	M2.5 x 1.5	0.9	1.2	2.3	615	1315	6.8	4.1	4.1	8	280	MR 5WL SS
MR 5WLC SS	6.5	3.5	10	4	20	-	5.5 x 3 x 1.6	17	27.2	21.2	5	11	13	M3/M2.5 x 1.5	0.9	1.2	2.3	615	1315	6.8	4.1	4.1	8	280	MR 5WLC SS
MR 5WN SS	6.5	3.5	10	4	20	-	5.5 x 3 x 1.6	17	21.1	15.1	5	6.5	13	M2.5 x 1.5	0.9	1.2	2.3	475	900	4.6	2.2	2.2	6	280	MR 5WN SS
MR 5WNC SS	6.5	3.5	10	4	20	-	5.5 x 3 x 1.6	17	21.1	15.1	5	6.5	13	M3/M2.5 x 1.5	0.9	1.2	2.3	475	900	4.6	2.2	2.2	6	280	MR 5WNC SS
MR 3WL SS	4.5	3	6	2.7	15	-	4 x 2.4 x 1.5	12	20.1	15.1	3.5	8	-	M2 x 1.4	0.3	0.8	1.8	370	800	2.5	1.9	1.9	3.4	105	MR 3WL SS
MR 3WN SS	4.5	3	6	2.7	15	-	4 x 2.4 x 1.5	12	15	10	3.5	4.5	-	M2 x 1.4	0.3	0.8	1.8	280	530	1.6	0.9	0.9	3.4	105	MR 3WN SS

Load capacities are calculated according to ISO 14728, Compare the rating life definition and the load capacities: C_{50B}=1.26xC_{100B}

