

PRODUCT RELEASE

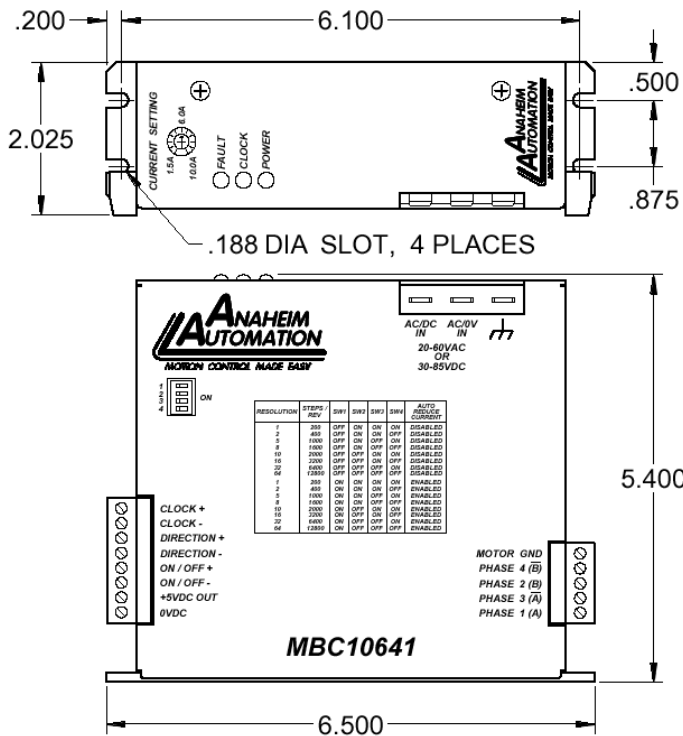
MBC10641 MICROSTEP DRIVER

- 10 Amps/Phase Output Current
- Microstepping Drive Operations
- 1, 2, 5, 8, 10, 16, 32 and 64 Step Operations
- Opto Isolated Inputs
- Short Circuit Protection
- Motor On/Off Input
- Current Reduction
- Over-Temperature and Over-Voltage Detection

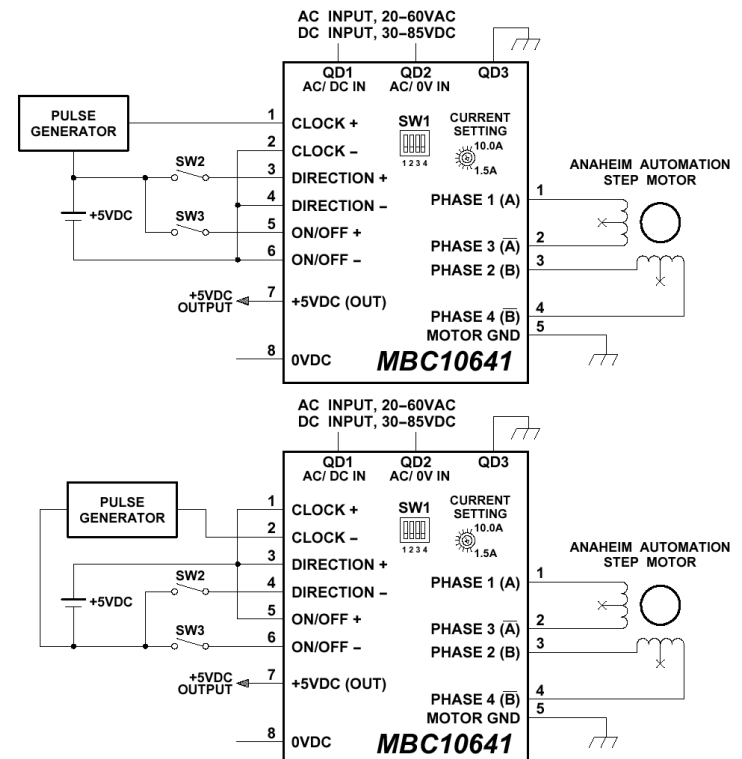


The MBC10641 Microstep Motor Driver has an output capability from 1.5 Amps Minimum to 10 Amps Maximum (Peak Rating). The MBC10641 driver operates from either a transformer, whose input can be wired from 90-265 VAC or a DC voltage of 30 to 85 Volts. The inputs are opto-isolated with a minimum sourcing of 7 mA per input (5VDC Minimum to 24VDC Maximum). The clock input is set to receive either positive or negative edge clocks with a maximum frequency of 400K Hz. The direction input is current sourcing for CW and no current for CCW. The ON/OFF feature is current sourcing to de-energize the step motor and no current to energize the motor. Reduce Current Enabled automatically reduces motor current 70% after last step (1 sec delay). The driver has built-on features to indicate power on (Green LED), clocks being received (Yellow LED), and fault conditions (Red LED). Protection devices have been added to this driver for Phase-to-Phase short-circuit, motor mis-wire conditions, over-voltage and over-temperature.

Dimensions:



Hookup Diagrams:



ANAHEIM AUTOMATION

910 East Orangefair Lane, Anaheim, CA 92801
e-mail: info@anaheimautomation.com

(714) 992-6990 fax: (714) 992-0471
website: www.anaheimautomation.com