

08Y Series - High Torque Stepper Motors



FEATURES

- **NEMA 8 Frame Size**
- **1.8° Step Angle**
- **High Torque - Up to 4.2 oz-in**
- **High Step Accuracy and Resolution**
- **Low Vibration and Noise**
- **Can be Customized for**
 - Winding Current
 - Shaft Options
 - Cables and Connectors
- **CE Certified and RoHS Compliant**



DESCRIPTION

The 08Y Series High Torque Stepper Motors offer High Torque in a compact size. These motors were designed to offer the highest possible torque while minimizing vibration and audible noise. A broad line of motor windings and stack lengths are available off-the-shelf, or the motors can be customized to fit your machine requirements. The motor comes in a standard 4-lead configuration. We can also customize the winding to perfectly match your voltage, current, and maximum operating speed. Special shaft modifications, cables and connectors are also available upon request.

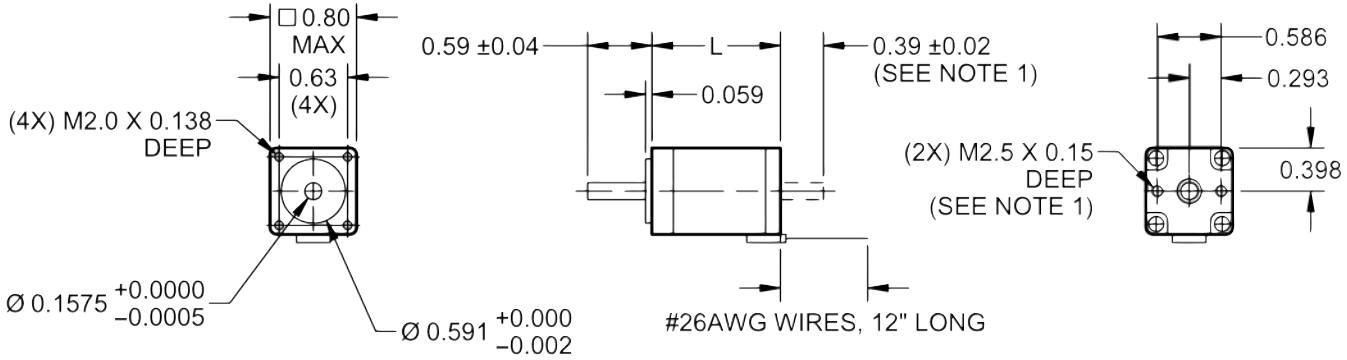
See Accessories on this website for optional motor adders such as encoders, cables and connectors. See compatible drivers for the 08Y Series: MBC15081, MBC25081TB

SPECIFICATIONS

Model #	NEMA Size	Bipolar Torque (oz-in)	Series RMS Current (A)	Series Peak Current (A)	Series Inductance (mH)	Bipolar Series Volatage (V)	Bipolar Series Resistanace (ohm)	Rotor Inertia (oz-in-sec ²)	Shaft Diameter (in)	# of Lead Wires	Weight (lbs)	"L" Length (in)
08Y102S-LW4	8	2.5	0.60	0.85	1.7	3.90	6.5	0.000028	0.1575	4	0.13	1.18
08Y302S-LW4	8	4.2	0.80	1.13	1.5	4.32	5.4	0.000028	0.1575	4	0.18	1.65

Notes: The 7th character "S" denotes a single shaft, use "D" for double shaft. Custom leadwires, cables, connectors, and windings are available upon request.

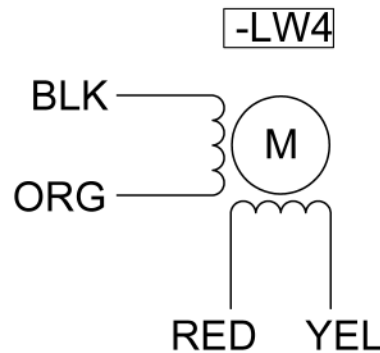
L010211



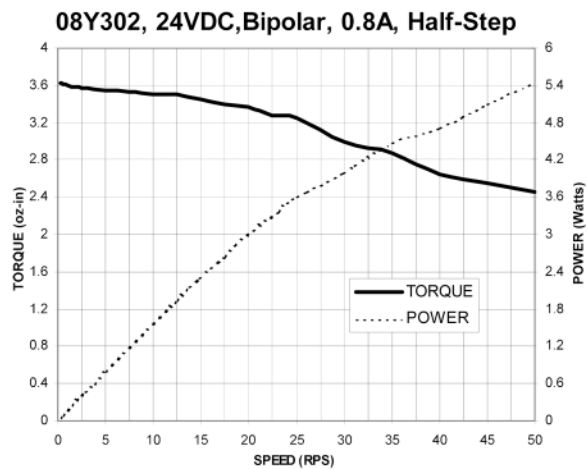
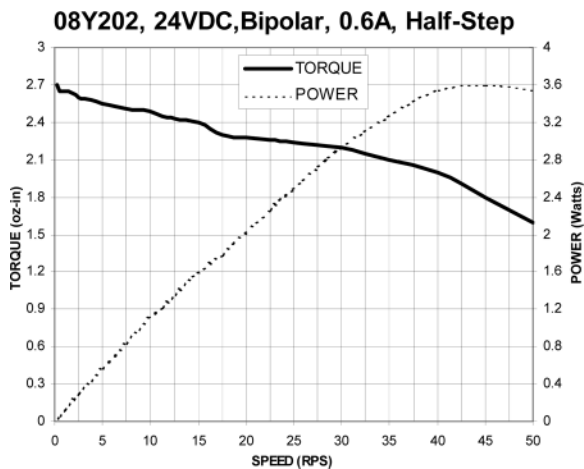
DIMENSION

(All units are inches)

Note 1: Dual Shaft option only



WIRING INFORMATION



SPECIFICATIONS