

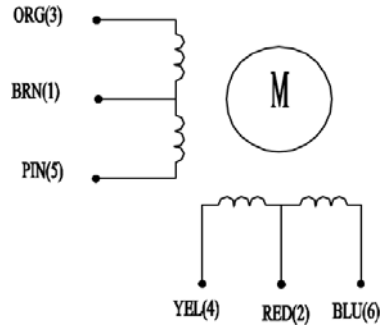
TGM35-075-18-12V-011A-85R-LW6



- Permanent Magnet Stepper GearMotor
- High torque in a Small Package at a Low Cost
- 1000 g-cm of Torque
- 85.25:1 gear Ratio
- 35 mm diameter

Specifications

Item	Specifications
Step Angle Accuracy	±7% (Full step, no load)
Resistance Accuracy	±10%
Inductance Accuracy	±20%
Temperature Rise	80° C Max
Ambient Temperature	-20°C to +50°C
Dielectric Strength	500VAC for one minute
Insulation Resistance	100MΩMin., 500VDC



Model	Step Angle (deg)	Gear Ratio	# of Wires	Voltage (V)	Current per Phase (A)	Holding Torque (g.cm)	Detent Torque (g.cm)
TGM35-075-18-12V-011A-85R-LW6	7.5	85.25:1	6	12	0.11	1000	800

