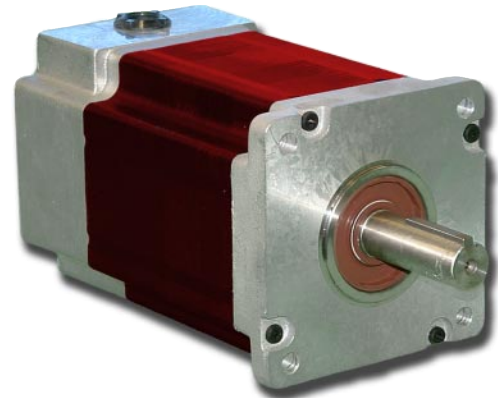


# 34K65 Series - IP65 Rated Sealed Stepper Motors



- **NEMA 34 Frame Size**
- **1.8° Natural Step Angle**
- **Holding Torque Ratings Up to 2790 oz-in**
- **Sealed per IP65 for Splashproof**
- **Substantial Increase In Torque Over Standard Motors**
- **High Acceleration and Increased Rotor Inertia**
- **4 Stack Lengths**
- **Microstep Increments as Small as 0.0072° (with our MBC082561 driver)**
- **1.5% Typical Step Accuracy**
- **Rugged Construction**
- **Higher Temperature Characteristics**
- **CE Certified and RoHS Compliant**



## DESCRIPTION

The 34K65 Series High Torque Stepper Motors use advanced magnetic technologies to provide significantly higher torque levels than what is available in standard round motors. They are also sealed around the shaft and lead-wire making them splashproof and perfect for applications requiring IP65 rated stepper. These motors are available in a variety of windings to meet any application specific requirement. The torque levels reached with this step motor line make them cost effective alternatives to servo motors in many applications. These motors can be specified in place of standard motors to reduce system size and cost, or increase system performance, without the need to go to larger sized motors or drivers.

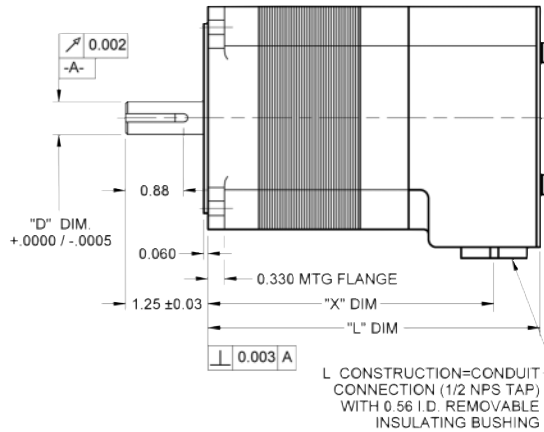
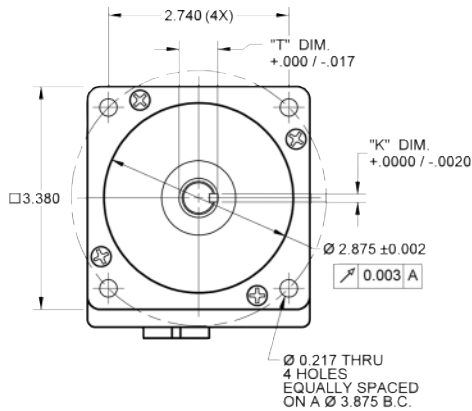
**See Accessories on our website for optional motor adders such as encoders, brakes, cables, and connectors. For compatible drivers, consider our popular MBC082561, MBC12101, and MLA10641 drivers or Driver Packs.**

## SPECIFICATIONS

Model #	NEMA Size	Bipolar Torque (oz-in)	Series Current (A)	Unipolar Current (A)	Parallel Current (A)	Unipolar Inductance (mH)	Rotor Inertia (oz-in-sec <sup>2</sup> )	Shaft Diameter (in)	# of Terminals	Weight (lbs)	L Length (in)
34K65104S-CB8	34	805	1.4	2.0	2.80	10.2	0.02	0.500	8	5.00	4.44
34K65108S-CB8	34	820	2.7	3.9	5.40	2.80	0.02	0.500	8	5.00	4.44
34K65112S-CB8	34	830	4.3	6.1	8.60	1.20	0.02	0.500	8	5.00	4.44
34K65207S-CB8	34	1510	2.5	3.5	5.00	5.70	0.038	0.500	8	8.40	5.96
34K65214S-CB8	34	1535	5.0	7.1	10.0	1.40	0.038	0.500	8	8.40	5.96
34K65307S-CB8	34	2145	2.5	3.5	5.00	7.00	0.057	0.625	8	11.9	7.48
34K65314S-CB8	34	2150	5.0	7.0	10.0	1.70	0.057	0.625	8	11.9	7.48
34K65412S-CB8	34	2790	4.4	6.2	12.4	3.60	0.075	0.625	8	15.1	8.99
34K65416S-CB8	34	2725	5.6	8.0	16.0	2.00	0.075	0.625	8	15.1	8.99

*Notes: The 9th character "S" denotes a single shaft, use "D" for double shaft. Custom leadwires, cables, connectors, and windings are available upon request.*

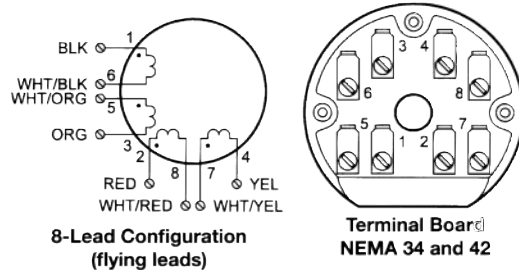
L010385



PART NUMBER	"D"	"K"	"T"	"X"	"L"
34X1XXS-CB8	.5000	.1250	.555	3.70	4.44
34X2XXS-CB8	.5000	.1250	.555	5.22	5.96
34X3XXS-CB8	.6250	.1875	.705	6.74	7.48
34X4XXS-CB8	.6250	.1875	.705	8.25	8.99

(All units are inches)

Connection	Lead Wire Connection	Lead Wire Color	Terminal #
4 - Lead Bipolar Series MBC or MLP Series	A	Black	1
	/A	Orange	3
	B	Red	2
	/B	Yellow	4
	None	White/Black & White/Orange	6 & 5
	None	White/Red & White/Yellow	8 & 7
4 - Lead Bipolar Parallel MBC or MLP Series	A	Black & White/Orange	1 & 5
	/A	Orange & White/Black	3 & 6
	B	Red & White/Yellow	2 & 6
	/B	Yellow & White/Red	4 & 8
6 - Lead Unipolar BLD, TM Series	Phase 1	Black	1
	Phase 3	Orange	3
	Phase 2	Red	2
	Phase 4	Yellow	4
	Common Phase 1 & 3	White/Black & White/Orange	6 & 5
Common Phase 2 & 4	White/Red & White/Yellow	8 & 7	
Ground		Green/Yellow	Motor Frame



Step Angle Accuracy:	+/- 1.5%	Insulation Type:	Class B
Resistance Accuracy:	+/- 10%	Insulation Resistance:	100M ohms @ 500VDC
Full Step Angle:	1.8°	Max Radial Force:	20lbs
Ambient Temperature:	-20° C - 40° C	Max Axial Force:	13lbs