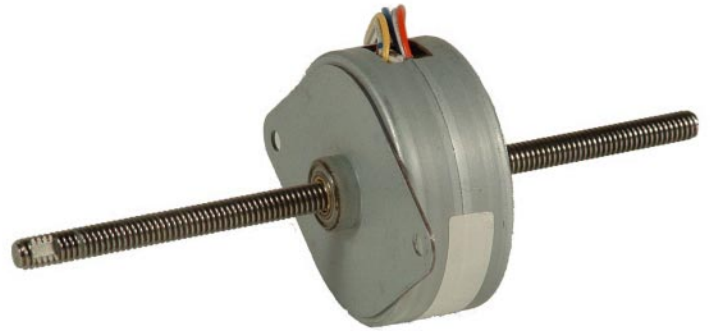


TSFNA57 Series Linear Actuator

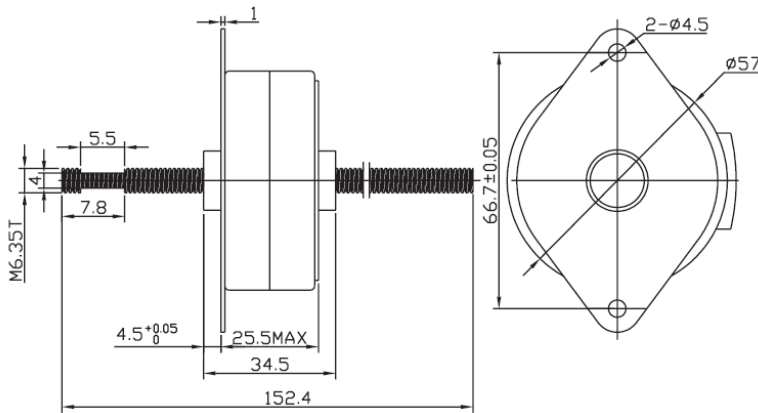


FEATURES

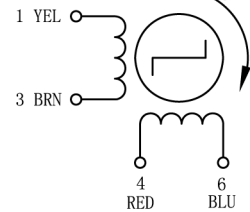
- **Cost Effective Linear Actuator**
- **Step Motor with Internal Conversion to Linear Output**
- **Up to 24 lb of Thrust**
- **Can be Customized for**
 - Screw Options
 - Leadwires
 - Cables and Connectors
- **CE Certified and RoHS Compliant**



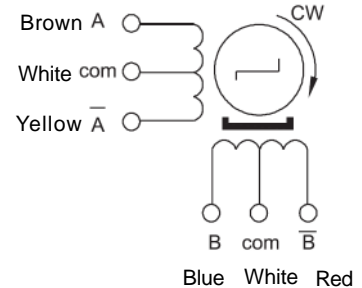
DIMENSIONS



Four Lead



Six Lead



SPECIFICATIONS

The TSFNA57 Linear Actuator is the perfect choice for cost effective linear motion. The stepper motor internally converts rotary motion to linear motion via a rotating bronze nut and a leadscrew. This actuator eliminates the need for other rotary-to-linear conversions such as belt and pulleys, rack and pinions, or external ball screws. Motion designs can be simplified, production costs lowered and product life enhanced. The motors can be customized to fit your machine requirements. The motor comes in a standard 6-lead or 4-lead configuration. We can also customize the winding to perfectly match your voltage, current, and maximum operating speed. Special screw modifications, cables and connectors are also available upon request.

Item #	Motor Size	Force (lb)	Bipolar Current (A)	Bipolar Voltage (V)	Unipolar Resistance (Ohms)	Unipolar Inductance (mH)	Travel Per Fullstep (inch)	# of Lead Wires	Weight (lbs)
TSFNA57-075-26-042-LW4	57mm	24	0.5	12	24	31	.005"	4	0.66
TSFNA57-075-26-023-LW6	57mm	24	0.32	16	50	116	.00098"	6	0.66

L010717