

TGM25-075-26

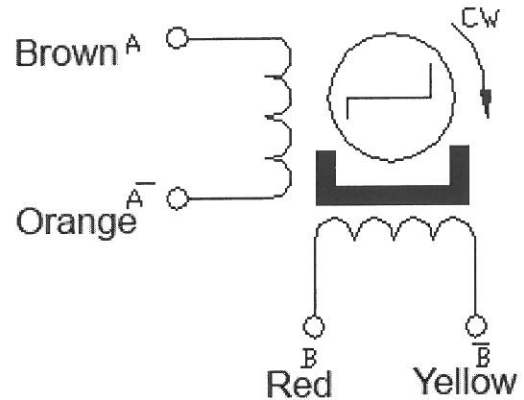


TGM25-075-26-3V-047A-10R-LW4

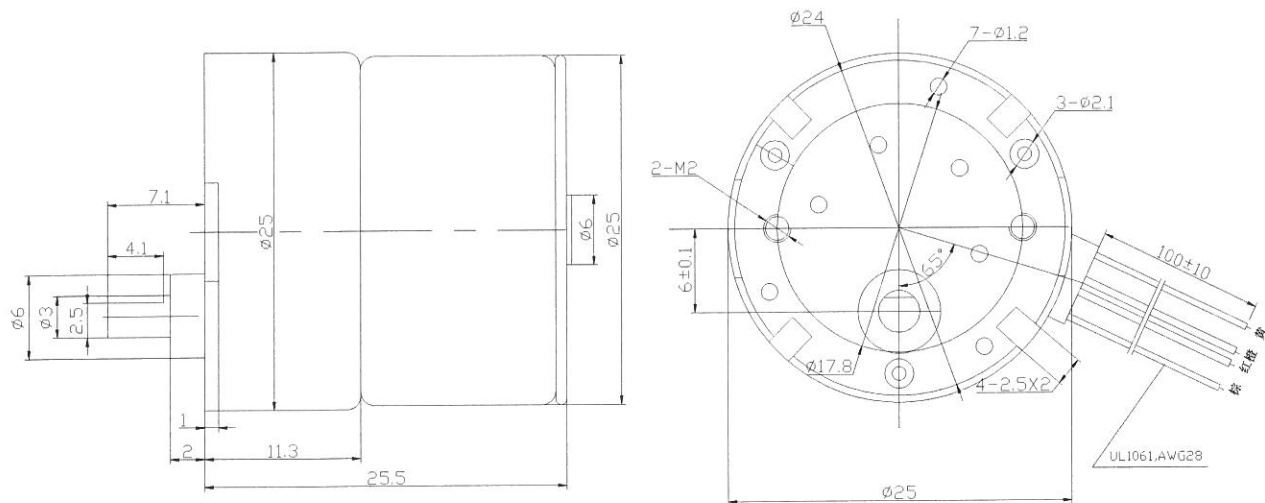
- Permanent Magnet Stepper Gear Motor
- High Torque in a Small Package at a Low Cost
- 1400 g-cm of Torque
- 10:1 Gear Ratio
- 25 mm Diameter

Specifications

Item	Specifications
Step Angle Accuracy	±7% (full step, no load)
Resistance Accuracy	±10%
Inductance Accuracy	±20%
Temperature Rise	80° C Max
Ambient Temperature	-20°C to +50°C
Insulation Resistance	100MΩ Min. ,500VDC
Dielectric Strength	500VAC for one minute



Model	Step Angle (deg)	Gear Ratio	# of Wires	Voltage (V)	Current per Phase (A)	Holding Torque (g.cm)	Detent Torque (g.cm)
TGM25-075-26-3V-047A-10R-LW4	7.5	10:1	4	2.8	0.467	1400	500



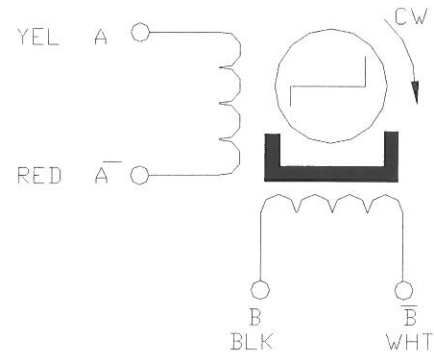
TGM25-075-26-3V-052A-5R-LW4



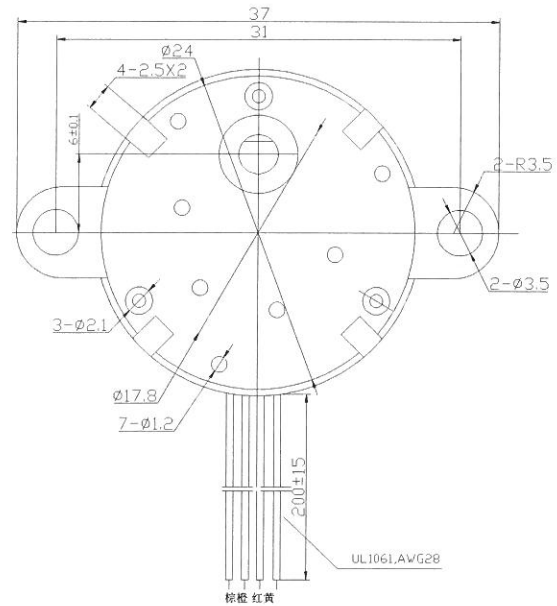
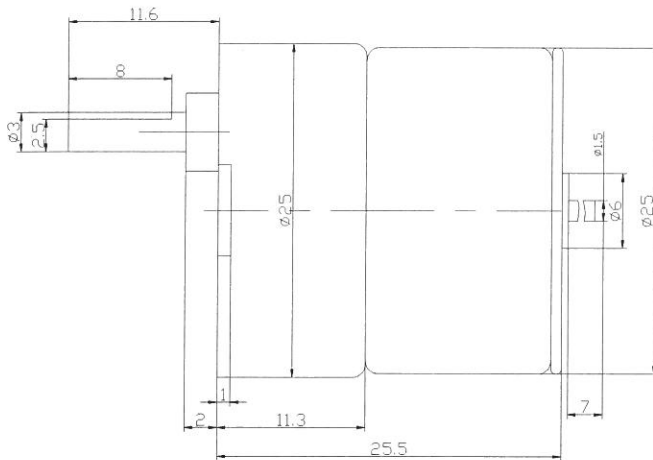
- Permanent Magnet Stepper Gear Motor
- High Torque in a Small Package at a Low Cost
- 450 g-cm of Torque
- 5:1 Gear Ratio
- 25 mm Diameter

Specifications

Item	Specifications
Step Angle Accuracy	±7% (full step, no load)
Resistance Accuracy	±10%
Inductance Accuracy	±20%
Temperature Rise	80° C Max
Ambient Temperature	-20°C to +50°C
Insulation Resistance	100M Ω Min. ,500VDC
Dielectric Strength	500VAC for one minute



Model	Step Angle (deg)	Gear Ratio	# of Wires	Voltage (V)	Current per Phase (A)	Holding Torque (g.cm)	Detent Torque (g.cm)
TGM25-075-26-3V-052A-5R-LW4	7.5	5:1	4	2.6	0.52	450	150



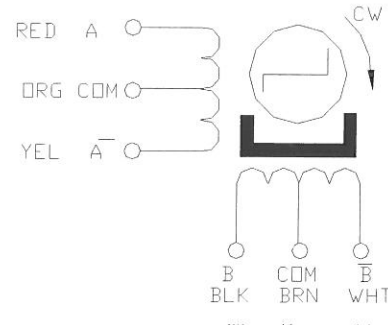
TGM25-075-26-13V-011A-30R-LW6



- Permanent Magnet Stepper Gear Motor
- High Torque in a Small Package at a Low Cost
- 4000 g-cm of Torque
- 30:1 Gear Ratio
- 25 mm Diameter

Specifications

Item	Specifications
Step Angle Accuracy	±7% (full step, no load)
Resistance Accuracy	±10%
Inductance Accuracy	±20%
Temperature Rise	80° C Max
Ambient Temperature	-20°C to +50°C
Insulation Resistance	100M Ω Min. ,500VDC
Dielectric Strength	500VAC for one minute



Model	Step Angle (deg)	Gear Ratio	# of Wires	Voltage (V)	Current per Phase (A)	Holding Torque (g.cm)	Detent Torque (g.cm)
TGM25-075-26-13V-011A-30R-LW6	7.5	30:1	6	13.3	0.11	4000	1400

