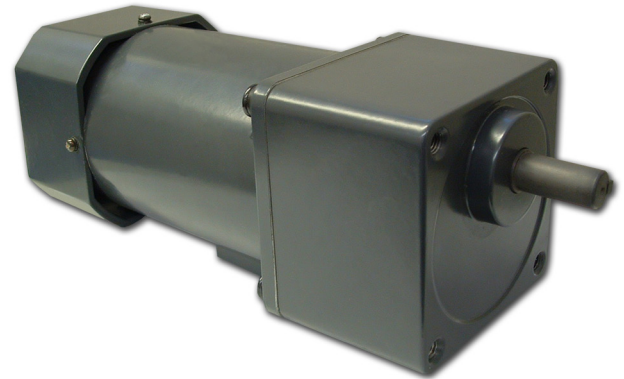


ACWGM090-090-140 AC Gearmotor

FEATURES

- AC Gearmotor
- 90mm Motor Diameter
- Up to 4248 oz-in of Torque
- Fourteen Gear Ratios from 3.6 to 180
- Can be Customized for
 - Winding Current
 - Shaft Options
 - Cables and Connector Adders



DESCRIPTION

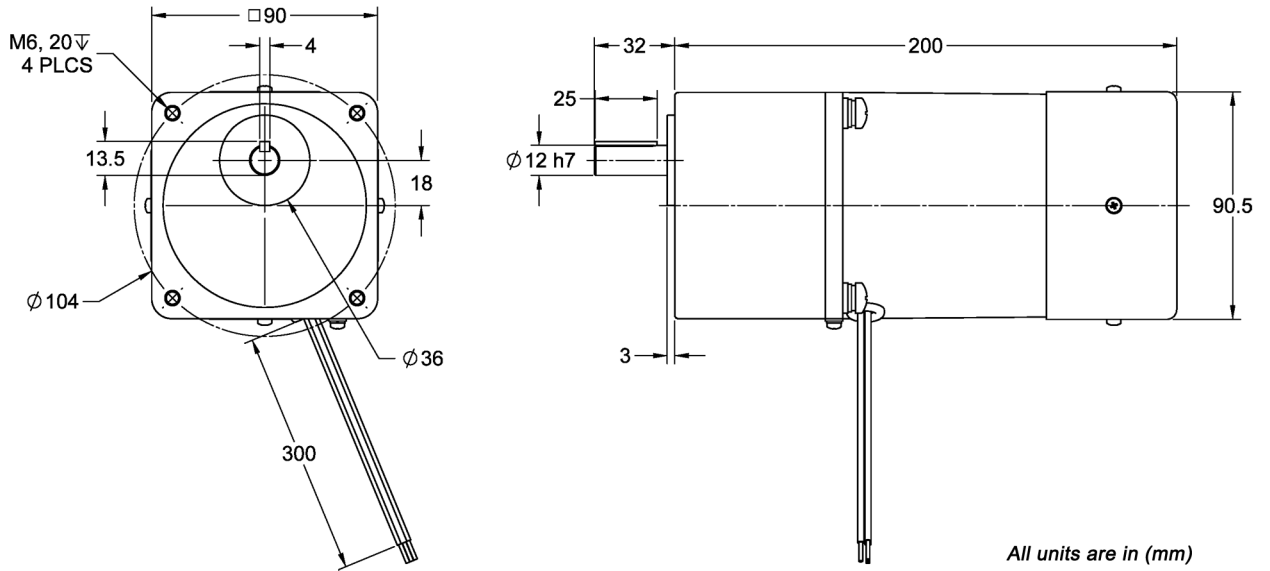
Anaheim Automation's AC Gearmotors come in a variety of starting torques, ending torques and current. The ACWGM090-090-140 AC Gearmotor has a starting torque of 67 oz-in. This series is available in the fourteen gear ratios ranging from 3.6 to 180. These motors run at up to 500 RPM with single phase 110 VAC, 60 Hz. The ACWGM090-090-140 offers torque ranges up to 4248 oz-in. Other models are available to provide even higher torque ranges. Custom options for the AC Gearmotor line include optimizing the maximum speed, torque, current, voltage, cabling, wiring, connectors, and shaft modifications.

SPECIFICATIONS

Model #	Input Voltage (VAC)	Gear Ratio	Power (W)	Current (A)	Motor Speed (RPM)	Start Torque (oz-in)	Rated Torque (oz-in)	Motor Diameter (mm)	Motor Length (mm)	Weight (lbs)
ACWGM090-090-140-110-1550-R3.6	110	3.6	90	1.4	500	66.84	226.58	90	203	5.51
ACWGM090-090-140-110-1550-R6	110	6	90	1.4	300	66.84	379.52	90	203	5.51
ACWGM090-090-140-110-1550-R9	110	9	90	1.4	200	66.84	567.86	90	203	5.51
ACWGM090-090-140-110-1550-R10	110	10	90	1.4	180	66.84	635.84	90	203	5.51
ACWGM090-090-140-110-1550-R15	110	15	90	1.4	120	66.84	858.17	90	203	5.51
ACWGM090-090-140-110-1550-R18	110	18	90	1.4	100	66.84	1023.85	90	203	5.51
ACWGM090-090-140-110-1550-R20	110	20	90	1.4	90	66.84	1144.22	90	203	5.51
ACWGM090-090-140-110-1550-R30	110	30	90	1.4	60	66.84	1706.42	90	203	5.51
ACWGM090-090-140-110-1550-R36	110	36	90	1.4	50	66.84	2047.71	90	203	5.51
ACWGM090-090-140-110-1550-R40	110	40	90	1.4	45	66.84	2287.03	90	203	5.51
ACWGM090-090-140-110-1550-R60	110	60	90	1.4	30	66.84	3087.14	90	203	5.51
ACWGM090-090-140-110-1550-R90	110	90	90	1.4	20	66.84	4248.36	90	203	5.51
ACWGM090-090-140-110-1550-R120	110	120	90	1.4	15	66.84	4248.36	90	203	5.51
ACWGM090-090-140-110-1550-R180	110	180	90	1.4	10	66.84	4248.36	90	203	5.51

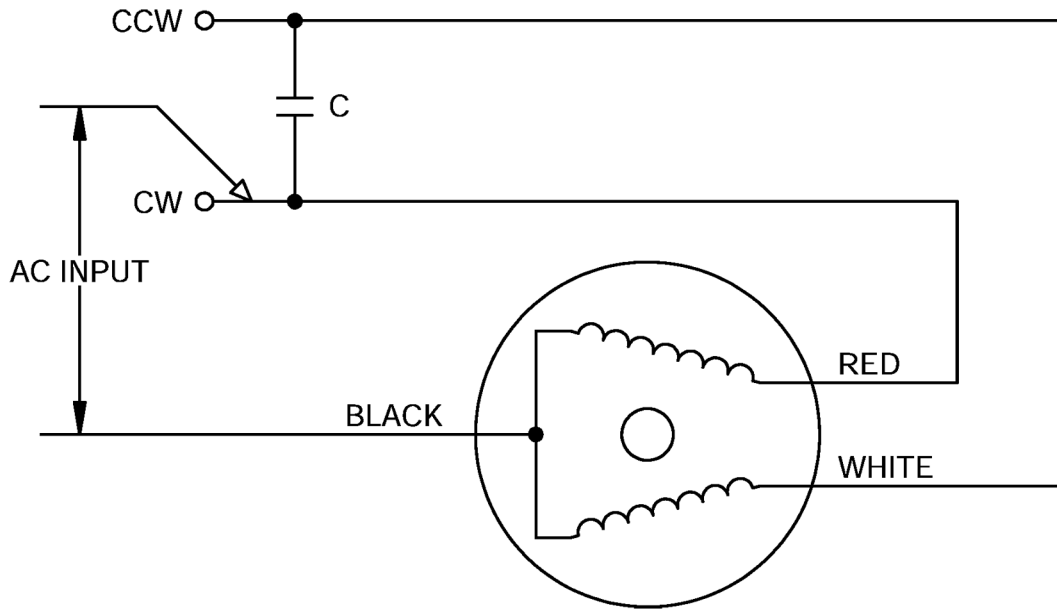
L010495

DIMENSION



All units are in (mm)

WIRING INFORMATION



SPECIFICATIONS

Capacitor: $\mu\text{F}/\text{VAC}$	25 / 250	Phase:	Single-Phase
Frequency:	60Hz	AC Motor Type:	Reversible
Radial Play:	99.21lb - Force @ 20mm	Operating Temperature	10°F to 131°F
Thrust Play:	22.05lb - Force	Humidity:	90%