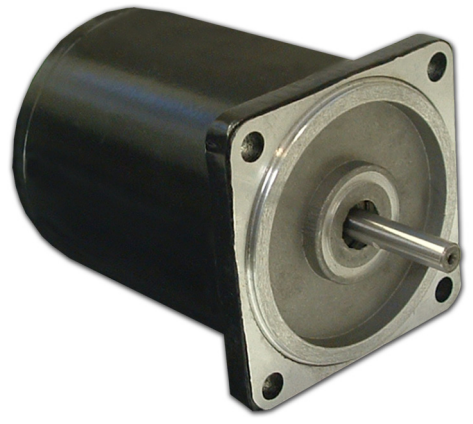


ACW015-070-080 - Single Phase AC Motor

FEATURES

- **Single Phase AC Motor**
- **Torque Up to 17.3 oz-in**
- **70mm Motor Diameter**
- **15 Watts of Power**
- **Can be Customized for**
 - **Winding Current**
 - **Shaft Options**
 - **Cables and Connectors**



DESCRIPTION

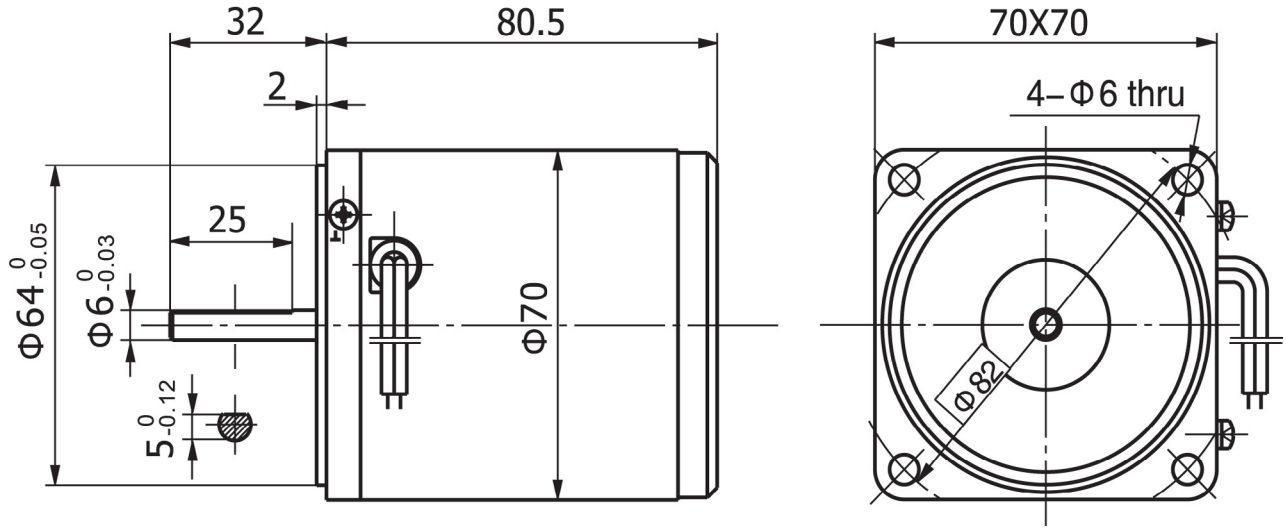
Anaheim Automation's single phase AC motors come in a variety of starting torques, rated torques and current. The ACW015-070-080 AC Motor has a starting torque of 15.6 oz-in. They run up to 1500 RPM with single phase 110 VAC, 60 Hz. The ACW015-070-080 offers torque ranges up to 17.3 oz-in. Other models are also available with a gearbox to provide even higher torques. Custom options for the Single Phase AC Motor line include optimizing the maximum speed, torque, current, voltage, cabling, wiring, connectors, and shaft modifications.

SPECIFICATIONS

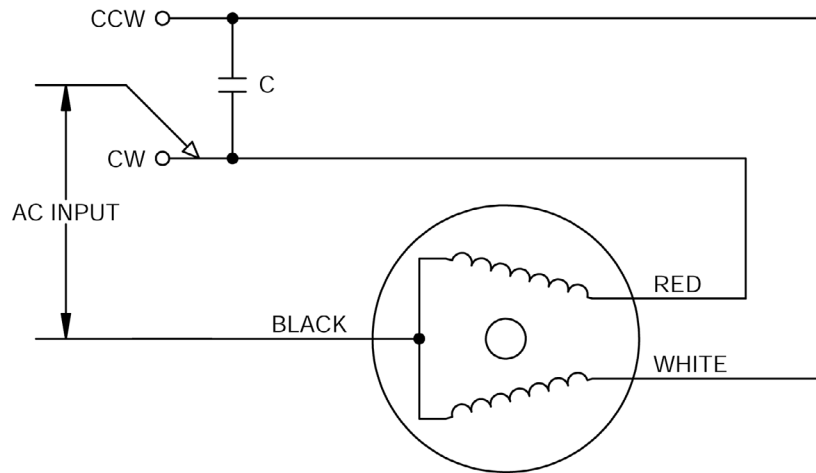
Model #	Input Voltage (VAC)	Power (W)	Current (A)	Motor Speed (RPM)	Start Torque (oz-in)	Rated Torque (oz-in)	Motor Diameter (mm)	Motor Length (mm)	Weight (lbs)
ACW015-070-080-110-1500	110	15	0.4	1500	15.6	17.3	70	80	2.43

L010502

DIMENSIONS



WIRING DIAGRAM



SPECIFICATIONS

Capacitor: uF/VAC	5 / 250	Phase:	Single-phase
Frequency:	60Hz	AC Motor Type:	Reversible
Radial Play:	33.07lb - Force @ 20mm	Operating Temperature:	10° F to 131° F
Thrust Play:	8.82lb - Force	Humidity:	90%