

ACI-PMAB020 AC Industrial Motor



FEATURES

- 200 Watts
- IEC Frame Size 63
- Three Phase AC Motor
- Insulation Class F
- Rugged Exterior: IP55 Rated
- Foot (leg) Mount OR Flange Mount
- Duty Rating: Continuous
- Total Enclosed Fan Cooled



DESCRIPTION

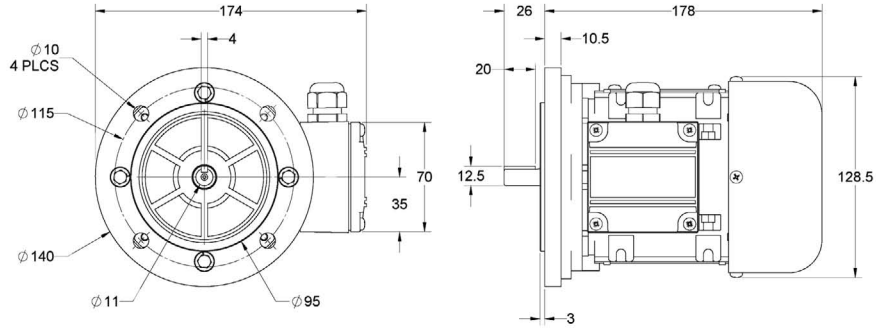
Anaheim Automation's AC Industrial Motors come in two different mounting options: Leg (foot) mount and the flange mount option. Both the ACI PMAB020-4R4LAT and the ACI-PMAB020-4R4FAT run up to 1,634 RPM and deliver 200 Watts of power. All of our ACI-PMAB020 AC Industrial motors are 3 phase, and can be wired to run off of 220VAC or 380VAC at a frequency of 60Hz supply.

SPECIFICATIONS

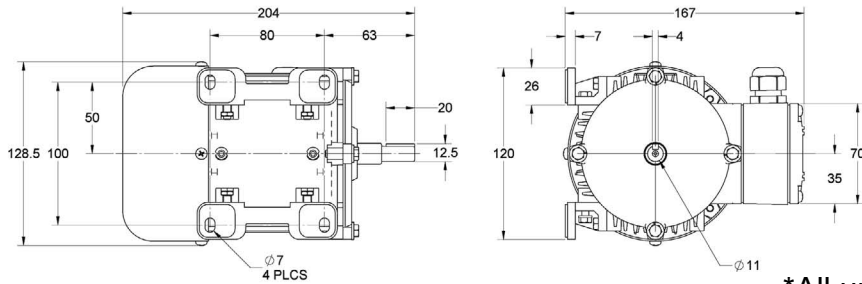
Model #	Input Voltage (VAC)	Mounting Type	Power (W)	Rated Motor Speed (RPM)	Rated Motor Torque (oz-in)	Motor Length (mm)	Weight (lbs)	IP Rating	Motor Poles	Insulation Class
ACI-PMAB020-4R4LAT	220/380	Foot (leg)	200	1634	170	181	9.56	IP55	4	F
ACI-PMAB020-4R4FAT	220/380	Flange	200	1634	170	181	9.56	IP55	4	F

L010773

Flange

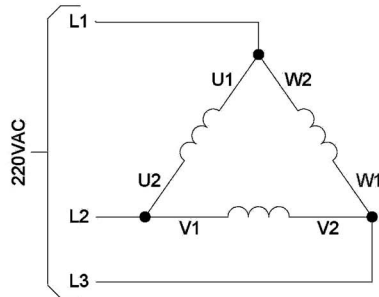


Foot (leg)

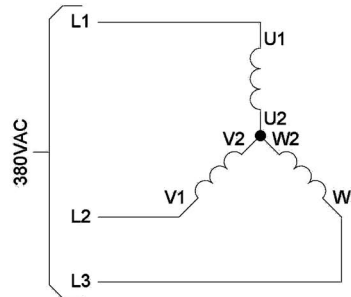


*All units are in mm

220VAC WIRING FOR ACI-PM MOTORS



380VAC WIRING FOR ACI-PM MOTORS



Capacitor: uF/VAC	Not Required	Duty Cycle:	Continuous
Phase:	Three-Phase	Ambient Temp:	-10°C ~ 40°C
Frequency:	60Hz	Ambient Humidity:	Under 85% without Condensation
AC Motor Type	Industrial	Insulation Rating	F (155°C)