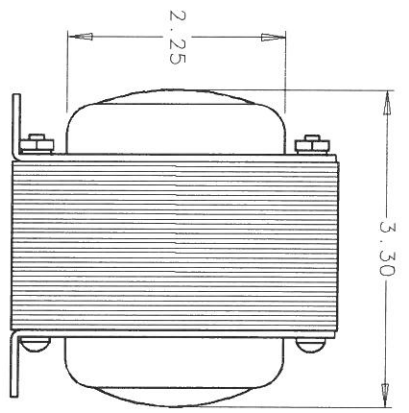
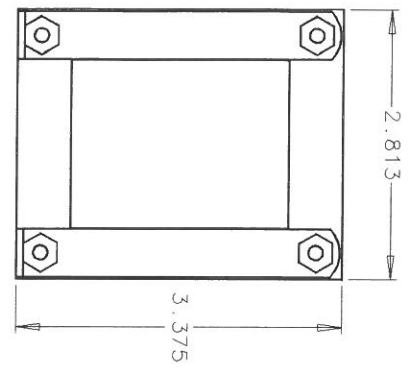
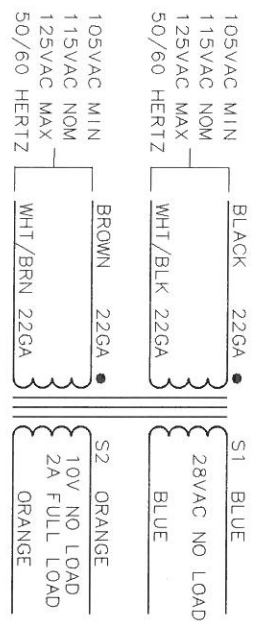
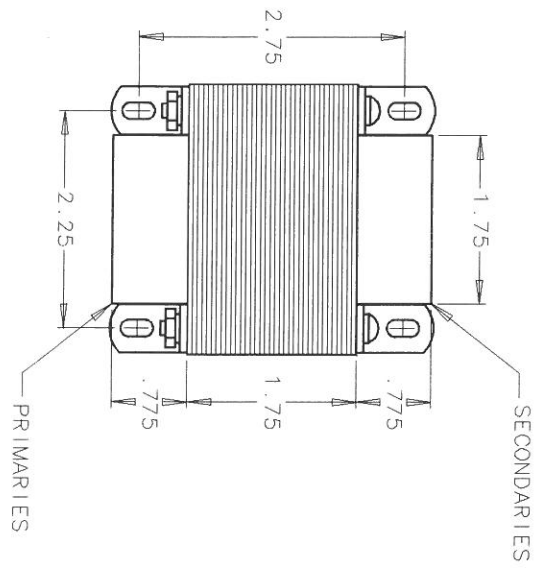


REVISIONS		
REV	DESCRIPTION	DATE APPROVED



AA2784
 ANAHEIM AUTOMATION
 (714) 992-6990
 DATE

TRANSFORMER LABEL

1. MAKE PRIMARY LEADS APPROXIMATELY 12 INCHES LONG.
2. MAKE SECONDARY LEADS APPROXIMATELY 12 INCHES LONG.
3. APPROXIMATE WEIGHT 5 POUNDS.
4. USE GRAIN ORIENTED (M6) LAMINATION MATERIAL.

TOLERANCES UNLESS OTHERWISE SPECIFIED .XX ± .010 .XXX ± .005 ANGLES ± .5 DEG.		APPROVALS DATE DESIGNED BY: T. D. RAINES 4/18/95 APPROVED:	
FINISH MATERIAL:		TITLE TRANSFORMER, 200VA	
THIS DRAWING OR DOCUMENT IS THE PROPERTY OF ANAHEIM AUTOMATION AND IS TO BE KEPT IN CONFIDENTIALITY. IT IS TO BE RETURNED TO ANAHEIM AUTOMATION UPON REQUEST.		SIZE DRAWING NO. C AA2784	
REFERENCE DRAWINGS:		SCALE: 1/8" = 1" SHEET 1 OF 2	

ANAHEIM AUTOMATION
 ANAHEIM, CA. 92801