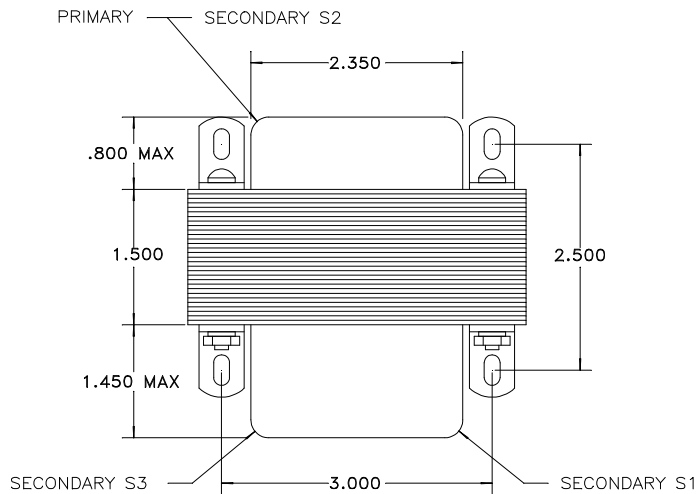
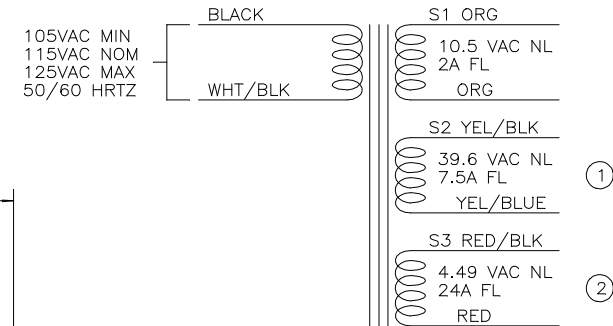
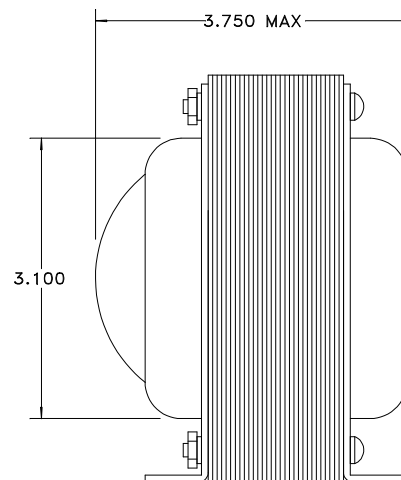
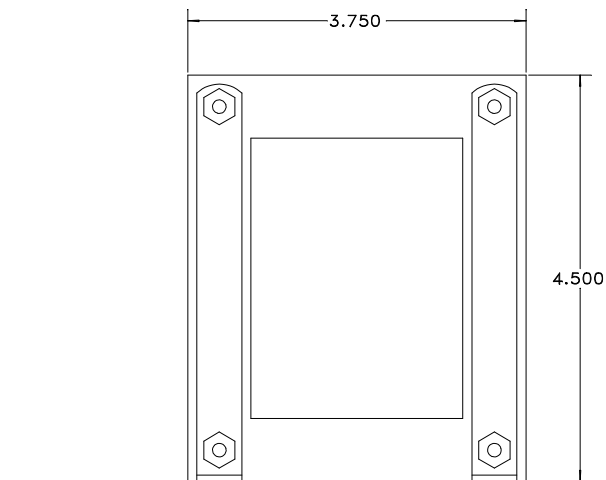


REVISIONS			
REV	DESCRIPTION	DATE	APPROVED



AA2791
 ANAHEIM AUTOMATION
 (714) 992-6990
 DATE

TRANSFORMER LABEL



NOTES:

- ① SECONDARY S2 SHOULD BE WOUND NEXT TO THE CORE AND DESIGNED FOR THE HIGHEST POSSIBLE VA RATING. ASSUME S2 IS THE ONLY SECONDARY IN USE.
- ② THE PRIMARY TO SECONDARY TURNS RATIO SHOULD BE DESIGNED TO PROVIDE 4.49 VOLTS ON S3 WITH 115 VAC APPLIED.
3. MAKE ALL LEADS APPROXIMATELY 14 INCHES LONG.
4. MAKE ALL LEAD WIRES 16 GAUGE.
5. APPROXIMATE WEIGHT 9 POUNDS.
6. USE GRAIN ORIENTED M6 LAMINATION MATERIAL.

		ANAHEIM AUTOMATION 910 EAST ORANGEFAIR LANE ANAHEIM, CA. 92801-1195	
		TITLE TRANSFORMER	
<small>THIS DRAWING OR DOCUMENT AND THE INFORMATION SET FORTH HEREIN ARE THE PROPERTY OF ANAHEIM AUTOMATION AND SHALL NOT BE USED OR DISCLOSED EXCEPT IN ACCORDANCE WITH ITS WRITTEN PERMISSION.</small>		SIZE C	DATE 1-1-90
REFERENCE DRAWINGS <small>UNLESS OTHERWISE SPECIFIED: ALL DIMS XXX +/- .005 XXXX +/- .010 ANGLES +/- 5 DEGREES</small>	MATERIAL FINISH	DRAWN APPROVED	DRAWING NO. AA2791
SCALE 1:1		MODEL	SHEET OF