

PRONET to EMJ, EMG, & EML Servo Cables



The following cables are recommended for use in connecting PRONET servo drives to EMJ, EMG, and EML series servo motors.

DESCRIPTION

SPECIFICATIONS

Item	Description	Matching Product	Length (in)	# of Leads
PDM-JE18-01M5	Power Cable	PRONET-AEA-EC Servo Drive to EMJ-A5A, EMJ-01A, EMJ-02A, EMJ-02B, EMJ-04A, EMJ-04B, EMJ-08A, and EMJ-10A Servo Motors	39	Plug
PDM-JE18-05	Power Cable	PRONET-02/04AEA-EC to EMJ-02/04ASA and PRONET-08/10AEA-EC to EMJ-08/10ASA, PRONET-02AMG to EMJ-02ASA/EMJ-02AFA, PRONET-04AMG to EMJ-04ASA/EMJ-04ASH/EMJ-04AFB/EMJ-04AFH, PRONET-08AMG to EMJ-08ASB/EMJ-08AFB, PRONET-10AMG to EMJ-10ASB/EMJ-10AFB PRONET-AEA-EC Servo Drive to EMG-20APA Servo Motor	196	Plug
PDM-GA14-05-II	Power Cable	PRONET-E-20A to EMG-20APB and PRONET-20-AEA-EC to EMG-20ASB, PRONET-10AMG to EML-10ASB22/EML-10AFB22, PRONET-10AMG to EMG-10ASB22/EMG-10AFB22, PRONET-15AMG to EMG-15ASB22/EMG15AFB22, PRONET-20AMG to EMG-20ASB22/EMG-20AFB22	196	Plug
PDMB-GA14-05-II	Power/Brake Cable	PRONET-E-10A- EMG/EML-10APB, PRONET-15AEA-EC- EMG-15ASB, PRONET-E-15A- EMG-15APB, PRONET-E-20A- EMG-20APB, PRONET-20AEA-EC- EMG-20ASB, PRONET-10AMG- EML-10ASB24/EMG-10ASB24, PRONET-15AMG- EMG-15ASB24, PRONET-20AMG- EMG-20ASB24	196	Plug
PDM-GD12-05	Power Cable	PRONET-E-50A to EML-40APA/EMG-50APA, PRONET-E-30A to EMG/EML-30APA PRONET-30/50AEA-EC to EMG-30/50ASA, PRONET-20AMG to EML-20ASA/AFA, PRONET-30AMG to EML-30ASA/AFA/EMG-30ASA/AFA, PRONET-50AMG to EML-40ASA/AFA/EMG-50ASA/AFA	196	Plug

PRONET to EMJ, EMG, & EML Servo Cables



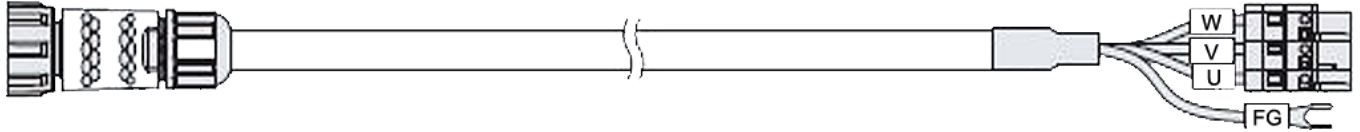
The following cables are recommended for use in connecting PRONET servo drives to EMJ, EMG, and EML series servo motors.

DESCRIPTION

SPECIFICATIONS

Item	Description	Matching Product	Length (in)	# of Leads
PDM-JB18-05	Power Cable	PRONET-E-[2/4/8/10]A to EMJ-[2/4/8/10]AP	196	Plug
PBK-JE18-05	Brake Cable	PRONET-02AMG Servo Drive to EMJ-02ASA/EMJ-02AFA, PRONET-04AMG to EMJ-04ASA/EMJ-04ASH/EMJ-04AFB/EMJ-04AFH, PRONET-08AMG to EMJ-08ASB/EMJ-08AFB, and PRONET-10AMG to EMJ-10ASB/EMJ-10AFB Motors	196	2
PDP-JE24-05	Absolute Encoder Cable	Absolute Encoder Cable for PRONET-02AMG Servo Drive to EMJ-02ASA, PRONET-04AMG to EMJ-04ASA/EMJ-04ASH, PRONET-08AMG to EMJ-08ASB, and PRONET-10AMG to EMJ-10ASB Motors	196	Plug
PDP-GA24-05-II	Absolute Encoder Cable	Absolute Encoder Cable for PRONET-10AMG Servo Drive to EMG-10ASB/EML-10ASB, PRONET-15AMG to EMG-15ASB, PRONET-20AMG to EMG-20ASB Motors	196	Plug
PDP-GA24-05	Absolute Encoder Cable	Absolute Encoder Cable for PRONET-20AMG to EML-20ASA, PRONET-30AMG to EMG-30ASA/EML-30ASA, and PRONET-50AMG to EMG-50ASA/EML-40ASA Motors	196	Plug
PBP-JE24-05	Encoder Cable	Encoder Cable for PRONET-02AMG to EMJ-02AFA, PRONET-04AMG to EMJ-04AFB/EMJ-04AFH, PRONET-08AMG to EMJ-08AFB, and PRONET-10AMG to EMJ-10AFB Motors	196	Plug

PDM-JE18-01M5 and PDM-JE18-05



DESCRIPTION

Motor Side		Drive Side	
Pin	Signal	Pin	Signal
1	U	1	U
2	V	2	V
3	W	3	W
4	FG	Crimping Terminal	FG

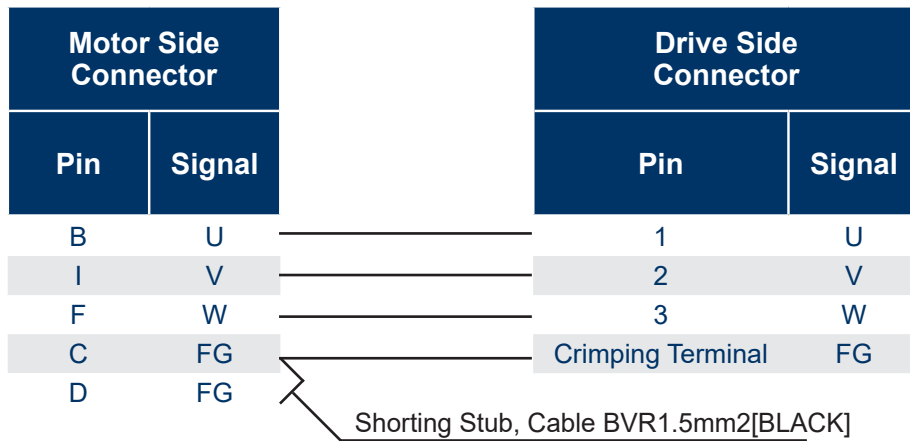
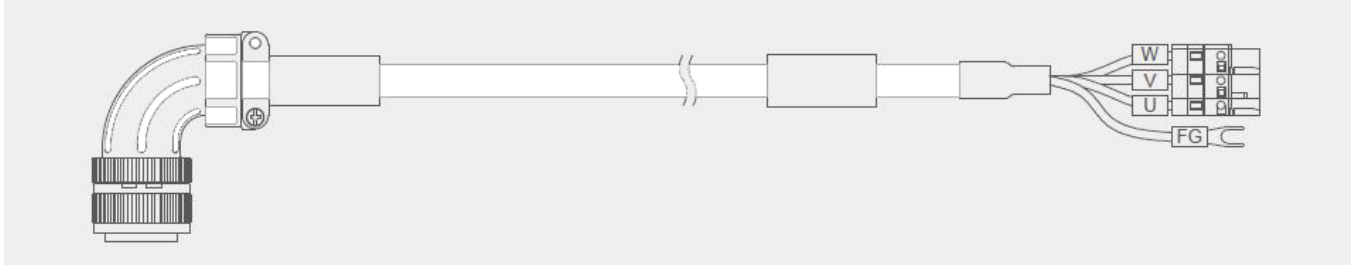
SPECIFICATIONS

Motor Side Connector	
Crimping Contact Hole	CGRSB-4BMFA-SL8001
<p>View from Pins Press-in Side</p>	

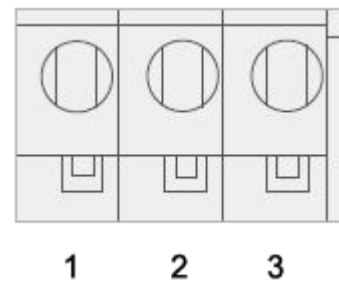
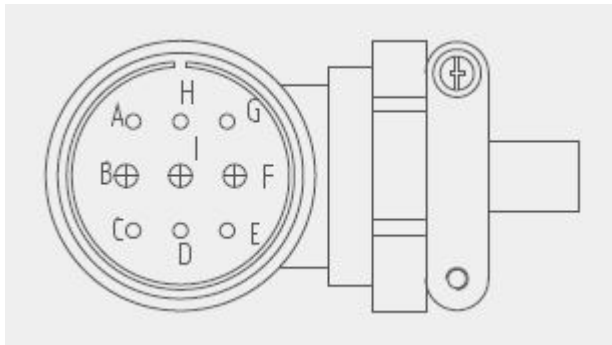
Motor Side Connector	
Plug Crimping Terminal Pin	8EDGKB-7.5-03P-11-01AH Fork Bare End, M4/SV1.5-4 VE-1.0
<p>View from Cable Outlet Side</p>	

DESCRIPTION

PDM-GA14-05-II

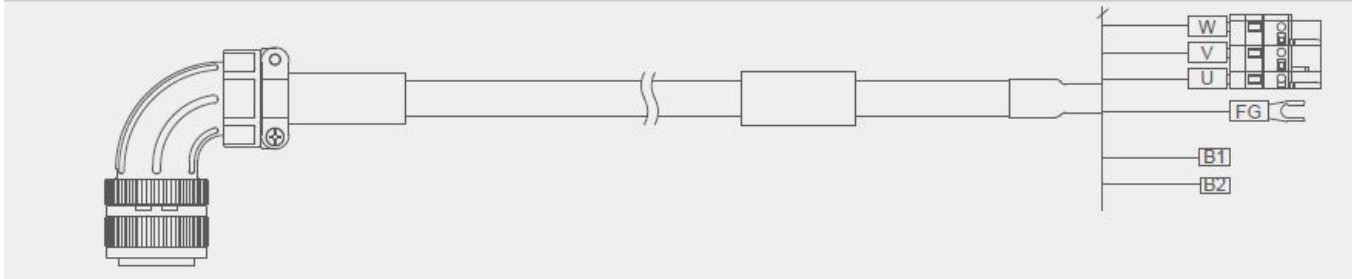


SPECIFICATIONS



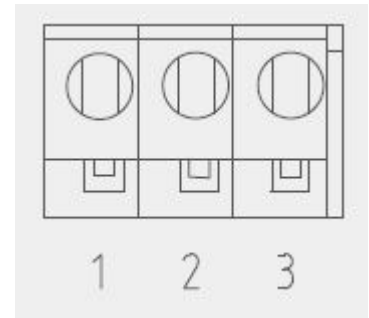
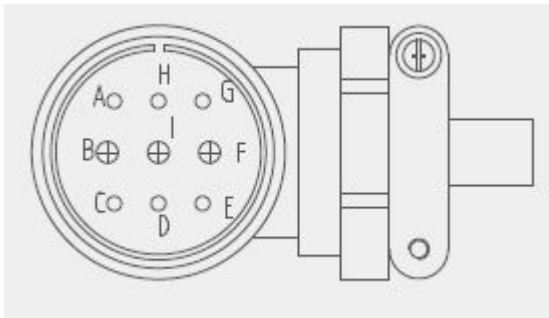
DESCRIPTION

PDMB-GA14-05-II



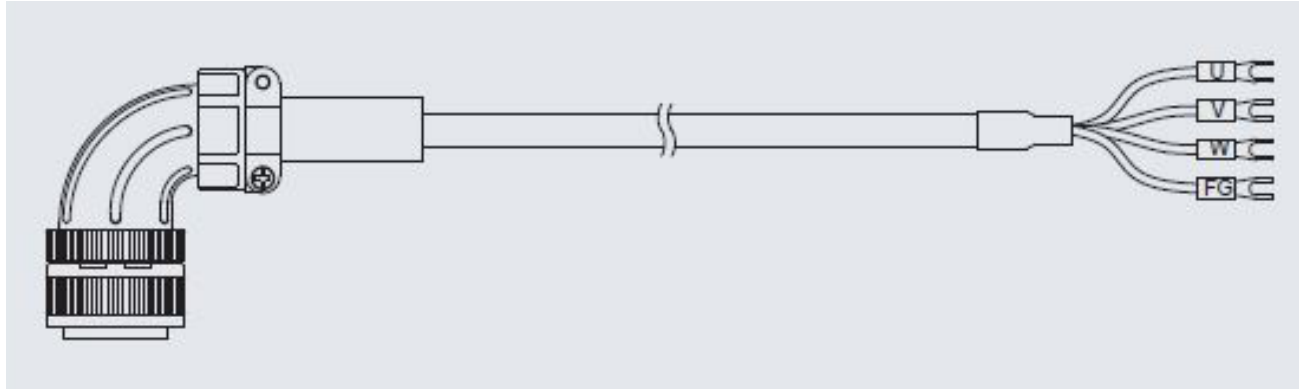
Motor Side Connector		Drive Side Connector	
Pin	Signal	Pin	Signal
B	U	1	U
I	V	2	V
F	W	3	W
C	FG		Crimping Terminal FG
D	FG	Shorting Stub, Cable BVR1.5m	
G	B1		B1
H	B2		B2

SPECIFICATIONS



DESCRIPTION

PDM-GD12-05



SPECIFICATIONS

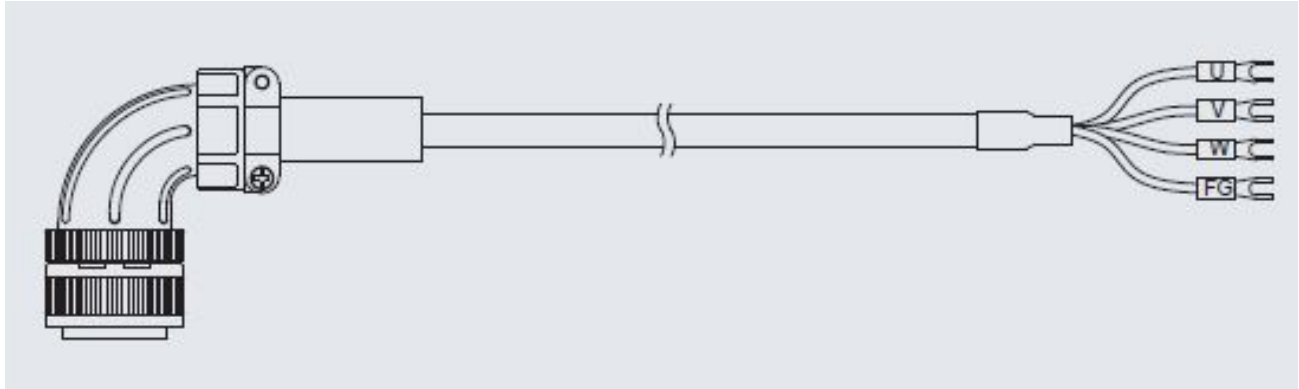
Motor Side		Drive Side	
Pin	Signal	Pin	Signal
A	U	Crimping Terminal	U
B	V	Crimping Terminal	V
C	W	Crimping Terminal	W
D	FG	Crimping Terminal	FG

Motor Side Connector	
Plug	HMS310B22-22S
View from Pins Press-in Side	

Motor Side Connector	
Crimping Terminal	Fork Bare End, M4/SV2-4

DESCRIPTION

PDM-JB18-05



Motor Side		Drive Side	
Pin	Signal	Pin	Signal
1	U	1	U
2	V	2	V
3	W	3	W
4	FG	Crimping Terminal	FG

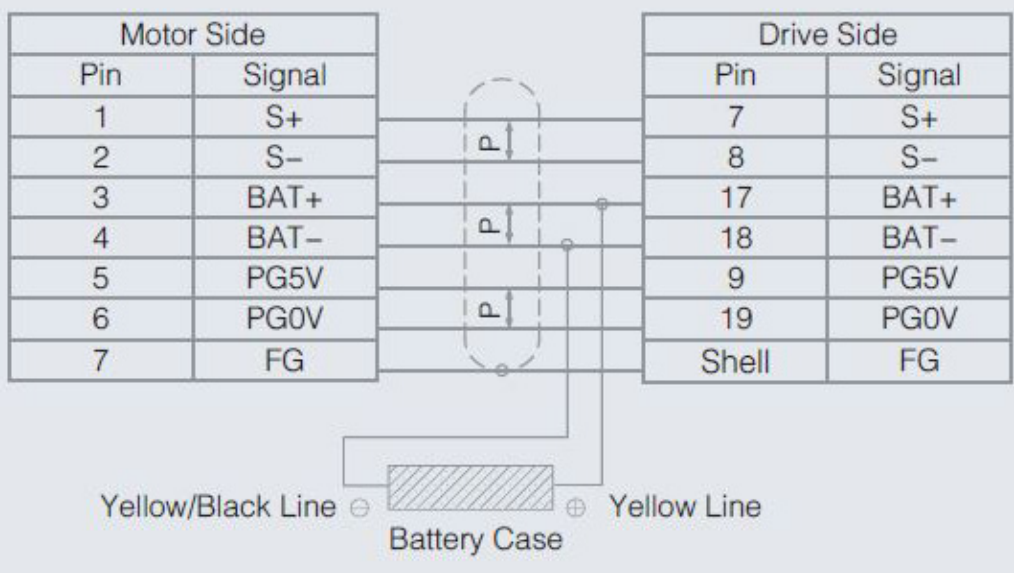
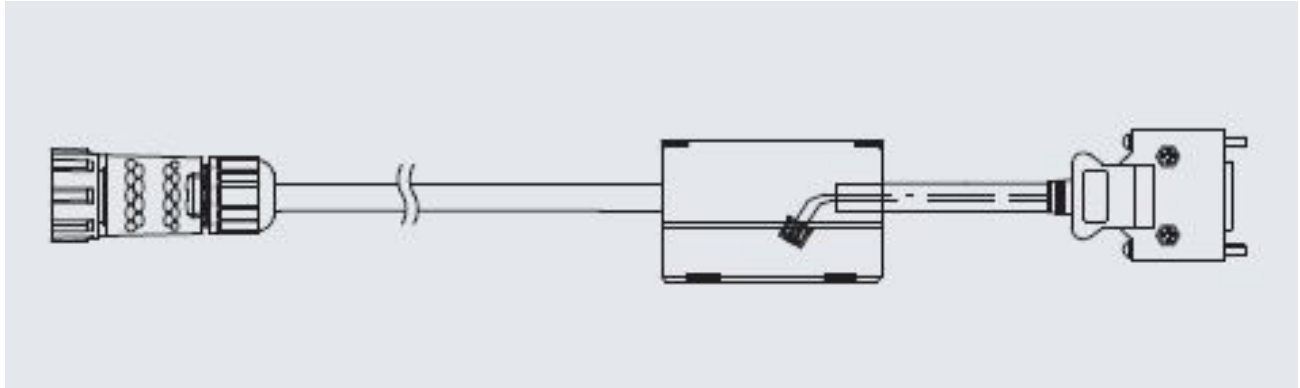
SPECIFICATIONS

Motor Side Connector	
Crimping Shell (Receptacle)	172159-1
Crimping Contact (Hole)	170362-1
View from Pins Press-in Side	

Motor Side Connector	
Plug	8EDGKB-7.5-03P-11-06AH
Crimping Terminal Pin	Fork Bare End, M4/SV1.5-4 VE-1.0
View from Cable Outlet Side	

DESCRIPTION

PDP-JE24-05



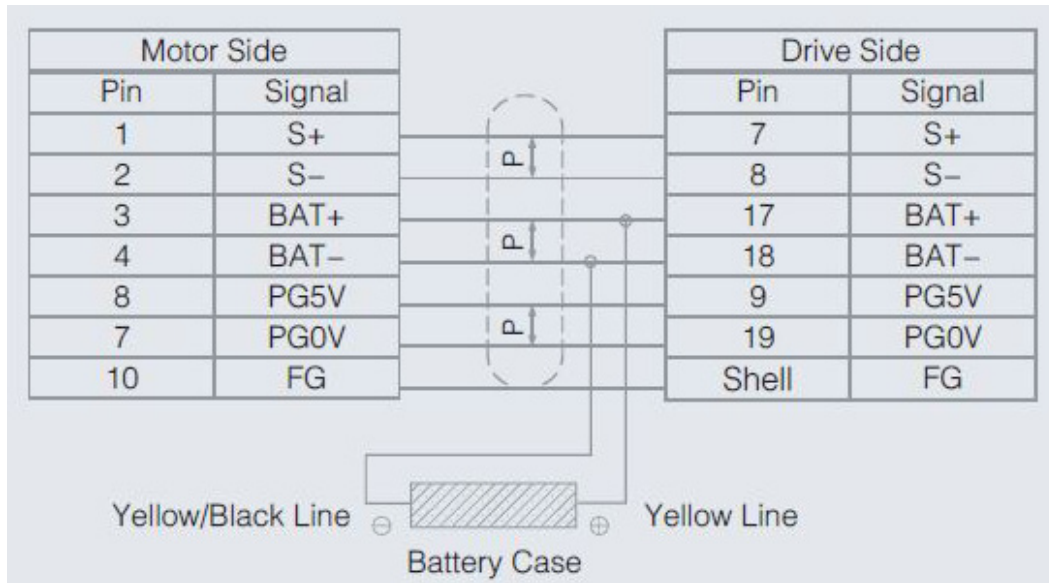
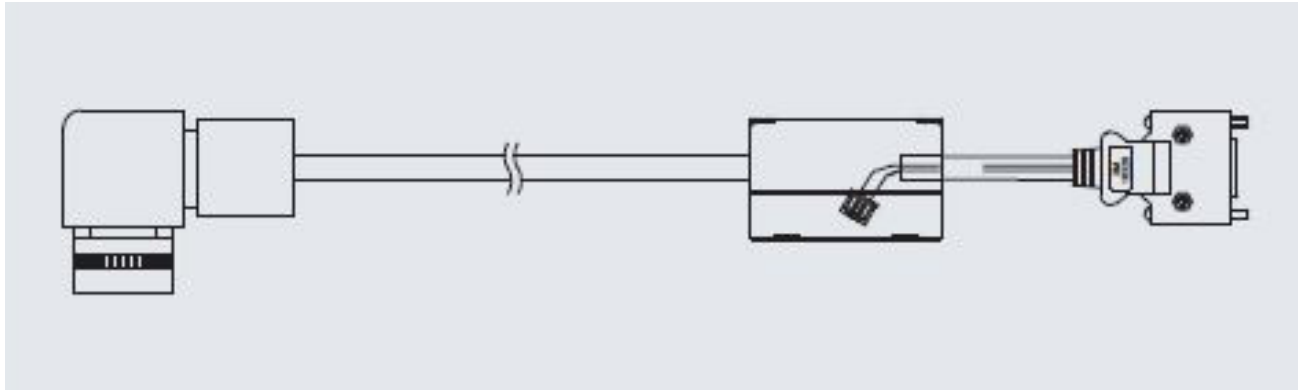
SPECIFICATIONS

Motor Side Connector	
Plug (Hole)	CGRSD-7BMFA-SL8001
View from Pins Press-in Side	

Motor Side Connector	
Plug	10120-300PE
Plug (Shell)	10320-52A0-008
Rubber Ring	Diameter 9 Receptacle Outlet Rubber Ring
View from Soldering Side	

DESCRIPTION

PDP-GA24-05-II



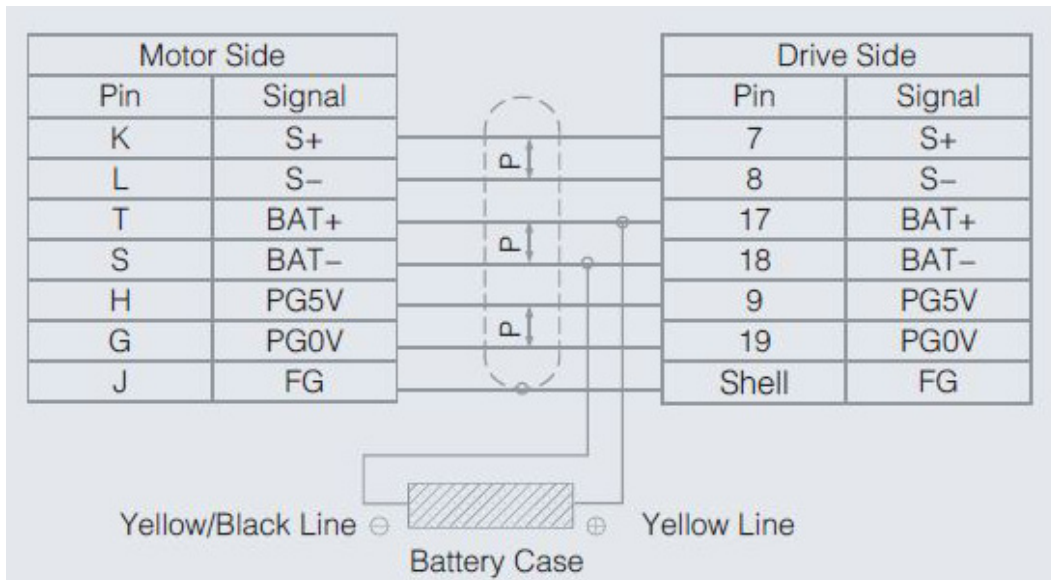
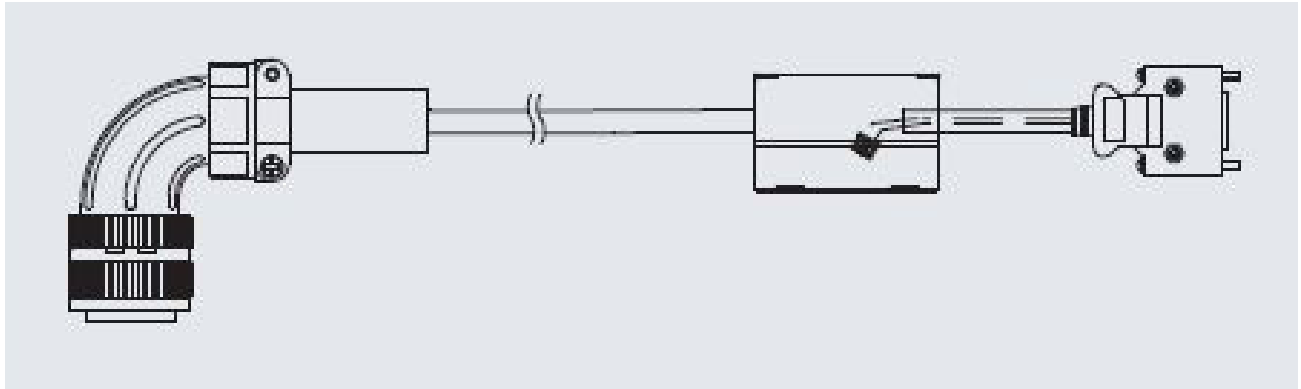
SPECIFICATIONS

Motor Side Connector	
Plug (Hole)	SC-CMV1-AP10S-C
View from Pins Press-in Side	

Motor Side Connector	
Plug	10120-300PE
Plug (Shell)	10320-52A0-008
Rubber Ring	Diameter 9 Receptacle Outlet Rubber Ring
View from Soldering Side	

DESCRIPTION

PDP-GA24-05-II



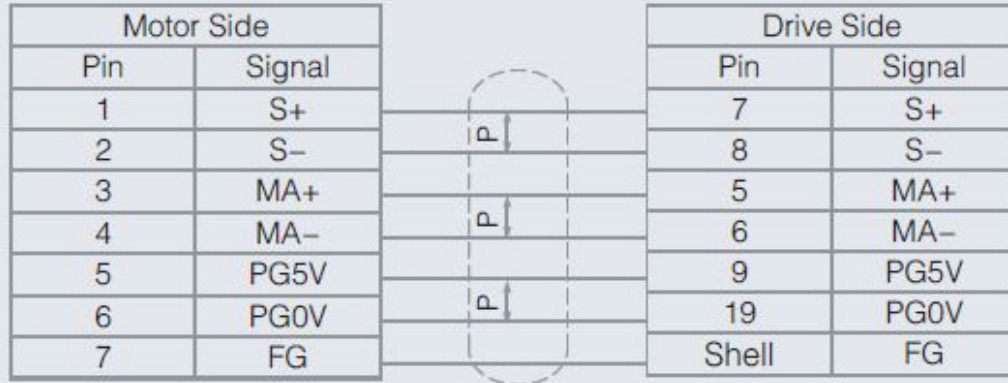
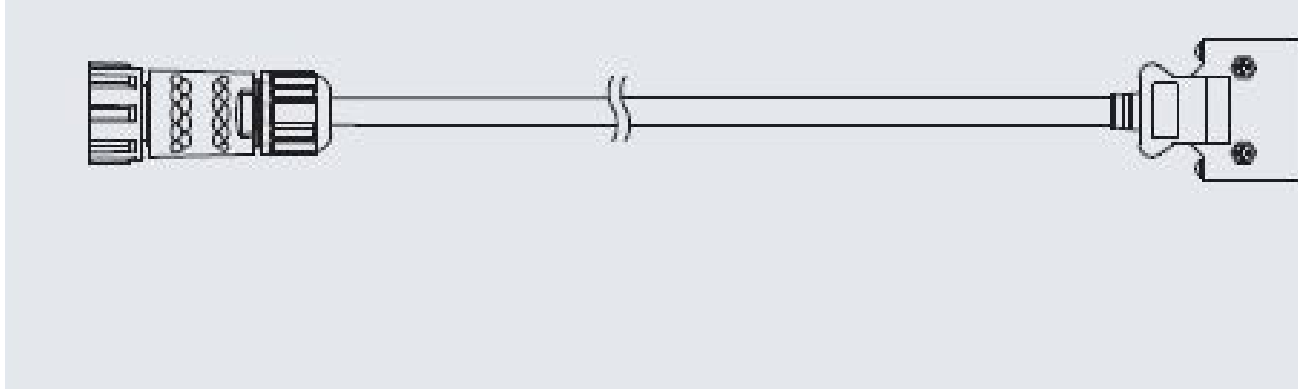
SPECIFICATIONS

Motor Side Connector	
Plug (Hole)	HMS-3108B20-29S
View from Pins Press-in Side	

Motor Side Connector	
Plug	10120-300PE
Plug (Shell)	10320-52A0-008
Rubber Ring	Diameter 9 Receptacle Outlet Rubber Ring
View from Soldering Side	

DESCRIPTION

PBP-JE24-05



SPECIFICATIONS

Motor Side Connector	
Plug (Hole)	CGRSD-7BMFA-SL8001
View from Pins Press-in Side	

Motor Side Connector	
Plug	10120-300PE
Plug (Shell)	10320-52A0-008
Rubber Ring	Diameter 9 Receptacle Outlet Rubber Ring
View from Soldering Side	