

BDSG-83-125 Series



FEATURES

- DC Brush Spur Gearmotor
- Designed for High Volume Applications
- Up to 2750 oz-in of Continuous Torque
- 83mm Motor Diameter



DESCRIPTION

The BDSG-83-125 Series was designed for high-volume OEM applications with low cost being the primary objective. Available in ten gear ratios from 3 to 100, the BDSG-83-125 Series gearmotor offers continuous torque of up to 2,750 oz-in. These motors are fully reversible. The BDSG-83-125 Series gearmotors are a cost-effective solution to manage motion control in many rotary applications including medical, semiconductor, pumps, robotics, CNC, or any other situation when a low cost Brush DC Spur gearmotor is needed.

SPECIFICATIONS

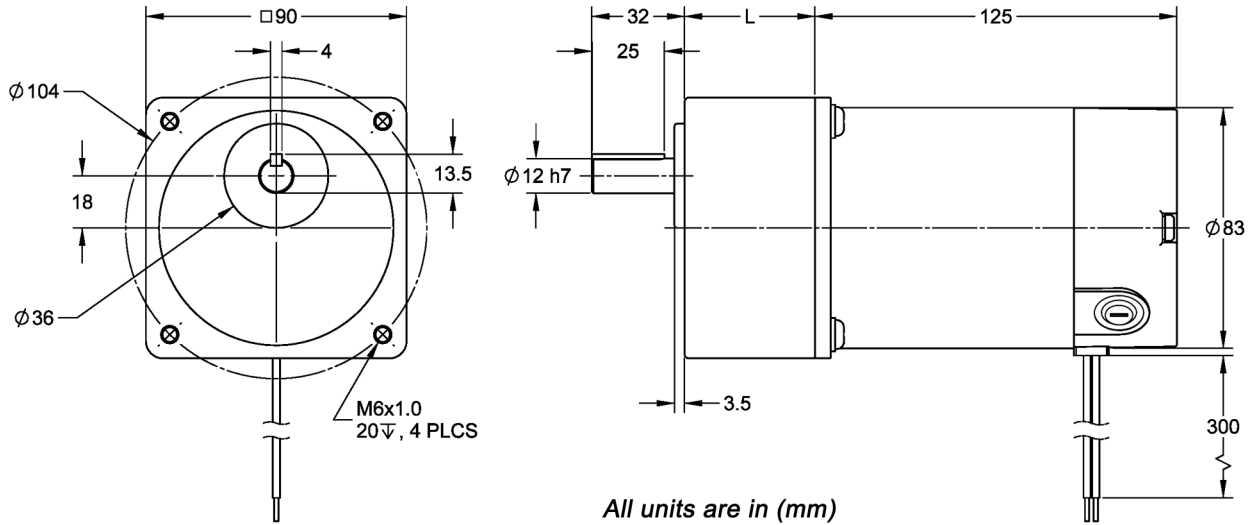
Motor Specs	No Load Speed (RPM)	Rated Voltage (V)	No Load Current (A)	Output Power (W)	Rated Current (A)	Stall Current (A)
	3000	24	0.9	77	4.6	20

Model #	Gear Ratio	No Load Speed (RPM)	Rated Speed (RPM)	Rated Torque (oz-in)	Peak Torque (oz-in)	Weight (lbs)	L Length (mm)
BDSG-83-125-24V-3000-R3	3	1000	833	111	625	5.78	45
BDSG-83-125-24V-3000-R5	5	600	500	167	1666	5.78	45
BDSG-83-125-24V-3000-R7.5	7.5	400	333	250	1666	5.88	45
BDSG-83-125-24V-3000-R12.5	12.5	240	200	417	1666	5.88	45
BDSG-83-125-24V-3000-R15	15	200	167	500	1666	5.98	45
BDSG-83-125-24V-3000-R25	25	120	100	764	2361	5.98	60
BDSG-83-125-24V-3000-R30	30	100	83	917	2361	6.08	60
BDSG-83-125-24V-3000-R50	50	60	50	1514	3472	6.10	60
BDSG-83-125-24V-3000-R75	75	40	35	2278	3472	6.20	60
BDSG-83-125-24V-3000-R100	100	30	27	2750	3472	6.20	60

12V Versions Also Available

L010480

DIMENSIONS



SPECIFICATIONS

Housing Material:	Steel	Bearing at Output:	Ball Bearing
Radial Load:	99 lbs - Force	Shaft Press Fit Force, Max:	22 lbs
Operating Temperature:	14° - 104° F	Humidity:	90% - 95%