

79mm Brush DC Motor

FEATURES

- **DC Brush Motor**
- **79mm Diameter**
- **Up to 70.8 oz-in of Torque**
- **Designed for High-Volume Applications**
- **Custom Versions Available**
- **ISO & TS Automotive Certified**



DESCRIPTION

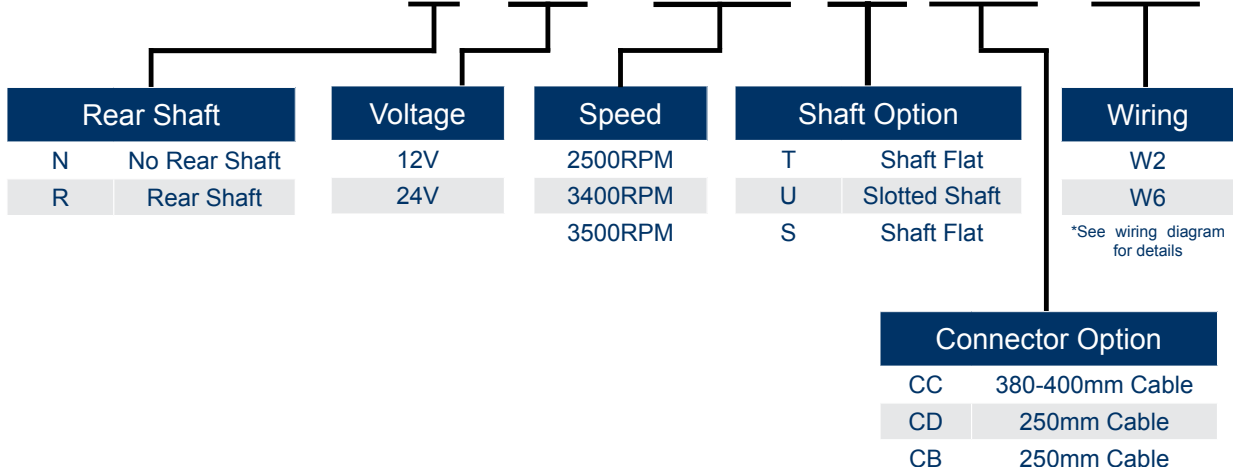
Anaheim Automation's DC motors provide a cost effective solution for your application. The 79mm Brush DC series can be used in many applications such as robotics and medical applications. The 79mm Brush DC series has strong permanent magnets to provide up to 70.8 oz-in of torque. At rated voltage, this motor will up to 3500RPM. Cooling vents on the motor casing are placed optimally for internal cooling of the motor.

SPECIFICATIONS

Model #	No load Speed (RPM)	Rated Speed (RPM)	Rated Current (A)	Starting Current (A)	Rated Torque (oz-in)	Starting Torque (oz-in)	Rated Voltage (VDC)	Approx Weight (lbs)
BDC-169-N-12-2500-T-CC-W2	2500	1900	11	46	56.64	283.23	12	5.35
BDC-169-N-12-3400-U-CD-W2	3400	2900	16	100	56.64	311.56	12	5.35
BDC-169-N-24-2500-T-CC-W2	2500	1900	5.5	23	56.64	283.23	24	5.35
BDC-169-N-24-3400-U-CD-W2	3400	2900	8	50	56.64	311.56	24	5.35
BDC-168-R-24-3500-S-CB-W6	3500	3000	11	70	70.8	424.85	24	6.9

ORDERING INFORMATION

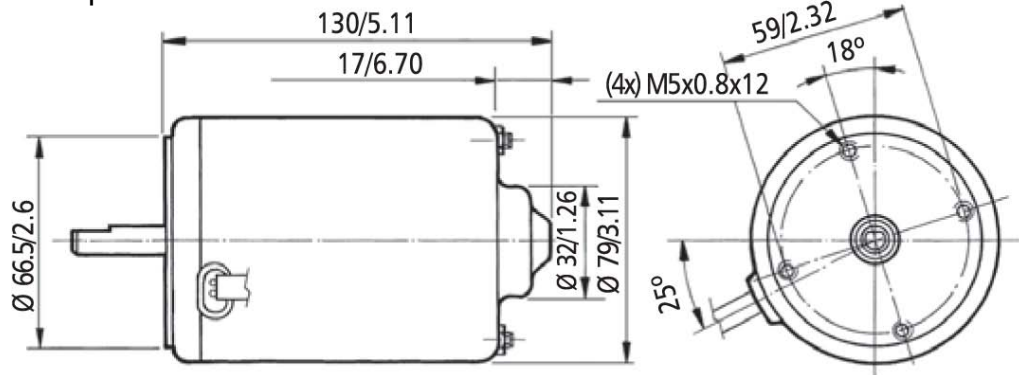
BDC-169-N-12-2500-T-CC-W2



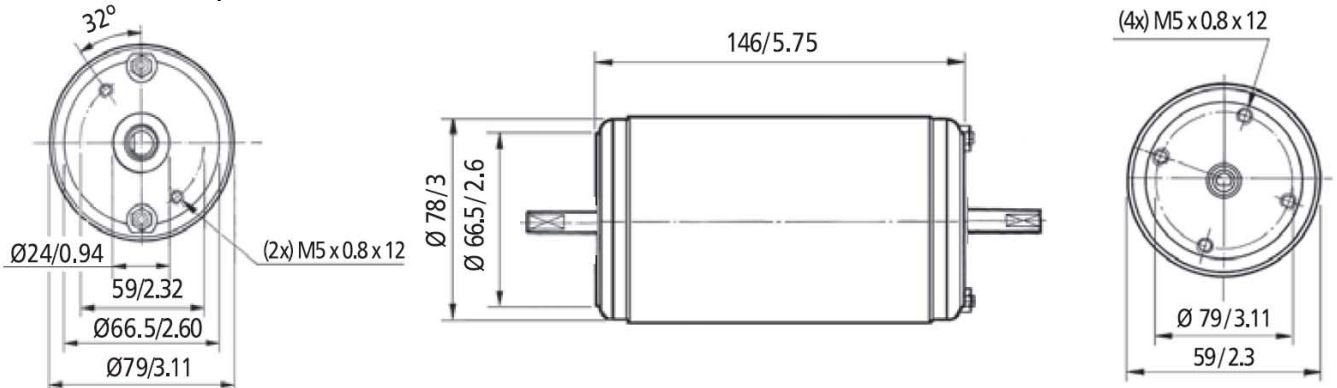
L011092

DIMENSIONS

N-Single Shaft Option

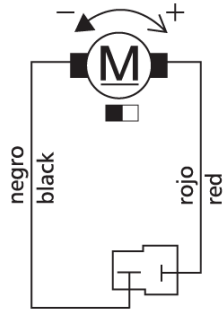


R-Dual Shaft Option

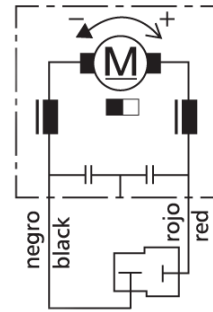


Dimensions are in mm/in

WIRING OPTIONS

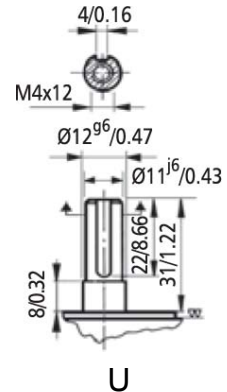
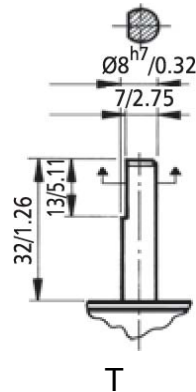
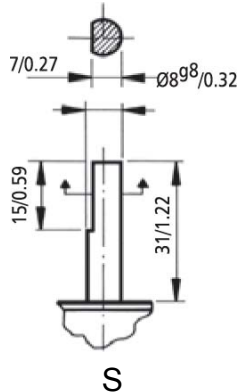


W2

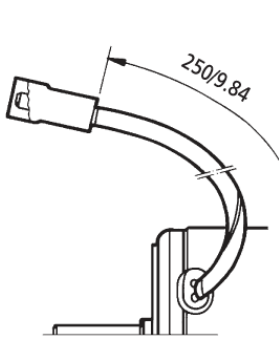


W6

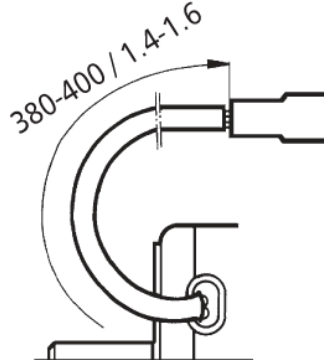
SHAFT OPTIONS



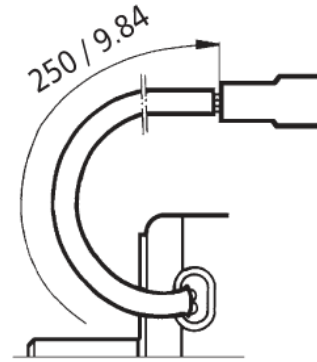
CONNECTOR OPTIONS



CB

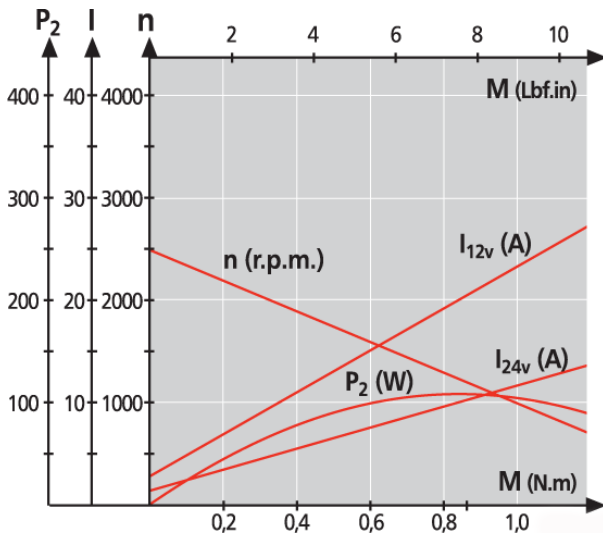


CC

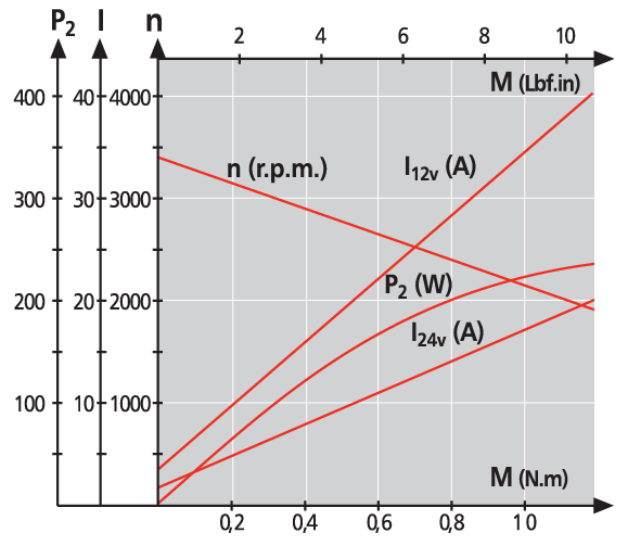


CD

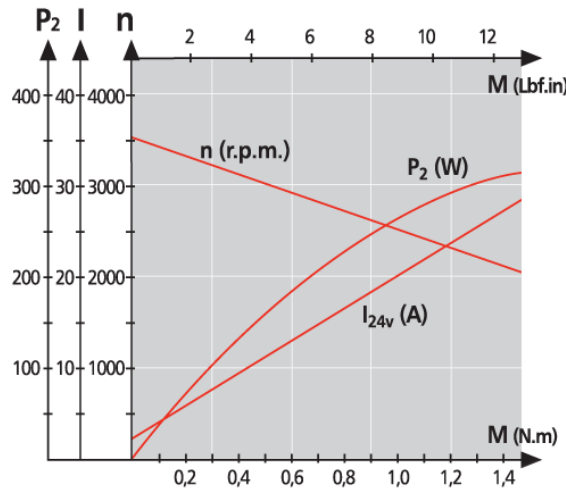
TORQUE CURVE



BDC-169-N-12-1900-T-CC-W2
BDC-169-N-24-1900-T-CC-W2



BDC-169-N-12-2900-U-CD-W2
BDC-169-N-24-2900-U-CD-W2



BDC-168-N-24-3500-S-CB-W6