

# 85mm Brush DC Motor

FEATURES

- **DC Brush Motor**
- **85mm Diameter**
- **Up to 56.64 oz-in of Torque**
- **Designed for High-Volume Applications**
- **Custom Versions Available**
- **ISO & TS Automotive Certified**



DESCRIPTION

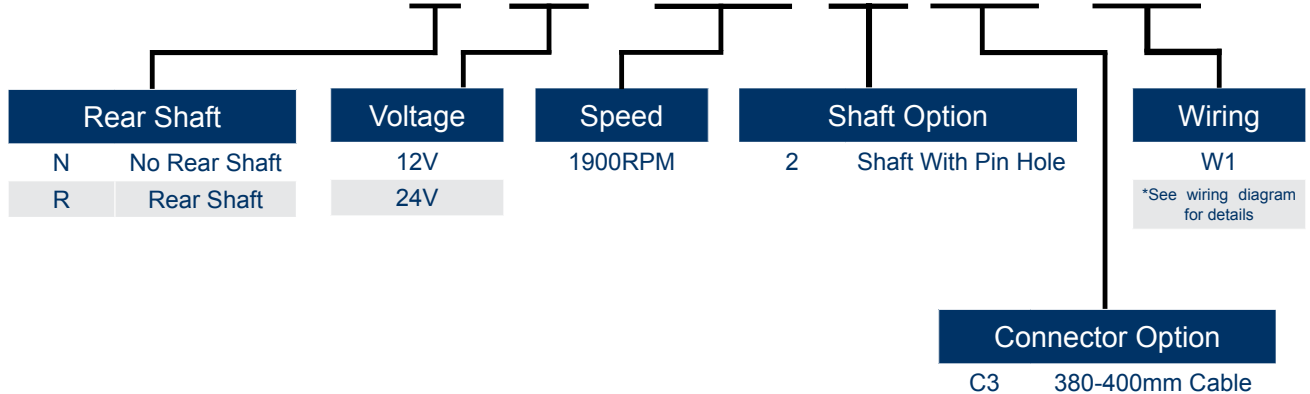
Anaheim Automation’s DC motors provide a cost effective solution for your application. The 85mm Brush DC series can be used in many applications such as robotics and medical applications. The 85mm Brush DC series has strong permanent magnets to provide up to 56.64 oz-in of torque. At nominal voltage, this motor will up to 1900RPM. Cooling vents on the motor casing are placed optimally for internal cooling of the motor.

SPECIFICATIONS

Model #	No load Speed (RPM)	Rated Speed (RPM)	Rated Current (A)	Starting Current (A)	Rated Torque (oz-in)	Starting Torque (oz-in)	Rated Voltage (VDC)	Approx Weight (lbs)
BDC-169-N-12-1900-2-C3-W1	1900	1500	9	38	56.64	283.23	12	5.35

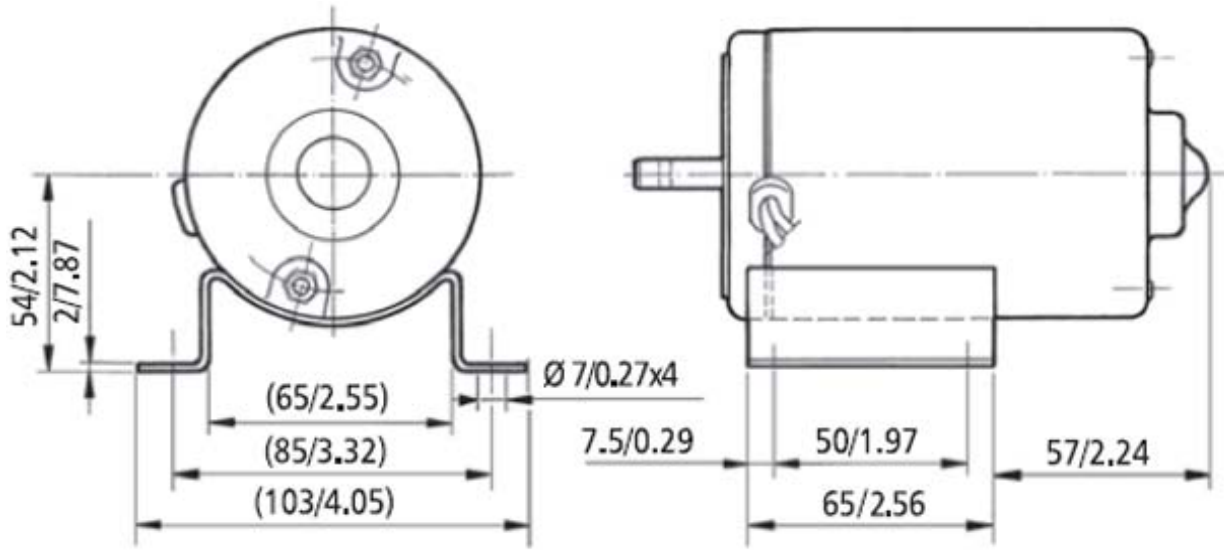
ORDERING INFORMATION

## BDC-169-N-12-1900-2-C3-W1



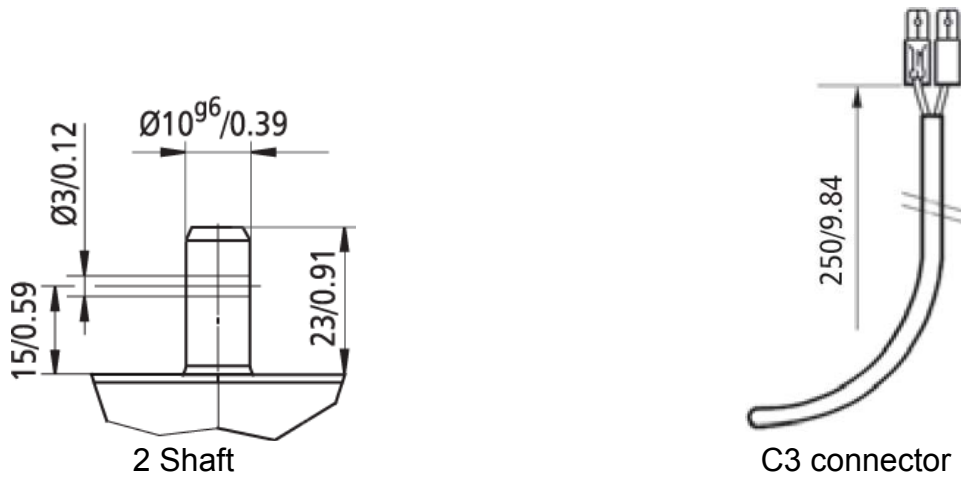
L011093

DIMENSIONS



\*Units: mm/in

SHAFT/CONNECTOR



WIRING/TORQUE CURVE

