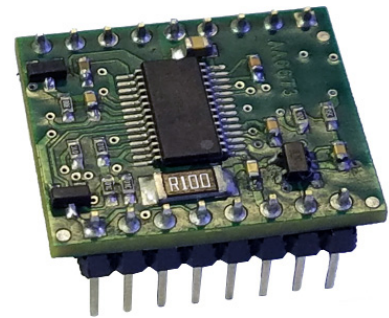


MBDC020-024031 - 24V, 3A Brush Controller



FEATURES

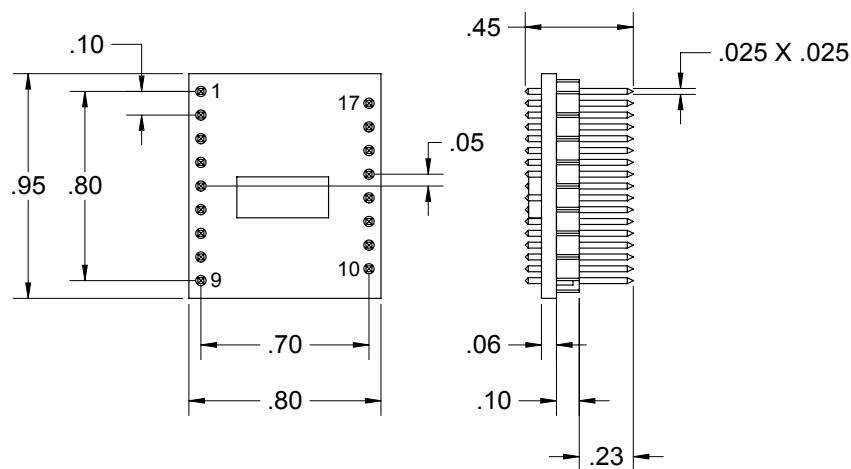
- Open Loop Operation
- 8 - 24VDC Voltage Range
- 0.75V to 4V External Voltage Speed Control
- 2-Quadrant Operation
- Short Circuit Protection
- Maximum Current Limit at 3.0 Amps (peak)
- Freewheel and Direction Input
- TTL-CMOS Compatible Inputs
- Compact Size



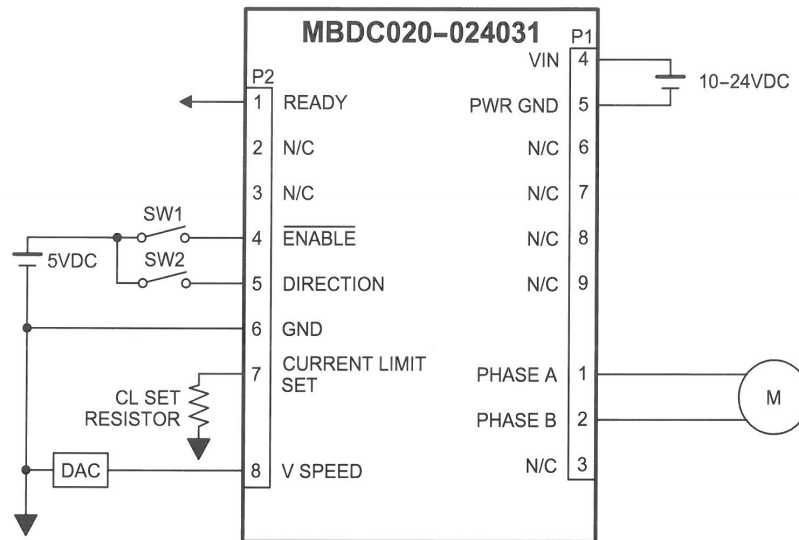
DESCRIPTION

The MBDC020-024031 driver is designed to drive DC Brush motors at currents of up to 3A (peak) and 24V. The driver operates in the basic open loop configuration. The driver is protected against over current (cycle-by-cycle) and under voltage. When an error occurs, a fault output is turned on to notify the user. An external voltage (0.75-4VDC) is used to control the speed of the motor. The direction of the motor can be preset by the direction control input. The freewheel input overrides all other inputs into the driver. With two connector arrays arranged in a 2.54 mm pattern, it allows easy integration and connectivity to the MDC020-EVALBOARD or the OEM-side mother board.

DIMENSIONS



L011719



Part #	Description
MBDC020-024031	Featured BDC driver 3A, 24V
PSAM24V2.7A	DC Power Supply 24VDC at 2.7 Amps
PSAM48V1.3A	DC Power Supply 48VDC at 1.3 Amps
MDC020-EVALBOARD	Evaluation Board for Board Level OEM BLDC and DC Speed Controllers MDC020-024031, MDC020-050101, MBDC020-24031, and MBDC020-050101

Power Requirements:	8 - 24VDC
Output Current Range:	0.5 - 3.0 Amps (Peak) 0.25 - 1.5 Amps (Continuous)
Ready: (P2, Pin 1)	Logic "1" - Ready Logic "0" - Fault or Disabled
Enable: (P2, Pin 4)	Logic "1" - Motor phases on (enabled) Logic "0" (open) - Motor phases off (disabled)
Direction: (P2, Pin 5)	Logic "1" - Motor moves clockwise Logic "0" (open) - Motor moves counter clockwise
Current Limit Set: (P2, Pin 7)	Logic "1" (open) - 3A current limit Resistor to GND - Sets current limit (Refer to User's guide for values)
V Speed: (P2, Pin 8)	0.75V - 4V
Operation Temperature:	0°C to 70°C