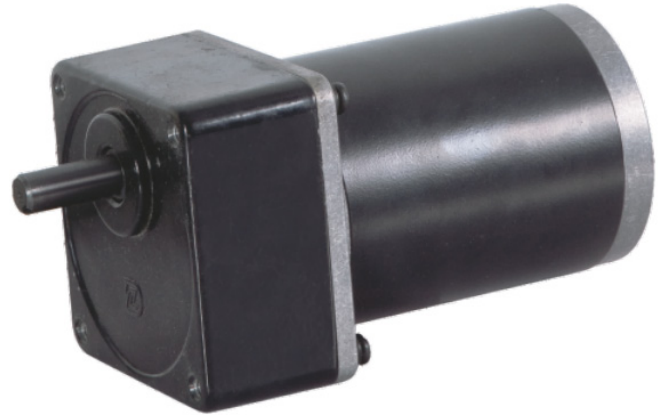


BDSG-80-115 Series



FEATURES

- *DC Brush Spur Gearmotor*
- *Designed for High Volume Applications*
- *Up to 2407 oz-in of Continuous Torque*
- *80mm Motor Diameter*



DESCRIPTION

The BDSG-80-115 Series was designed for high-volume OEM applications with low cost being the primary objective. Available in seventeen gear ratios from 3 to 75, the BDSG-80-115 Series gearmotor offers continuous torque of up to 2,407 oz-in. These motors are fully reversible. The BDSG-80-115 Series gearmotors are a cost-effective solution to manage motion control in many rotary applications including medical, semiconductor, pumps, robotics, CNC, or any other situation when a low cost Brush DC Spur gearmotor is needed.

SPECIFICATIONS

Motor Specs	Type	No Load Speed (RPM)	Rated Voltage (V)	No Load Current (A)	Output Power (W)	Rated Current (A)	Stall Current (A)
	BDSG-80-115-24V-2000-Rxx	2000	24	0.3	57	3.5	16
	BDSG-80-115-24V-3000-Rxx	3000	24	0.5	120	7.5	33

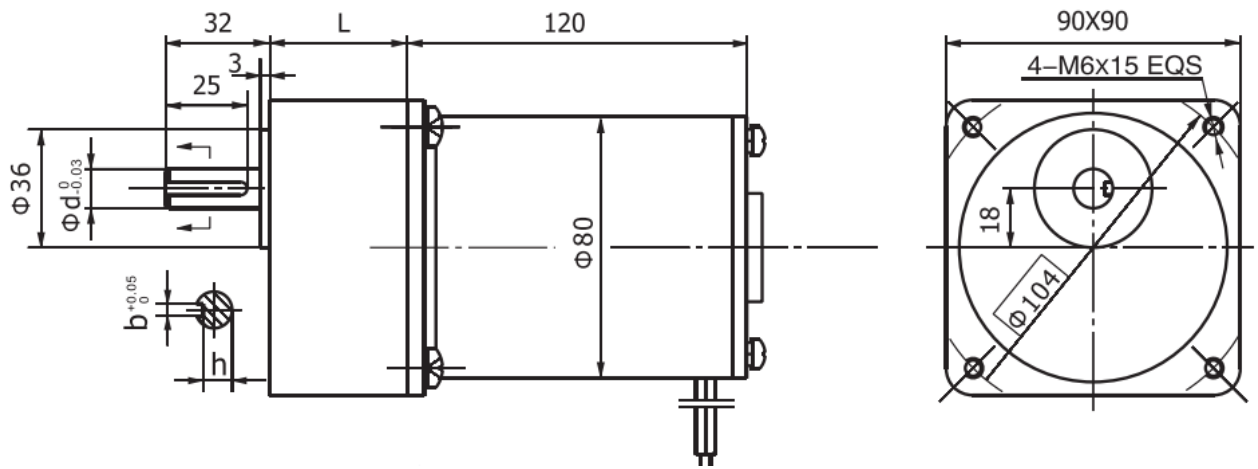
12V Versions Also Available

L011948

Type	Model #	Gear Ratio	No Load Speed (RPM)	Rated Speed (RPM)	Rated Torque (oz-in)	Peak Torque (oz-in)	Weight (lbs)	L Length (mm)
BDSG-80-115-24V-2000-Rxx	BDSG-80-115-24V-2000-R3	3	667	567	122	637	5.73	42
	BDSG-80-115-24V-2000-R5	5	400	340	184	1062	5.73	42
	BDSG-80-115-24V-2000-R6	6	333	283	226	1275	5.73	42
	BDSG-80-115-24V-2000-R7.5	7.5	267	227	269	1416	5.73	42
	BDSG-80-115-24V-2000-R9	9	222	189	326	1416	5.73	42
	BDSG-80-115-24V-2000-R10	10	200	170	368	1416	5.73	42
	BDSG-80-115-24V-2000-R12.5	12.5	160	136	453	1416	5.73	42
	BDSG-80-115-24V-2000-R15	15	133	113	552	1416	5.73	42
	BDSG-80-115-24V-2000-R18	18	111	94	595	2832	6.17	60
	BDSG-80-115-24V-2000-R20	20	100	85	666	2832	6.17	60
	BDSG-80-115-24V-2000-R25	25	80	68	821	2832	6.17	60
	BDSG-80-115-24V-2000-R30	30	67	57	991	2832	6.17	60
	BDSG-80-115-24V-2000-R36	36	56	47	1190	2832	6.17	60
	BDSG-80-115-24V-2000-R40	40	50	43	1190	5664	6.61	60
	BDSG-80-115-24V-2000-R50	50	40	34	1558	5664	6.61	60
	BDSG-80-115-24V-2000-R60	60	33	28	1841	5664	6.61	60
	BDSG-80-115-24V-2000-R75	75	27	23	2266	5664	6.61	60
BDSG-80-115-24V-3000-Rxx	BDSG-80-115-24V-3000-R3	3	1000	867	170	708	5.73	42
	BDSG-80-115-24V-3000-R5	5	600	520	255	1416	5.73	42
	BDSG-80-115-24V-3000-R6	6	500	433	297	1416	5.73	42
	BDSG-80-115-24V-3000-R7.5	7.5	400	347	382	1416	5.73	42
	BDSG-80-115-24V-3000-R9	9	333	289	425	1416	5.73	42
	BDSG-80-115-24V-3000-R10	10	300	260	510	1416	5.73	42
	BDSG-80-115-24V-3000-R12.5	12.5	240	208	637	1416	5.73	42
	BDSG-80-115-24V-3000-R15	15	200	173	751	1416	5.73	42
	BDSG-80-115-24V-3000-R18	18	167	144	821	2832	6.17	60
	BDSG-80-115-24V-3000-R20	20	150	130	906	2832	6.17	60
	BDSG-80-115-24V-3000-R25	25	120	104	1133	2832	6.17	60
	BDSG-80-115-24V-3000-R30	30	100	87	1359	2832	6.17	60
	BDSG-80-115-24V-3000-R36	36	83	72	1699	2832	6.17	60
	BDSG-80-115-24V-3000-R40	40	75	65	1699	5664	6.61	60
	BDSG-80-115-24V-3000-R50	50	60	52	2124	5664	6.61	60
	BDSG-80-115-24V-3000-R60	60	50	43	2266	5664	6.61	60
	BDSG-80-115-24V-3000-R75	75	40	35	2407	5664	6.61	60

12V Versions Also Available

DIMENSIONS



All units are in mm

SPECIFICATIONS

Housing Material:	Steel	Bearing at Output:	Ball Bearing
Radial Load:	99 lbs - Force	Shaft Press Fit Force, Max:	22 lbs
Operating Temperature:	14° - 104° F	Humidity:	90% - 95%