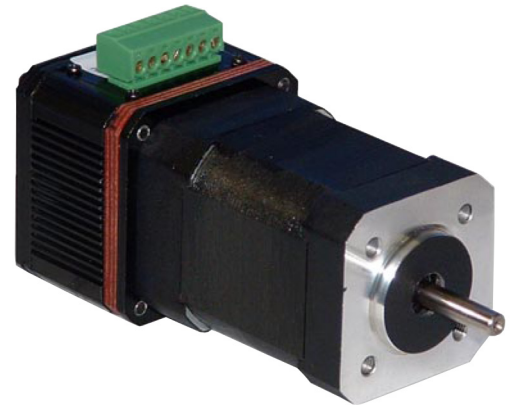


BLY17MD Series - BLDC Integrated Motor/ Controllers Series



FEATURES

- Size 17 BLDC Motor and Driver
- Cost-Effective Solution
- Compact Size and Power Density
- Long Life and Highly Reliable
- Can be Customized for
 - Maximum Speed
 - Winding Current
 - Shaft Options
- Peak Torque up to 106 oz-in
- Motor Frame: 1.7" Square



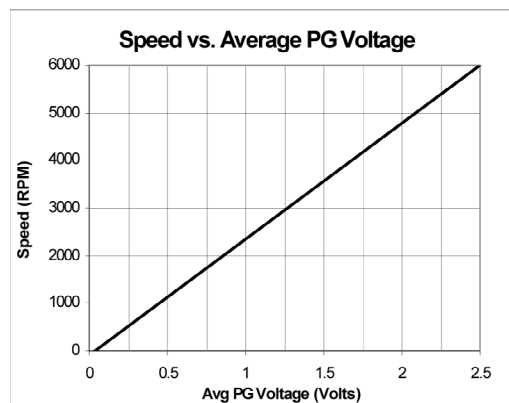
DESCRIPTION

The BLY17MD Series Brushless Integrated Motor/Driver combines a powerful BLDC motor design with the drive electronics in a compact package. These integrated motors/drivers are cost effective solutions to many velocity control applications. By supplying a 0-5 VDC input or connecting a simple potentiometer, this BLDC motor is easy to control. Terminal block connections allow this motor/driver to be easily installed into any application. A pulse output is provided to digitally read the speed the shaft is turning. The average value of the voltage on PG is directly proportional to speed, so this output can be used as a true tachometer for speed feedback with an external filter or average circuit which usually consists of a resistor and capacitor (i.e. 20K and 0.1uF).

SPECIFICATIONS

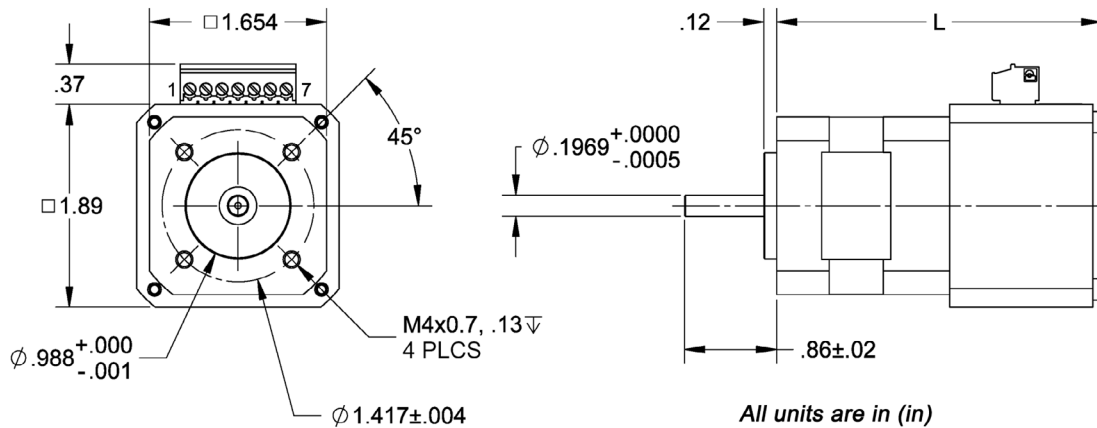
Model #	Motor Frame	Rated Voltage (V)	Rated Speed (RPM)	No Load Speed (RPM)	Rated Power (RPM)	Rated Torque (oz-in)	Torque Constant (oz-in/A)	Rotor Inertia (oz-in-sec ²)	Weight (lbs)	L Length (in)
BLY17MD1S-24V-4000	1.7 in. Square	24	4000	6200	26	9	4.8	0.00016	0.9	3.03
BLY17MD2S-24V-4000	1.7 in. Square	24	4000	6200	52	17	5.0	0.00032	1.4	4.15
BLY17MD3S-24V-4000	1.7 in. Square	24	4000	5800	77.5	26	5.4	0.00010	1.9	5.39
BLY17MD4S-24V-4000	1.7 in. Square	24	4000	6000	104	35	5.3	0.00135	2.4	6.18

Note: Other Speed Options, Custom leadwires, cables, connectors and windings are available upon request.



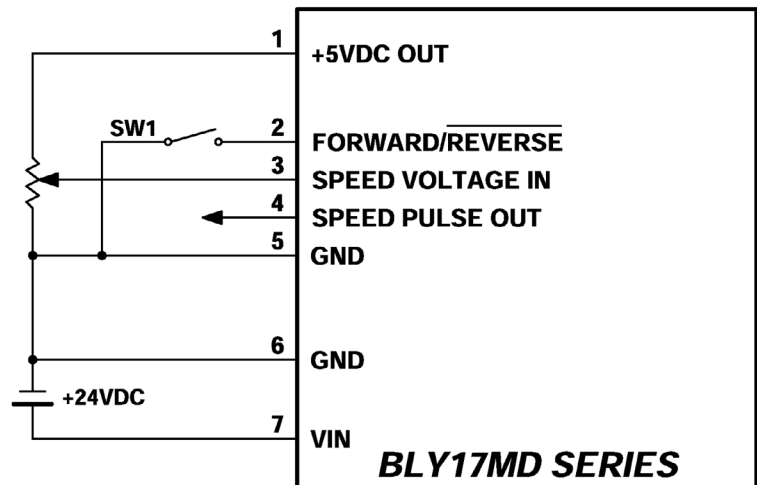
L010857

DIMENSIONS



WIRING INFORMATION

Pin #	Description
1	+5 VDC Out
2	Forward/Reverse
3	Speed Voltage In
4	Speed Voltage Out
5	Ground
6	Ground
7	Vin (±15%)



SPECIFICATIONS

Winding Type:	8 Poles	Max Radial Force:	28N @ 20mm from Flange
Hall Effect Angle:	120 Degree Electrical Angle	Max Axial Force:	10N - Force
Shaft Run Out:	0.025mm	Insulation Class:	Class B
Radial Play:	0.02mm@450g	Dielectric Strength:	500VDC for one minute
End Play:	0.08mm@450g	Insulation Resistance:	100Mohm, 500VDC