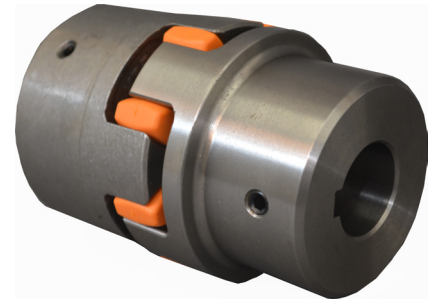


FEATURES

- **High-Quality Spider Design**
- **Handles the Most Demanding Applications**
- **Max Torque of 1,991 in-lb.**
- **Allows for Different Bore Diameters**
- **No Maintenance**
- **Requires Three Individual Part Numbers**
- **Easy Assembly**
- **Wide Variety of Sizes**



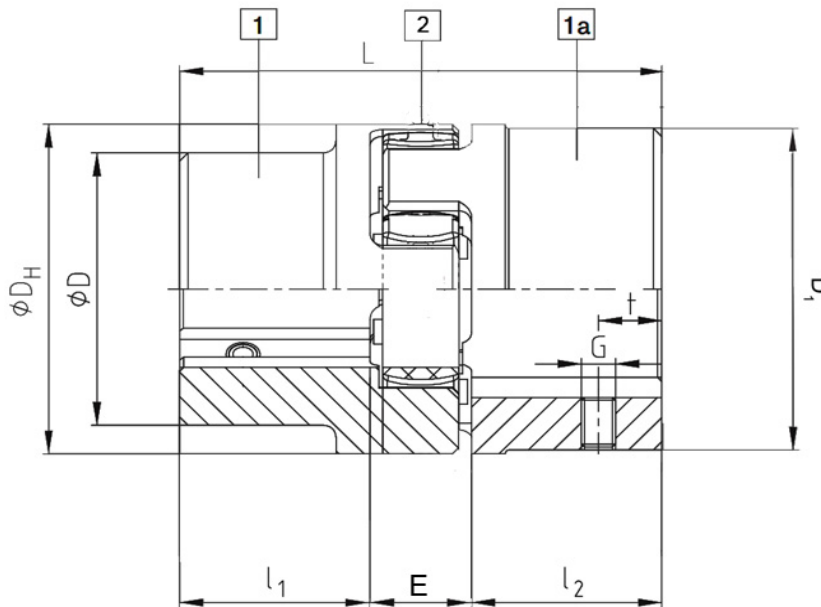
DESCRIPTION

ROTEX® couplings are designed to transmit torque between drive and driven components via curved jaw hubs and elastomeric elements commonly known as spiders. The combination between these components provides dampening and accommodation for misalignments. This product is available in a variety of metals, elastomers and mounting configurations to meet your specific needs.

Ordering Guideline: There are three individual part numbers you will need for a complete coupler (i.e., 2 Hubs and 1 Spider). Please choose the hub sizes that match the criteria for your application. In addition to the hubs, you will need to choose a spider, from the spider section.

Customization options are available; allow Anaheim Automation to specify the coupling designed for your application!

SPECIFICATIONS



L011392

Inch Bores

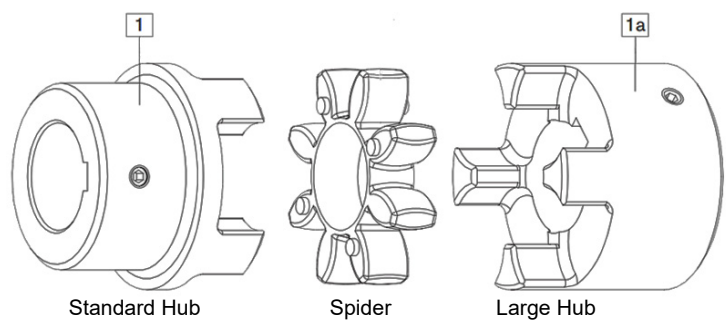
Item	Bore Diameter (in)	Keyway (in)	Hub Design	Outside Diameter D _H , D, D ₁ (in)	Length Thru Bore "L ₁ L ₂ " (in)	Coupling Length "L" (in)	Setscrew Torque (in-lb)	t (in)	E (in)	G	Material
KTR-BA020246070902	3/8	3/32	1	2.2, 1.57, 2.2	1.18	3.07	18	0.39	0.70	M5	Aluminum
KTR-BA020246070903	3/8	1/8	1	2.2, 1.57, 2.2	1.18	3.07	18	0.39	0.70	M5	Aluminum
KTR-BA020246071101	7/16	3/32	1	2.2, 1.57, 2.2	1.18	3.07	18	0.39	0.70	M5	Aluminum
KTR-BA020246071102	7/16	1/8	1	2.2, 1.57, 2.2	1.18	3.07	18	0.39	0.70	M5	Aluminum
KTR-BA020246071111	7/16	No Key	1	2.2, 1.57, 2.2	1.18	3.07	18	0.39	0.70	M5	Aluminum
KTR-BA020246071200	1/2	1/8	1	2.2, 1.57, 2.2	1.18	3.07	18	0.39	0.70	M5	Aluminum
KTR-BA020246071211	1/2	No Key	1	2.2, 1.57, 2.2	1.18	3.07	18	0.39	0.70	M5	Aluminum
KTR-BA020246071400	9/16	1/8	1	2.2, 1.57, 2.2	1.18	3.07	18	0.39	0.70	M5	Aluminum
KTR-BA020246071411	9/16	No Key	1	2.2, 1.57, 2.2	1.18	3.07	18	0.39	0.70	M5	Aluminum
KTR-BA020246071500	5/8	3/16	1	2.2, 1.57, 2.2	1.18	3.07	18	0.39	0.70	M5	Aluminum
KTR-BA020246071503	5/8	5/32	1	2.2, 1.57, 2.2	1.18	3.07	18	0.39	0.70	M5	Aluminum
KTR-BA020246071511	5/8	No Key	1	2.2, 1.57, 2.2	1.18	3.07	18	0.39	0.70	M5	Aluminum
KTR-BA020246071700	11/16	3/16	1	2.2, 1.57, 2.2	1.18	3.07	18	0.39	0.70	M5	Aluminum
KTR-BA020246071900	3/4	3/16	1	2.2, 1.57, 2.2	1.18	3.07	18	0.39	0.70	M5	Aluminum
KTR-BA020246071901	3/4	1/8	1	2.2, 1.57, 2.2	1.18	3.07	18	0.39	0.70	M5	Aluminum
KTR-BA020246071911	3/4	No Key	1	2.2, 1.57, 2.2	1.18	3.07	18	0.39	0.70	M5	Aluminum
KTR-BA020246072200	13/16	3/16	1	2.2, 1.57, 2.2	1.18	3.07	18	0.39	0.70	M5	Aluminum
KTR-BA020246072202	7/8	1/4	1	2.2, 1.57, 2.2	1.18	3.07	18	0.39	0.70	M5	Aluminum
KTR-BA020246072211	7/8	No Key	1	2.2, 1.57, 2.2	1.18	3.07	18	0.39	0.70	M5	Aluminum
KTR-BA020246072300	15/16	1/4	1	2.2, 1.57, 2.2	1.18	3.07	18	0.39	0.70	M5	Aluminum
KTR-BA020246172500	1	1/4	1a	2.2, 1.57, 2.2	1.18	3.07	18	0.39	0.70	M5	Aluminum
KTR-BA020246172502	1	3/16	1a	2.2, 1.57, 2.2	1.18	3.07	18	0.39	0.70	M5	Aluminum
KTR-BA020246172600	1 1/16	1/4	1a	2.2, 1.57, 2.2	1.18	3.07	18	0.39	0.70	M5	Aluminum
KTR-BA020246172800	1 1/8	1/4	1a	2.2, 1.57, 2.2	1.18	3.07	18	0.39	0.70	M5	Aluminum

Metric Bores

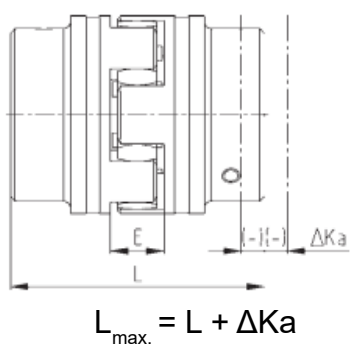
Item	Bore Diameter (mm)	Keyway (mm)	Hub Design	Outside Diameter D _H , D, D ₁ (mm)	Length Thru Bore "L ₁ L ₂ " (mm)	Coupling Length "L" (mm)	Setscrew Torque (Nm)	t (mm)	E (mm)	Material
KTR-BA020246000900	9	3	1	56, 40, 56	30	78	2	10	18	Aluminum
KTR-BA020246001000	10	3	1	56, 40, 56	30	78	2	10	18	Aluminum
KTR-BA020246001100	11	4	1	56, 40, 56	30	78	2	10	18	Aluminum
KTR-BA020246001200	12	4	1	56, 40, 56	30	78	2	10	18	Aluminum
KTR-BA020246001400	14	5	1	56, 40, 56	30	78	2	10	18	Aluminum
KTR-BA020246001500	15	5	1	56, 40, 56	30	78	2	10	18	Aluminum
KTR-BA020246001600	16	5	1	56, 40, 56	30	78	2	10	18	Aluminum
KTR-BA020246001800	18	6	1	56, 40, 56	30	78	2	10	18	Aluminum
KTR-BA020246001900	19	6	1	56, 40, 56	30	78	2	10	18	Aluminum
KTR-BA020246002000	20	6	1	56, 40, 56	30	78	2	10	18	Aluminum
KTR-BA020246002200	22	6	1	56, 40, 56	30	78	2	10	18	Aluminum
KTR-BA020246002400	24	8	1	56, 40, 56	30	78	2	10	18	Aluminum
KTR-BA020246102500	25	8	1a	56, 40, 56	30	78	2	10	18	Aluminum
KTR-BA020246102800	28	8	1a	56, 40, 56	30	78	2	10	18	Aluminum

Spiders

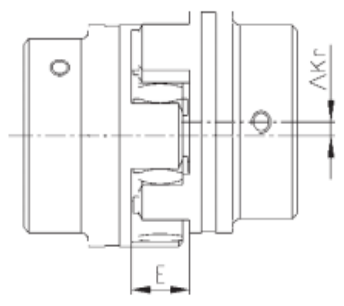
Item	Color	Material	Type/ Hardness	Max Speed (rpm)	Rated Torque (in-lb)	Max Torque (in-lb)	Temperature Rating for Continuous Use
KTR-020241000045	Orange	T-PUR	92 Shore-A	12,100	309.77	610	-50°C to +120°C
KTR-020241000042	Purple	T-PUR	98 Shore-A	12,100	531.04	1060	-50°C to +120°C
KTR-020241000020	Green	T-PUR	64 Shore-D	12,100	663.80	1320	-50°C to +120°C
KTR-020241000088	White	Polyamide	-	-	929.32	1859	-20°C to +130°C
KTR-020241000076	Grey	Polyetherethertone	-	-	929.32	1859	Up to +180°C



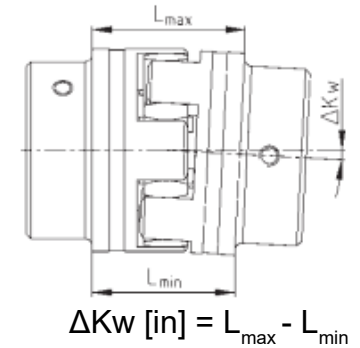
Axial Misalignment ΔK_a



Parallel Misalignment ΔK_r



Angular Misalignment ΔK_w [degrees]



ROTEX® Size	14	19	24	28	38	42	48	55	65	75	90
Max. Axial Misalignment ΔK_a [in]	-0.02 +0.04	-0.02 +0.05	-0.02 +0.06	-0.03 +0.06	-0.03 +0.07	-0.04 +0.08	-0.04 +0.08	-0.04 +0.09	-0.04 +0.10	-0.06 +0.12	-0.06 +0.13
Max. Parallel Misalignment at n=1,800 rpm ΔK_r [in]	0.006	0.007	0.008	0.009	0.010	0.011	0.013	0.014	0.015	0.017	0.018
Max. Angular Misalignment at n=1,800 rpm ΔK_w [Degree]	1.1	1.0	0.8	0.9	0.9	1.0	1.1	1.1	1.1	1.1	1.2
ΔK_w [in]	0.024	0.029	0.031	0.031	0.051	0.067	0.079	0.090	0.102	0.126	0.161

The above misalignment figures for ROTEX® couplings are standard values, taking into account the load of the coupling up to the rated torque T_{KN} and an operating speed $n = 1,800$ RPM along with an ambient temperature of +30°C. For other operating parameters, please ask for KTR-Norm 20240 on misalignments for ROTEX®. The maximum angular and parallel misalignments must not be used concurrently. For example; 70% of the maximum parallel value allows 30% of the maximum angular value. Also, care should be taken to accurately maintain the distance dimension "E", allowing for axial clearance of the coupling while in operation. In case of an axial thrust, the dimension "L" must be taken as a minimum dimension in order to keep the spider free from pressure against the face. Detailed installation instructions are available at www.ktr.com.