

C81 Through Hollow Shaft Encoder Series



FEATURES

- **Standard Encoder for Elevator Motors**
- **Hollow Shaft up to $\phi 44\text{mm}$**
- **Connector or Cable Output**
- **12 to 4,096 Cycles Per Revolution**
- **48 to 16,384 Pulses Per Revolution**
- **Optional Index Channel**
- **Output Circuitry**
 - **Push-Pull**
 - **Line Driver**
 - **PP/LD Universal Circuit**
- **IP54 Standard**
- **Custom Options Available**
 - **Custom Cable Lengths**
 - **IP65 Protection**
 - **Termination Connectors**

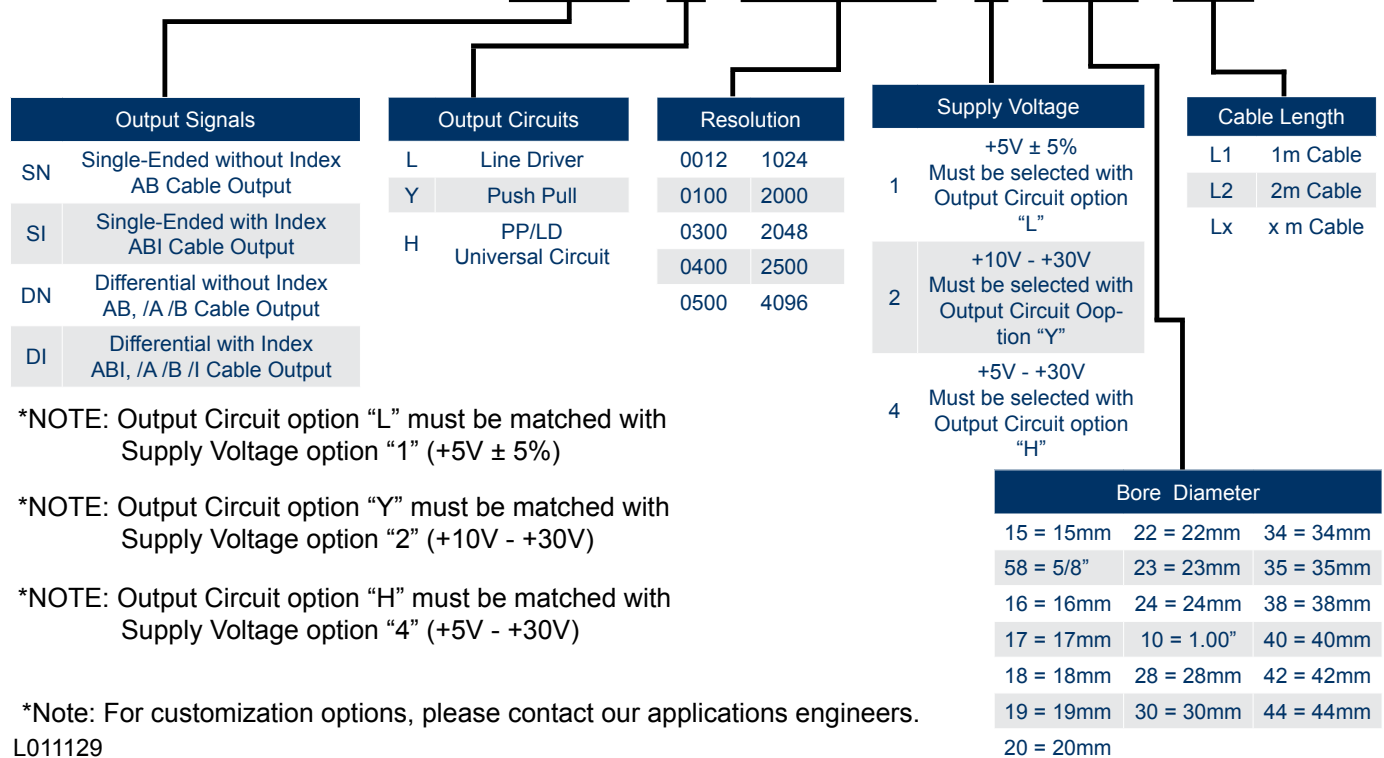


DESCRIPTION

The ENC-C81 is a hollow shaft encoder used for heavy Industrial and Elevator feedback applications. These encoders are offered with resolutions ranging from 12 to 4096 CPR (model dependent). These encoders fit shaft diameters up to 44mm, but reducing sleeves are available for shaft diameters as small as 15mm. With various mounting options, three output circuitry options, and input voltage ranges, these encoders can be customized to fit your applications needs.

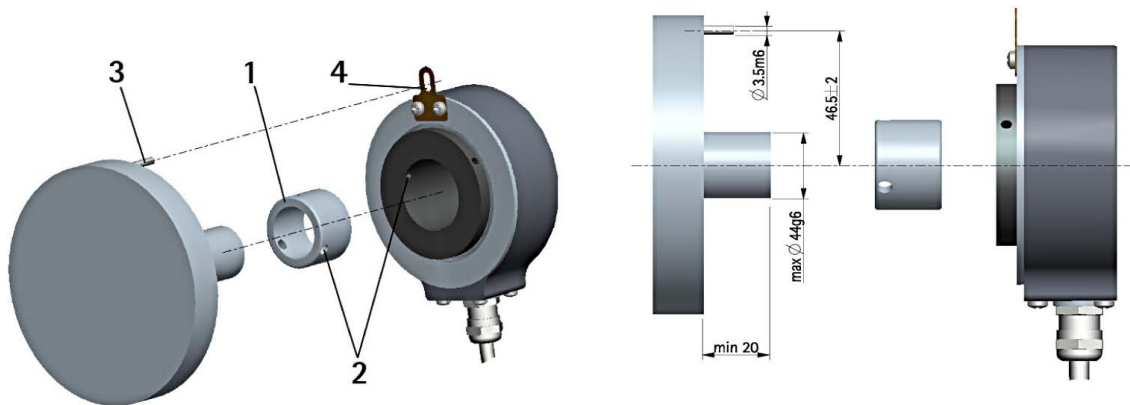
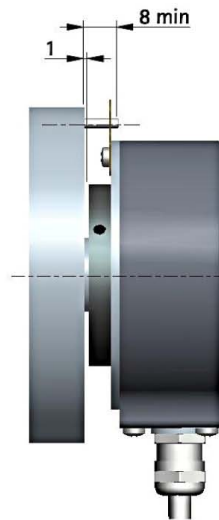
ORDERING INFORMATION

ENC-C81SN-L-4096-1-44-L1



C81 Series

- Insert reducing sleeve 1 into the encoder shaft (fixing holes 2 have to match).
- Mount the encoder onto the motor shaft.
- Make sure the anti-rotation pin 3 is inserted properly into the fixing plate 4.
- Fix the encoder shaft by tightening the three grub screws 2 (3 x M4)



Mechanical Specifications

Housing:	Anti Corodal, UNI EN AW-6082
Shaft Rotational Speed:	2000 RPM Max @70°C/IP54, 3000 RPM Max @100°C/IP54 1500 RPM Max @70°C/IP65, 2000 RPM Max @100°C/IP65
Starting Torque at 20°C:	4-12 Ncm
Hollow Shaft Diameter:	30, 34, 35, 38, 40, 42, 44 mm
Shaft Loading (Axial, Radial):	100N Max
Moment of Inertia	100-450 gcm ²
Bearings Life:	10 ⁹ rev. min.
Weight:	0.6614-1.323lb

Electrical Specifications

Resolution (CPR) (Other CPR Upon Request):	12, 100, 300, 400, 500, 1024, 2000, 2048, 2500, 4096
Power Supply:	+5V±5%, +10V to +30V, +5V to +30V
Output Circuits:	Push-Pull, Line Driver, PP/LD
Output Current (Per Channel):	40 mA Max.
Output Frequency:	100 kHz Max.
Input Current:	70 mA Max.
Protection:	Against Inversion of Polarity (Except Line Driver Version) Outputs are Protected Against Short-Circuit (Except Line Driver Version)
Option:	Output Frequency 200 kHz Max

Environmental Specifications	Min	Max	Units
Operating Temperature	-25	85	°C
Storage Temperature	-25	85	°C
Protection Level		IP54	
Option	IP65 Protection (2000 RPM Max, Torque 2 Ncm) Operating Temperature Range: -40°C to 100°C		

Custom Options

Protection	IP65
Operating Temperature	-40°C to 100°C
Cable Lengths	Up to 100m
Output Frequency	Up to 200 kHz
EDE9S	9 Pin DSub Mating Connector