

KNC-HMI-GL043 Series



FEATURES

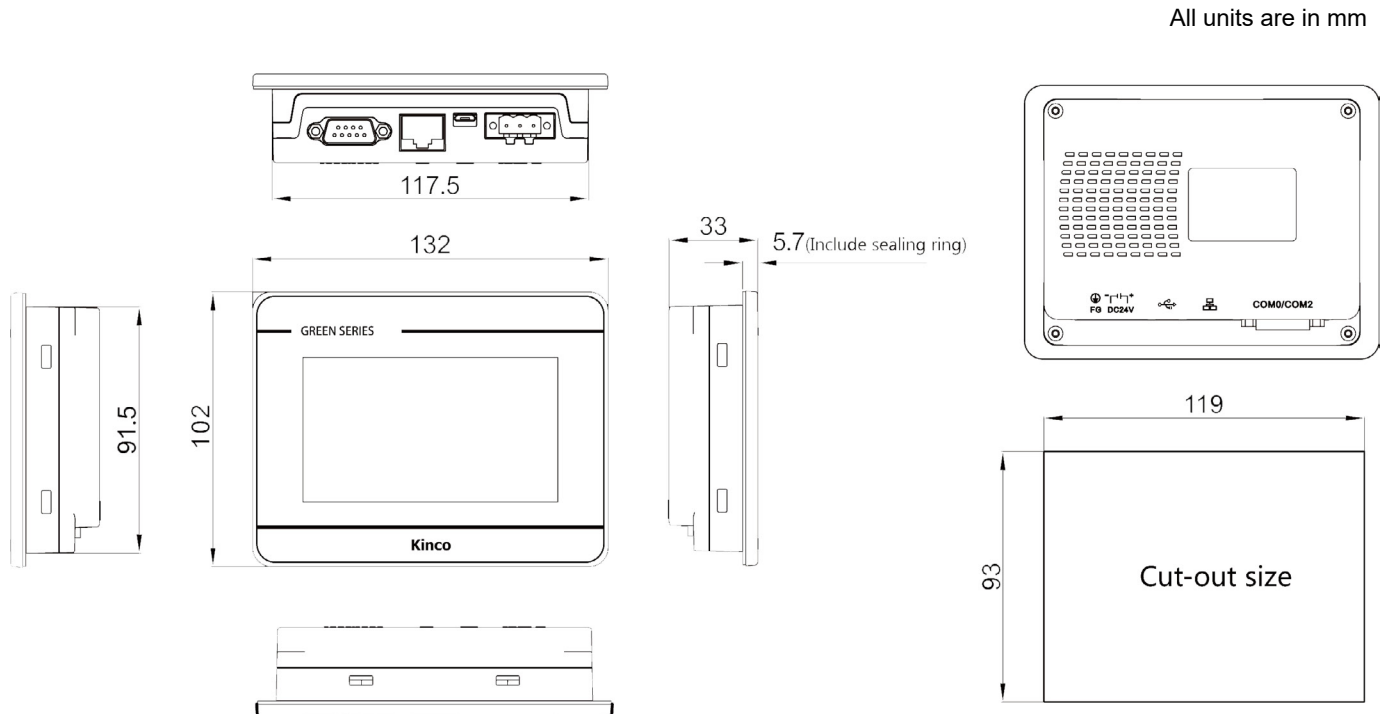
- **16.77m (24 Bits) True Color**
- **32-Bit 792 MHz ARM RISC CPU**
- **Real-Time Clock, Reserve Time for More than 2 Years at Power Off State**
- **2 COM Ports, Supports Simultaneous Communications, Supports RS232/RS485/RS422**
- **24 VDC Input Voltage**
- **CE Certified**
- **128MB NAND FLASH + 128MB DDR3 Memory**
- **Ethernet Models Available**



DESCRIPTION

The Green Series GL043 is the most modern and powerful HMI product that will make your application work seamlessly, without missing a step. The GL043 Series has a new structure and elegant body, compared to previous HMI's. This HMI line comes with a 16.77 million Color Display mode that gives your touch screen rich color and incomparable resolution. The Green Series products use the most advantageous ARM Cortex-A7 architecture industrial-grade processors, which ensure that the HMI's work efficiently. Furthermore, it has a much higher hardness and intensity with a higher temperature resistance. Each HMI supports simultaneous communications via its multiple serial ports, so that you can connect to different controllers at the same time. With the simple, convenient and powerful DTools configuration software, the user can master its design method and create first-class programs efficiently.

DIMENSIONS



L011776

KNC-HMI-GL043



SPECIFICATIONS

MODEL	GL043	GL043E
Performance Specification		
Display	4.3" TFT	
Display Area	3.74"(W)x2.12"(H)	
Resolution	480x272 pixels	
Display Color	16.77 Million True Color	
Display Angle of View	70/70/50/70(left/right/up/down)	
Contrast Ratio	500:1	
Backlight	LED	
Brightness	450cd/m2	
Backlight Life	30000 Hours	
Touch Panel	4 Line Precision Resistance Network (Surface Hardness 4H)	
CPU	ARM RISC 32Bit 792MHz	
Storage	128MB NAND Flash Memory + 128MB DDR3 Memory	
RTC	Built-in	
Expandable Memory	None	
Print Port	Series Port	
Ethernet	None	10/100MHz Self-Adaptation + 1 SD Card
Program Download	USB Slave/U Disk	USB Slave/U Disk/Ethernet
Communication Port	COM0:RS232/RS485/RS422; COM2:RS232;	
Electrical Specification		
Input Power Supply	DC10V ~ DC28V	
Power Waste	2W @24V DC	
Allowable Loss of Power	<3ms	
Insulation Resistance	Over 50MΩ@500V DC	
Hi-pot Test	500 VAC 1 Minute	
Structure Specification		
Shell Material	Engineering Plastic	
Shape Size	5.20"x4.02"x1.30"	
Installation Hole Size	4.69"x3.66"	
Weight	0.46 lbs	
Environment Specification		
Temperature of Working Environment	0 ~ 50°C	
Humidity of Working Env.	10 ~ 90%RH (non-condensing)	
Storage Environment Temperature	-20 ~ 60°C	
Storage Environment Humidity	10 ~ 90%RH (non-condensing)	
Anti-Seismic Degree	10 ~ 500Hz (X, Y, Z direction 2G/30 minute)	
Cooling Mode	Natural Air Cooling	
Certification		
Panel Protection Grade	Conforming to IP65 Certification(4208-93)	
CE Authentication	EN6100-6-4:2007,EN61000-6-2:2005	
Software		
Configuration Software	Kinco DTools V3.2 and Above Version	