

# Motion Ballscrews SFV Series



FEATURES

- 12mm to 80mm Screw Diameters
- 4mm to 20mm Leads
- Dynamic Loads to to 22,423 kgf
- Static Loads up to 90,719 kgf
- Available in Right helix
- C7 Standard Accuracy
- P1 Standard Preload
- Other Accuracies and Preloads Available Upon Request

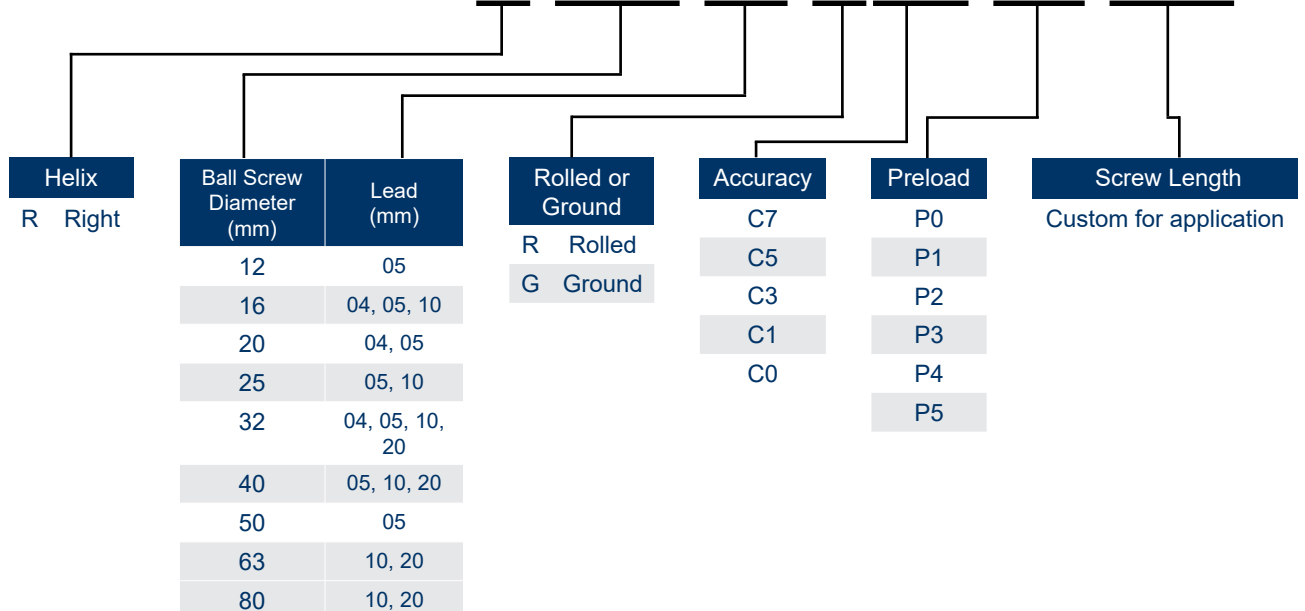


DESCRIPTION

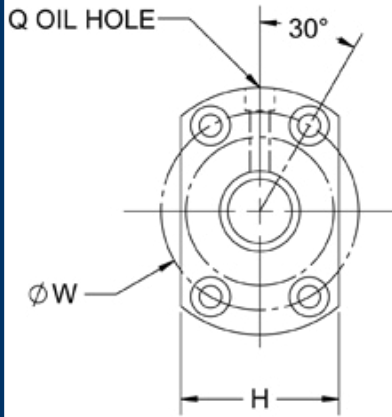
The SFV Series screw has a diameter of 12-80mm with a 4-20mm lead. This assembly provides a dynamic force of 22,423 kgf and a static forces up to 90,719 kgf. The maximum screw length is 7,000mm. The ends of the screw can be customized per your drawing. Please contact Anaheim Automation to discuss your specific requirements.

PART NUMBER LAYOUT

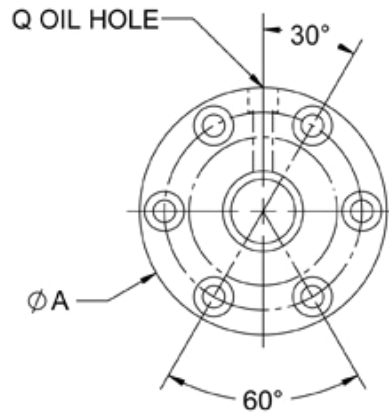
## BSC-AAM-SFVR-012-05-RC7-P1-375



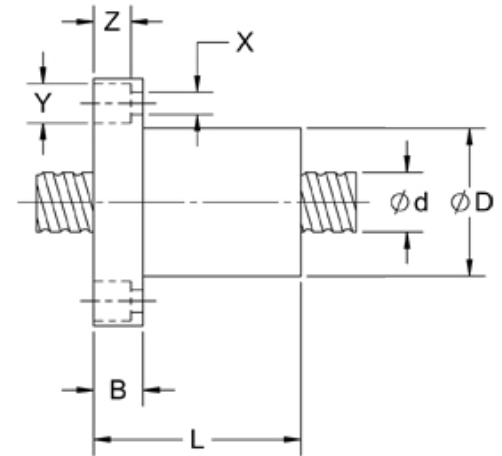
L010975



Double Cut Flange



Circular Flange



Units are in mm

Model No.	d	l	Da	D	A	B	L	W	H	X	Y	Z	Q	n	Ca	Coa	K	H*	I: Lead	Da: Ball Dia.	n: Number of Circuits	K: Stiffness (kgf)	H*: Helix
																			Ca: Basic Dynamic Rating Load (kgf)	Coa: Basic Static Rating Load (kgf)			
BSC-AAM-SFVR-012-05	12	5	2.5	30	50	10	42	40	32	4.5	8	4.5	M6	2.8x1	661	1316	19	R					
BSC-AAM-SFVR-016-04	16	4	2.381	34	57	11	45	45	34	5.5	9.5	5.5	M6	3.8x1	931	2285	31	R					
BSC-AAM-SFVR-016-05	16	5	3.175	40	63	11	58	51	42	5.5	9.5	5.5	M6	4.8x1	1614	3662	40	R					
BSC-AAM-SFVR-016-10	16	10	3.175	40	63	11	56	51	42	5.5	9.5	5.5	M6	2.7x1	1008	2161	24	R					
BSC-AAM-SFVR-020-04	20	4	2.381	40	60	10	50	50	40	4.5	8	4	M6	4.8x1	1247	3584	45	R					
BSC-AAM-SFVR-020-05	20	5	3.175	44	67	11	57	55	52	5.5	9.5	5.5	M6	4.8x1	1814	4650	47	R					
BSC-AAM-SFVR-025-05	25	5	3.175	50	73	11	55	61	52	5.5	9.5	5.5	M8	4.8x1	2017	5884	56	R					
BSC-AAM-SFVR-025-10	25	10	6.35	68	102	15	70	84	82	9	14	8.5	M8	2.7x1	3040	6547	37	R					
BSC-AAM-SFVR-032-04	32	4	2.381	54	81	12	50	67	64	6.6	11	6.5	M6	4.8x1	1517	5806	62	R					
BSC-AAM-SFVR-032-05	32	5	3.175	58	85	12	56	71	64	6.6	11	6.5	M8	4.8x1	2249	7612	66	R					
BSC-AAM-SFVR-032-10	32	10	6.35	74	108	15	96	90	82	9	14	9	M8	4.8x1	5620	14649	76	R					
BSC-AAM-SFVR-032-20	32	20	6.35	74	108	16	100	90	82	9	14	8.5	M8	2.7x1	3509	8644	46	R					
BSC-AAM-SFVR-040-05	40	5	3.175	67	101	15	59	83	72	9	14	8.5	M8	4.8x1	2468	9586	76	R					
BSC-AAM-SFVR-040-10	40	10	6.35	82	124	18	100	102	94	11	17.5	11	M8	4.8x1	6316	18600	90	R					
BSC-AAM-SFVR-040-20	40	20	6.35	82	124	18	100	102	90	11	17.5	11	M8	2.7x1	3935	10893	56	R					
BSC-AAM-SFVR-050-05	50	5	3.175	80	114	15	60	96	82	9	14	8.5	M8	4.8x1	2698	12053	87	R					
BSC-AAM-SFVR-063-10	63	10	6.35	108	154	22	105	130	110	14	20	13	M8	4.8x1	7860	30430	126	R					
BSC-AAM-SFVR-063-20	63	20	9.525	122	180	28	120	150	130	18	26	17.5	M8	2.7x1	8162	24741	80	R					
BSC-AAM-SFVR-080-10	80	10	6.35	130	176	22	105	152	132	14	20	13	M8	4.8x1	8593	38344	145	R					
BSC-AAM-SFVR-080-20	80	20	9.525	143	204	28	180	172	148	18	26	18	M8	4.8x1	15103	57296	168	R					

Units are in mm

\*PLEASE NOTE - Each standard ball screw includes **one** nut. Additional nuts will be considered a custom request, and will require creation of a special part number.