

TBI-TRS35 - Linear Guides

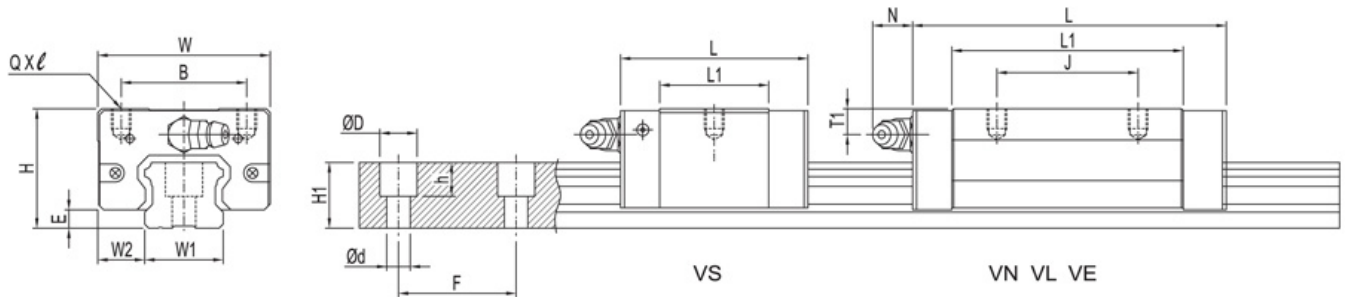
FEATURES

- Size: 35mm Linear Guide Rail
- Dynamic Load: Up to 49.92 kN
- Static Load: Up to 81.85 kN
- Rail Lengths Up to 4 Meters
- Custom Rail Sizes Available
- Matched Bearing Blocks
- End-Seal Options: Standard or Reinforced
- Pre-Load: Clearance, Standard, or Light



DESCRIPTION

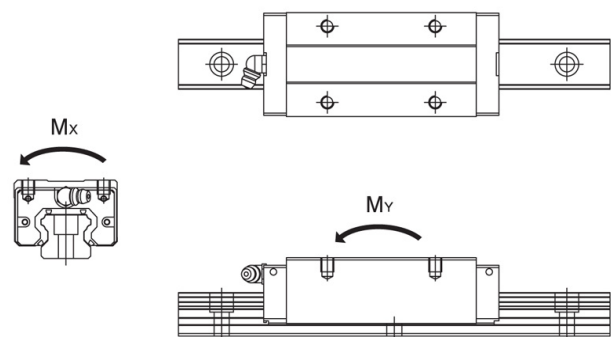
TBI's high-quality linear guides deliver precision, durability, and affordability in one single package! Available in a 35mm size, this sleek, high-quality design incorporates the rail and the block together to provide a convenient, easy-to-use product. Little friction resistance allows for high accuracy and speed, while several preload options are available for increased rigidity and performance. They are offered in standard or custom lengths, and are ideal for dynamic loads up to 49.92 kN and static loads up to 81.85 kN



Block Part Number	Fabrication Dimensions (mm)			Block Dimensions (mm)								Load Capacities (kN)		Static Moment (Nm)			Weight (lbs)
	H	W ₂	E	W	B	J	L	L ₁	QxL	T	N	C	C ₀	M _x	M _y	M _z	
TBI-TRS35VN-N-Z0	48	18	7.5	70	50	50	108	79	M8x8	8	12	49.9	81.9	1399.6	1040.2	1040.2	2.2
TBI-TRS35VE-N-Z0	48	18	7.5	70	50	72	153	123	M8x8	8	14	65.38	120.3	2058.2	2294.5	2294.5	2.5

DIMENSIONS

Rail Part Number	Rail Dimensions (mm)							Weight (lbs)
	W ₁	H ₁	F	D	d	d x D x h	Rail Length (mm)	
TBI-TR35N-0250-45-45	34	26	80	14	9	9 x 14 x 12	250	3.5
TBI-TR35N-0300-30-30	34	26	80	14	9	9 x 14 x 12	300	4.2
TBI-TR35N-0500-10-10	34	26	80	14	9	9 x 14 x 12	500	6.9
TBI-TR35N-0700-30-30	34	26	80	14	9	9 x 14 x 12	700	9.7
TBI-TR35N-0900-10-10	34	26	80	14	9	9 x 14 x 12	900	12.5
TBI-TR35N-1100-30-30	34	26	80	14	9	9 x 14 x 12	1100	15.2
TBI-TR35N-1300-10-10	34	26	80	14	9	9 x 14 x 12	1300	18.0
TBI-TR35N-1500-30-30	34	26	80	14	9	9 x 14 x 12	1500	20.7
TBI-TR35N-1700-10-10	34	26	80	14	9	9 x 14 x 12	1700	23.5
TBI-TR35N-1900-30-30	34	26	80	14	9	9 x 14 x 12	1900	26.3
TBI-TR35N-2100-10-10	34	26	80	14	9	9 x 14 x 12	2100	29.0
TBI-TR35N-2300-30-30	34	26	80	14	9	9 x 14 x 12	2300	31.8
TBI-TR35N-2500-10-10	34	26	80	14	9	9 x 14 x 12	2500	34.6
TBI-TR35N-2700-30-30	34	26	80	14	9	9 x 14 x 12	2700	37.3
TBI-TR35N-2900-10-10	34	26	80	14	9	9 x 14 x 12	2900	40.1
TBI-TR35N-3100-30-30	34	26	80	14	9	9 x 14 x 12	3100	42.9
TBI-TR35N-3300-10-10	34	26	80	14	9	9 x 14 x 12	3300	45.6
TBI-TR35N-3500-30-30	34	26	80	14	9	9 x 14 x 12	3500	48.4
TBI-TR35N-3700-10-10	34	26	80	14	9	9 x 14 x 12	3700	51.2
TBI-TR35N-3900-30-30	34	26	80	14	9	9 x 14 x 12	3900	53.9
TBI-TR35N-4000L	34	26	80	14	9	9 x 14 x 12	4000	55.3



L011028