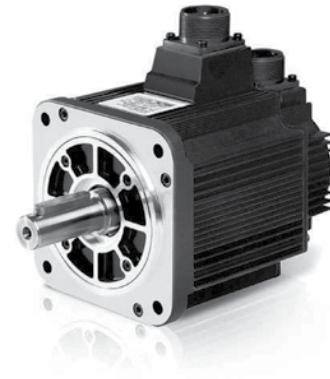


EML-10 Servo Motor

FEATURES

- Torque Rating of 1,352 oz.-in.
- Medium Inertia to Maximize Torque
- Peak Torque up to 300% of Rated Torque
- Peak Current up to 300% of Rated Current
- Speed of up to 1,500 RPM
- 2,500 PPR Incremental Encoder Attached
- Totally Enclosed, Self-Cooled
- Power Rating up to 1.0 kWatts
- Oil Seal, and Optional Brake
- Long Life and Highly Reliable
- Neodymium-Iron-Boron Magnets (NdFeB)
- CE Certified



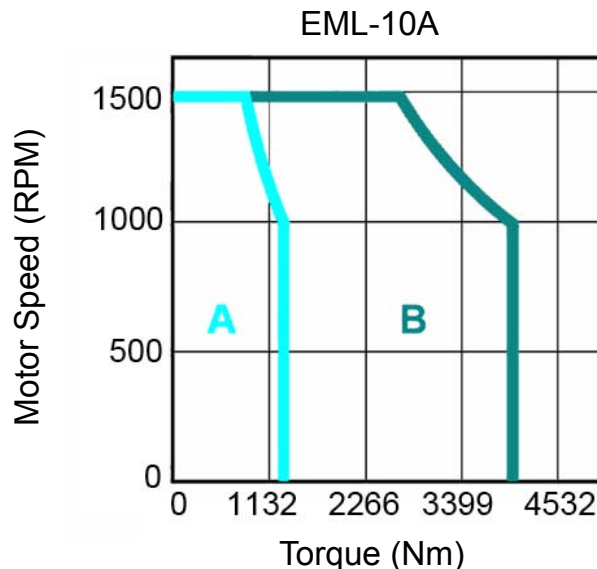
DESCRIPTION

Anaheim Automation's Digital AC Servo Motors offer a simple solution to servo applications involving speed and positioning control. The AC EML-10 Servo Motor comes standard with a 2,500 Pulses Per Revolution (PPR) Incremental Encoder, runs at a maximum speed of 1,500 RPM, provides peak values up to 300% of the rated torque and current values, and has a rated torque of 1,352 oz-in with a 1.0 kWatt power rating. These enclosed and self-cooled motors also provide longer motor life and higher reliability. The EML-10 AC Servo Motors enable industrial motion control applications with medium inertia to attain a great combination of speed and positioning functionality.

SPECS

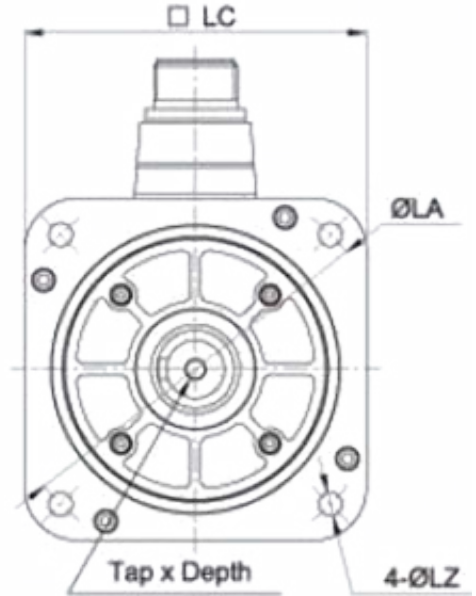
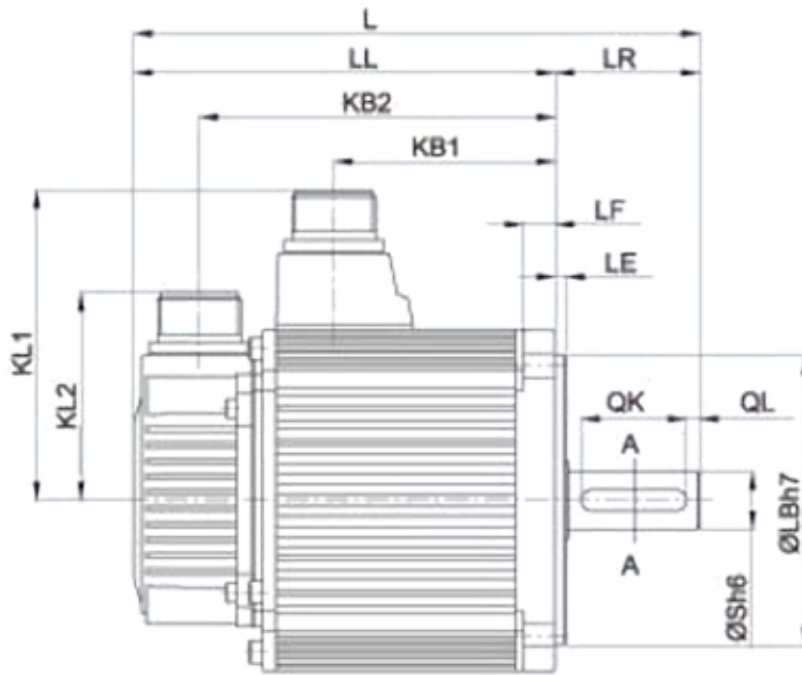
Model #	Rated Torque (oz-in)	Rated Power (Watts)	Rated Speed (rpm)	Max Speed (RPM)	Rated Current (A rms)	Brake (24VDC)	Inertia (oz-in-sec ²)	Electric Time Constant T _E (ms)	Back EMF Voltage K _E (V/krpm)	Torque Constant K _T (oz-in/A)	Resistance (ohms)	Weight (lbs)
EML-10APB22	1352	1000	1000	1500	5.5	No	0.3327	7.1	124	303.7	1.616	24.5
EML-10APB24	1352	1000	1000	1500	5.5	Yes	0.3483	7.1	124	303.7	1.616	31.4

TORQUE VS SPEED

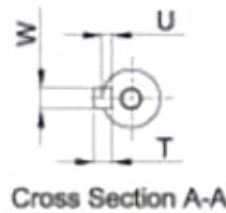


A: Continuous Working Area
 B: Repeatedly Working Area

L010738



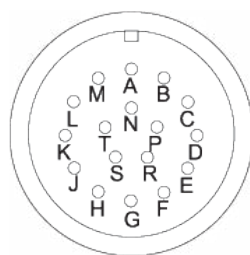
Note: All Dimensions in (mm)



MODEL #	L	LL	KB1	KB2	KL1	KL2	FLANGE SLIDE							S	TapxDepth	KEY				
							LR	LE	LF	LC	LA	LB	LZ			QK	QL	W	T	U
EML-10APB22	265	210	134	185	118	79	55	4	12	130	145	110	9	22	M6x20L	40	5	8	7	4
EML-10APB24	319.5	264.5	134	187.5	118	79	55	4	12	130	145	110	9	22	M6x20L	40	5	8	7	4

Encoder Connector Specification:

Receptacle	Plug	Cable Clamp
MS3102A20-29P	MS3108B20-29S	MS3057-12A

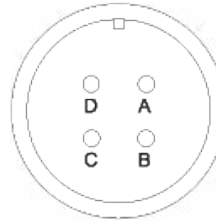


Pin No.	Signal	Color
A	A+	BLUE
B	A-	BLUE/BLACK
C	B+	GREEN/BLACK
D	B-	GREEN
E	C+	YELLOW
F	C-	YELLOW/BLACK
G	PG 0V	BLACK
H	PG 5V	RED
J	FG	SHIELD

Motor Connector Specification:

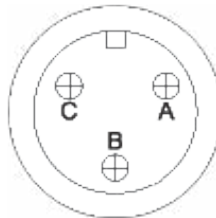
Receptacle	Plug	Cable Clamp
MS3102A20-4P	MS3108B20-4S	MS3057-12A

Pin No.	Signal
A	U
B	V
C	W
D	FG


Brake Connector Specification:

Receptacle	Plug	Cable Clamp
MS3102A10SL-3P	MS3106A10SL-3S	MS3057-4A

Pin No.	Signal
A	B1
B	B2
C	--



Power Requirement: 220VAC	Vibration: 49 m/s ²	Running Air Pressure: 86 to 106 kPa
Insulation Class: F	Ambient Temperature: 20% to 80% RH	Insulation Voltage Endurance: AC 1800V, 50Hz, 1 min
Ambient Temperature: 0°C to 40°C	Running Humidity: Not More Than 90%, Under 25°C	Insulation Impedance: Not Less Than 50M Under Normal Conditions
Running Temperature: -25°C to 40°C		

Compatible Drivers:

Part Number	Description
PRONET-10A	Servo Driver


Compatible Cables:

Part Number	Description
PDM-GA16-05	Power Cable
BMP-GA24-05	Encoder Cable
PRONET-PSC-CC24-02	Comm. Cable

