

# KNC-PKS-FD432S-20 - Servo System



## FEATURES

- 176-253VAC
- Rated Torque of 1359 oz-in
- Power Ratings up to 2000 Watts
- 2,500 PPR Incremental Encoder
- Maximum Speed of 5800 RPM
- IP65 for Body, IP54 Shaft Seal
- Brake Option Available
- Position, Speed, and Torque Control
- RS232 and RS485 Ports
- Modbus RTU



## DESCRIPTION

The KNC-PKS-FD432S-20 Servo System includes a 2000 Watt KNC-SRV-SMC130D-0200-20AAK-4LKP or KNC-SRV-SMC130D-0200-20ABK-4LKP Servo Motor with Brake, operated by the KNC-SRV-FD432S-LA-000 Servo Drive. These packages are ideal and provide easy start-ups, convenience and performance. The Servo Motors included in these packages provide torque up to 1359 oz-in. The KNC-SRV-FD432S-LA-000 Servo Drive offers current forward-feedback control, acceleration forward-feedback control, speed viewer and inertia viewer; providing for improved response performance. Each system includes a 5m Motor Power Cable and a 5m Encoder Cable. If purchasing the option with a Brake then a 5m Brake Cable will be included as well.

## SPECIFICATIONS

Item	Rated Voltage (VAC)	Rated Speed (RPM)	Rated Torque (oz-in)	Rated Current (Arms)	Inertia (oz-in-sec <sup>2</sup> )	Torque Constant KT (oz-in/A)	Resistance (ohms)	Inductance (mH)	Brake (24VDC)	Motor Length (mm)	Shaft Diameter (mm)
KNC-PKS-FD432S-20-C13D-AAK-LKP	176-253	2000	1359	8.2	0.2506	176	0.93	8.8	No	179	22
KNC-PKS-FD432S-20-C13D-ABK-LKP	176-253	2000	1359	8.2	0.2520	176	0.93	8.8	Yes	240	22

L011761

# SMC130D-0200 Motor Specifications



## FEATURES

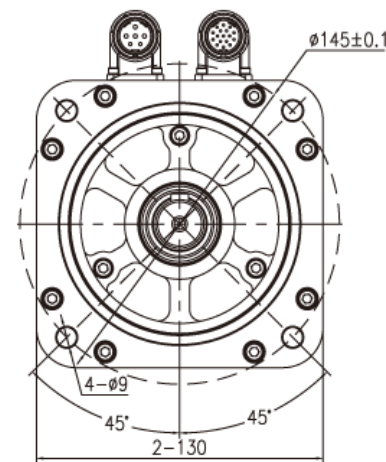
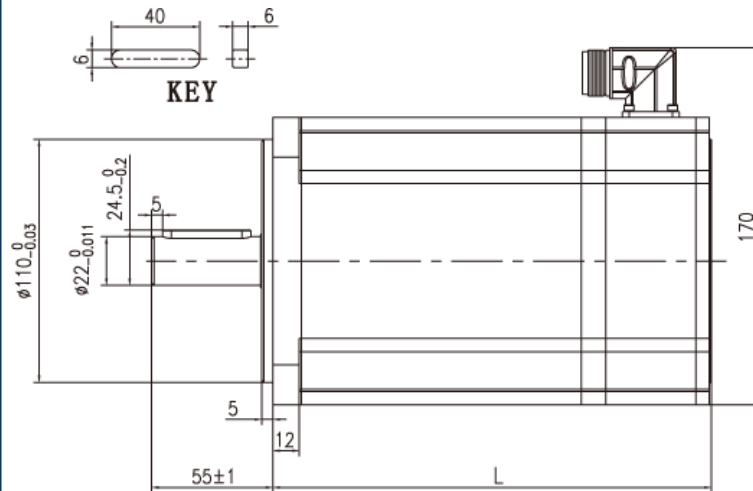
- 220VAC
- 2000 W Power Rating
- Rated Torque of 1359 oz-in
- Maximum Speed of 2900 rpm
- 2500 PPR Incremental Encoder Attached
- IP65 for Body, IP54 Shaft Seal
- Brake Option Available
- CE Certified



## SPECS

Item	Rated Torque (oz-in)	Rated Power (Watts)	Rated Speed (rpm)	Rated Current (Arms)	Inertia (oz-in-sec <sup>2</sup> )	Torque Constant KT (oz-in/A)	Resistance (ohms)	Inductance (mH)	Length "L" (mm)	Weight (lbs)
KNC-SRV-SMC130D-0200-20AAK-4LKP	1359	2000	2000	8.2	0.2506	176	0.93	8.8	179	20.06
KNC-SRV-SMC130D-0200-20ABK-4LKP	1359	2000	2000	8.2	0.2520	176	0.93	8.8	240	25.13

## DIMENSIONS



Note: All Dimensions in (mm)

# FD432S-LA-000 Driver Specifications

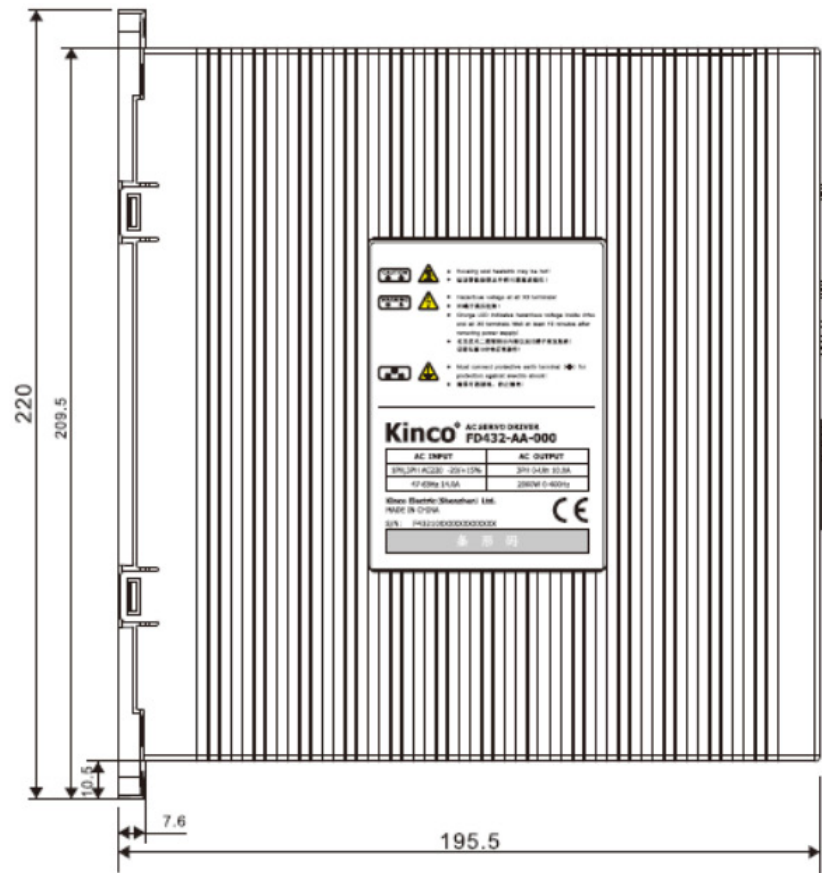
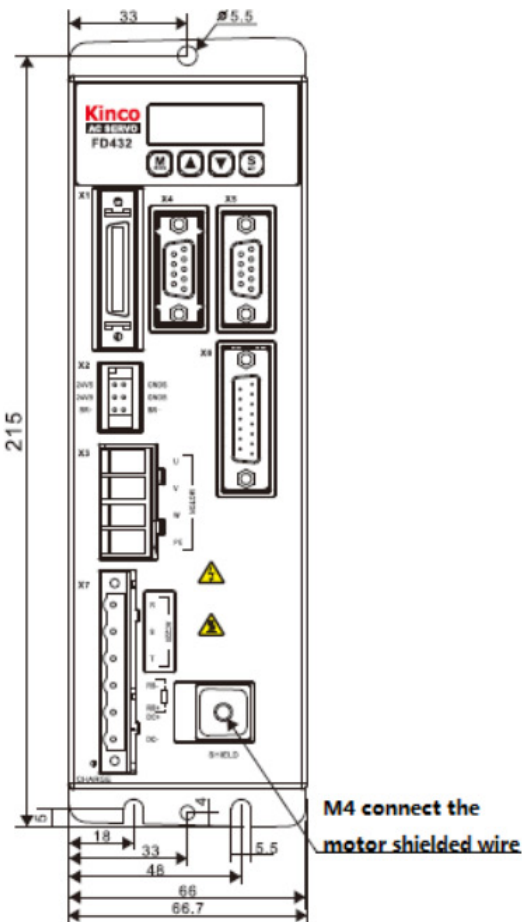


## FEATURES

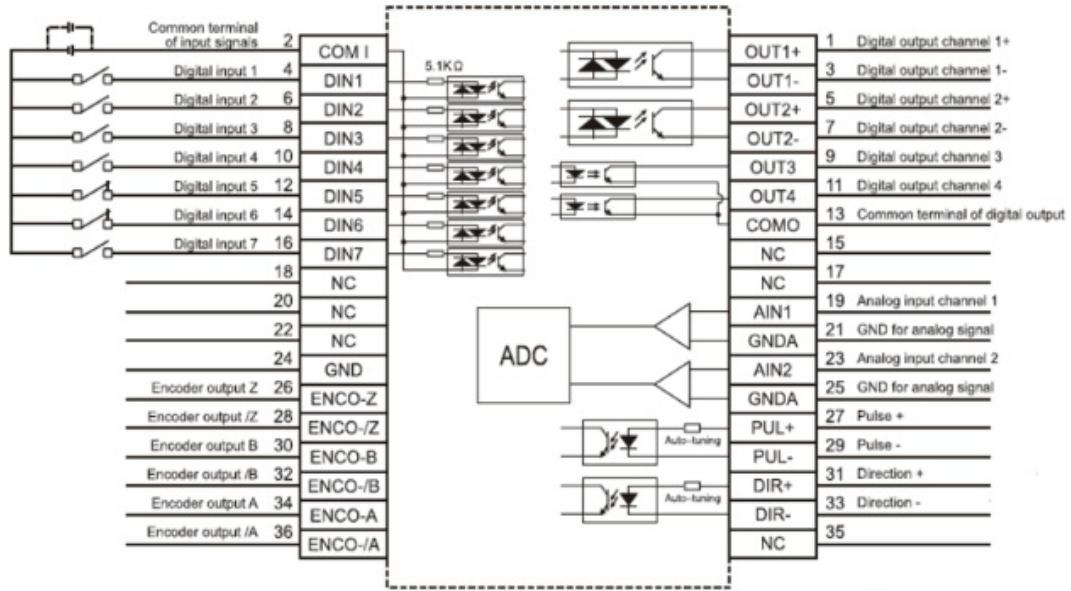
- 176-253VAC Single or Three-Phase Input
- 1000-2000 Watt Power Range
- Position, Speed and Torque Control
- RS232 and RS485 Port
- Communication Protocol: MODBUS
- Requires 2500 PPR Encoder Input
- 7 Inputs, 4 Outputs
- CE Certified



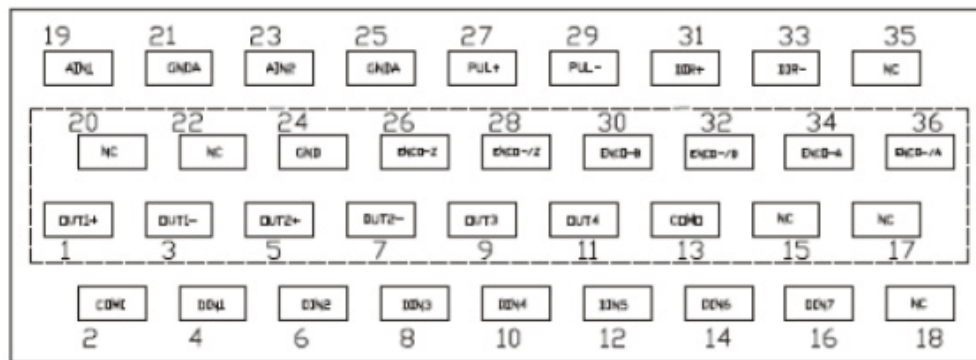
## DIMENSIONS



Note: All Dimensions in (mm)



X1



Pin #	Signal	Pin #	Signal	Pin #	Signal	Pin #	Signal
2	COM1	1	OUT1+	20	NC	19	AIN1
4	DIN1	3	OUT1-	22	NC	21	GNDA
6	DIN2	5	OUT2+	24	GND	23	AIN2
8	DIN3	7	OUT2-	26	ENCO-Z	25	GNDA
10	DIN4	9	OUT3	28	ENCO-/Z	27	PUL+
12	DIN5	11	OUT4	30	ENCO-B	29	PUL-
14	DIN6	13	COM0	32	ENCO-/B	31	DIR+
16	DIN7	15	NC	34	ENCO-A	33	DIR-
18	NC	17	NC	36	ENCO-/A	35	NC

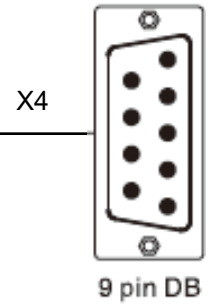


**RS485**

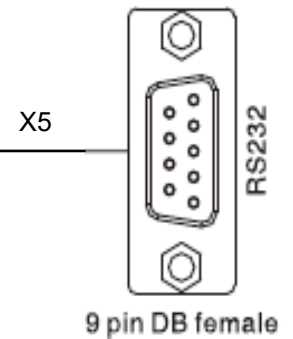
PIN Number	Signal
1	NC
2	RX+
3	TX+
4	NC
5	GND
6	+5V
7	RX-
8	TX-
9	NC

**CAN**

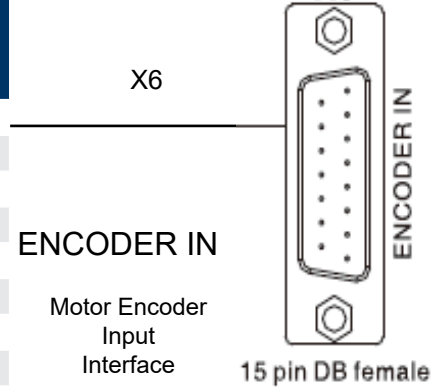
PIN Number	Signal
1	NC
2	CAN_L
3	GND
4	NC
5	NC
6	NC
7	CAN_H
8	NC
9	NC


**RS232**

PIN Number	Signal
1	NC
2	TX
3	RX
4	NC
5	GND
6	NC
7	NC
8	NC
9	NC



PIN No.	Signal	PIN No.	Signal
1	+5V	9	GND
2	A	10	/A
3	B	11	/B
4	Z	12	/Z
5	U	13	/U
6	V	14	/V
7	W	15	/W
8	PTC_IN		



<b>Operation Environment</b>	Operating Temperature	0 ~ 40°C
	Storage Temperature	-10° C~70°C
	Humidity (Non-Condensing)	Below 90%RH
	Protection Class	IP20
	Installation Environment	Installed in a Dust-Free, Dry and Lockable Environment (Such as in a Electrical Cabinet)
	Installation Mode	Vertical Installation
	Altitude	No Power Limitation Below 1000m
	Atmospheric Pressure	86kpa-106kpa

Model Parameter		KNC-SRV-FD432S-LA-000
Power	Main Supply Voltage	Single-Phase or Three-Phase AC220V -20/+15% 47~63Hz
	Control Circuit Voltage	18VDC~30VDC 1A
Current	Rated Current (RMS)	10A
	Peak Current (PEAK)	27.5A
Feedback Signal		2500PPR (Incremental Encoder with 5V Supply)
Brake Chopper		Use an External Braking Resistor According to Application, Mainly in Occasion of Quick Stop
Brake Chopper Threshold		DC380V ± 5V
Over-Voltage Alarming Threshold		DC400V ± 5V
Under-Voltage Alarming Threshold		DC200V ± 5V
Cooling Method		Fan
Weight		2.4 Kg
Digital Input	Input Specification	7 Digital Inputs, with COM1 Terminal for PNP (High Level Valid 12.5-30V) or NPN (Low Level Valid) Connection.
	Input Function	Define Freely According to Requirement, Supporting Following Functions: Driver Enable, Driver Fault Reset, Driver Mode Control, Proportional Control, Positive Limit, Negative Limit, Homing Signal, Reverse Command, Internal Speed Section Control, Internal Positive Section Control, Quick Stop, Start Homing, Active Command, Switch Electronic Gear Ratio, Switch Gain.
Digital Output	Output Specification	4 Digital Outputs, OUT1-OUT4 Current is 100mA, BR+/BR- (Brake Control Output) Current is 500mA, Can Drive Brake Device Directly)
	Output Function	Define Freely According to Requirement, Supporting Following Functions: Driver Ready, Driver Fault, Position Reached, Motor at Zero Speed, Motor Brake, Motor Speed Reached, Z Signal, Maximum Speed Obtained in Torque Mode, Motor Brake, Position Limiting, Reference Found, Multi-Position Reached
	Analog Input	2 Analog Input Can Be Used to Control Speed and Torque, the Input Range is - 10V~10V
	Encoder Signal Output	Output the Encoder Signal of Motor, Used in Multiple Axis Synchronous Control, Supports 2MHz at Most
	RS232	The Max. Baudrate is 115.2KHz, Use JD-PC Software to communicate with PC, or Via Free Protocol to communicate with controller.
	Protection Functions	Over-Voltage Protection, Under-Voltage Protection, Motor Over-Heat Protection (I <sup>2</sup> T), Short-Circuit Protection, Drive Over-Heat Protection, Etc.
	RS485	The Max. 115.2KHz, use Modbus RTU protocol to communicate with controller

### Compatible Drivers

Part Number	Description
KNC-SRV-FD432S-LA-000	Servo Driver



### Compatible Motors

Part Number	Description
KNC-SRV-SMC130D-0200-20AAK-4LKP	Servo Motor
KNC-SRV-SMC130D-0200-20ABK-4LKP	Servo Motor



### Compatible Cables

Part Number	Description
KNC-SRV-MOT-008-05-KC4	Power Cable
KNC-SRV-MOT-008-05-KC4-B	Power Cable with Brake
KNC-SRV-ENCCA-05-KC0	Encoder Cable

