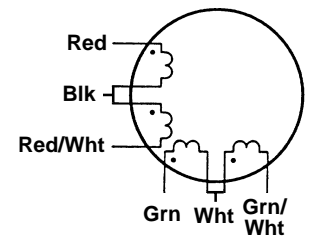
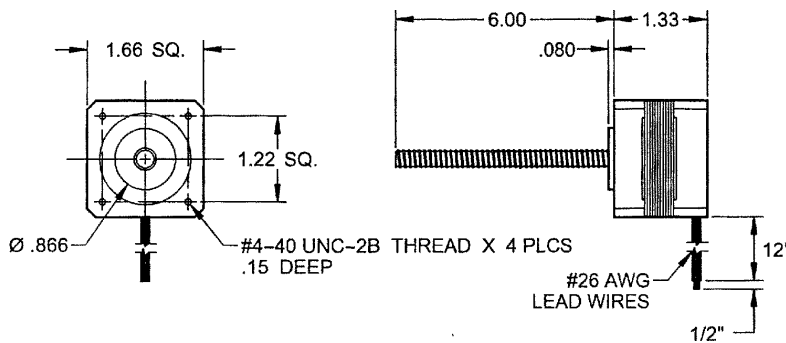


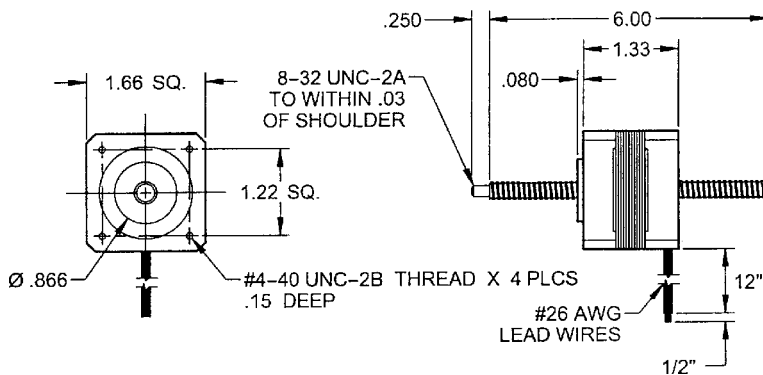
- **High Performance**
- **Efficient & Durable**
- **Long Life Expectancy**
- **Ideal for Precise Positioning**
- **Size 17 Non-Captive Shaft**
- **Size 17 External Linear**

### External Linear Actuator Dimensions



**6-Lead Configuration (Flying Leads)**

### Non-Captive Actuator Dimensions



Connection	Lead Name	Lead Color
4 Lead Bipolar Series	A	Red
	$\bar{A}$	Red/White
	B	Green
	$\bar{B}$	Green/White
	None	Black
	None	White
6 Lead Unipolar	Phase 1	Red
	Phase 3	Red/White
	Phase 2	Green
	Phase 4	Green/White
	Common 1 & 3	Black
	Common 2 & 4	White

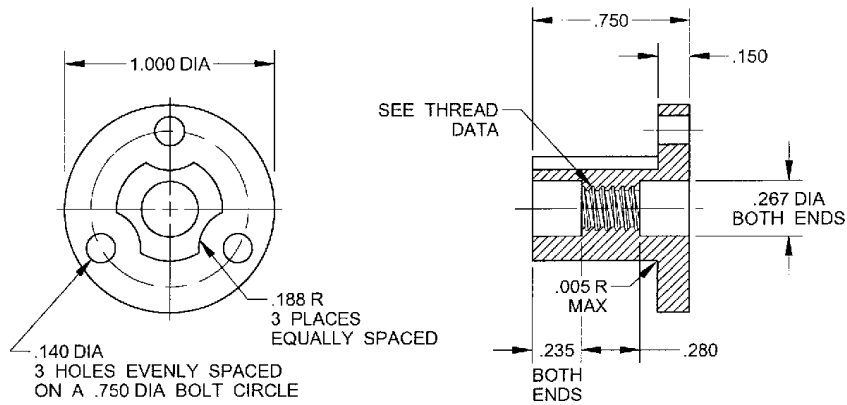


**ANAHEIM AUTOMATION**

910 East Orangefair Lane, Anaheim, CA 92801  
e-mail: info@anaheimautomation.com

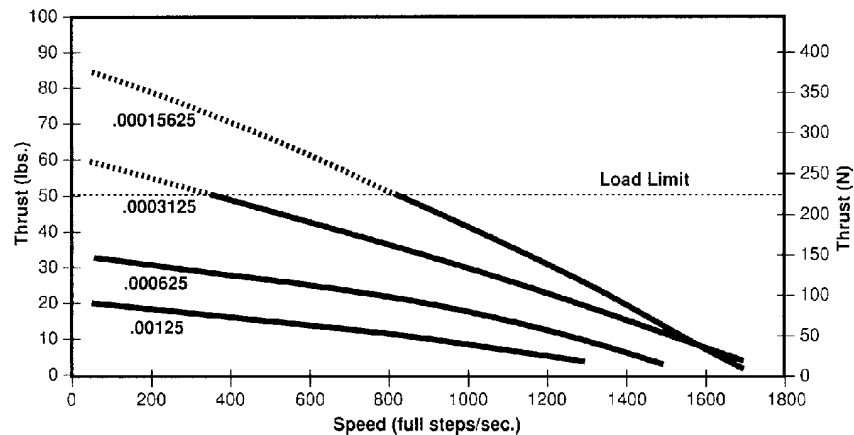
(714) 992-6990 fax: (714) 992-0471  
website: www.anaheimautomation.com

## Nut Dimensions



## Torque Speed Curves: Bipolar, Chopper Drive, 100% Duty Cycle

### Ø .250 (6.35) Lead Screw



**Note:** All chopper drive curves were created with a 5 volt motor and a 40 volt power supply.

## Ordering Information

Model Number	Travel / Step (")	Frame Size	Max Thrust (Lbs.)	Unipolar Current (A)	Unipolar Voltage (V)	Unipolar Resistance (ohm)	Weight (oz)	Degree / Full Step	Leadscrew Diameter (")	# of Leads
17AH103C	0.00125	17	20	0.690	5.0	7.2	8	1.8	0.250	6
17AH103F	0.000625	17	35	0.690	5.0	7.2	8	1.8	0.250	6
17AH103B	0.0003125	17	50	0.690	5.0	7.2	8	1.8	0.250	6
17AH103H	0.00015625	17	50	0.690	5.0	7.2	8	1.8	0.250	6
17AH101C	0.00125	17	20	0.290	12.0	41.5	8	1.8	0.250	6
17AH101F	0.000625	17	35	0.290	12.0	41.5	8	1.8	0.250	6
17AH101B	0.0003125	17	50	0.290	12.0	41.5	8	1.8	0.250	6
17AH101H	0.00015625	17	50	0.290	12.0	41.5	8	1.8	0.250	6

**Note:** Add NC for Non-Captive Type. Add EL for External Linear Type.

Example: 17AH103C-NC  
17AH103C-EL



**ANAHEIM AUTOMATION**

910 East Orangefair Lane, Anaheim, CA 92801  
e-mail: info@anaheimautomation.com

(714) 992-6990 fax: (714) 992-0471  
website: www.anaheimautomation.com