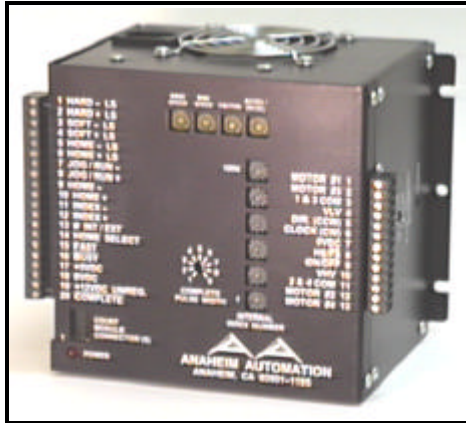


USER'S MANUAL

MODEL DPD72451 MANUAL PRESET INDEXER DRIVER PACK



ANAHEIM AUTOMATION

910 E. Orangefair Lane

Anaheim, CA 92801

Phone: (714) 992-6990

Fax: (714) 992-0471

http://www.anaheimautomation.com

email: info@anaheimautomation.com

COPYRIGHT

© 1997 by Anaheim Automation. All rights reserved. No part of this publication may be reproduced, transmitted, transcribed, stored in a retrieval system, or translated into any language, in any form or by any means, electronic, mechanical, magnetic, optical, chemical, manual, or otherwise, without the prior written permission of Anaheim Automation, 910 E. Orangefair Lane, Anaheim, CA 92801.

DISCLAIMER

Though every effort has been made to supply complete and accurate information in this manual, the contents are subject to change without notice or obligation to inform the buyer. In no event will Anaheim Automation be liable for direct, indirect, special, incidental, or consequential damages arising out of the use or inability to use the product or documentation.

Anaheim Automation's general policy does not recommend the use of its' products in life support applications wherein a failure or malfunction of the product may directly threaten life or injury. Per Anaheim Automation's Terms and Conditions, the user of Anaheim Automation products in life support applications assumes all risks of such use and indemnifies Anaheim Automation against all damages.

LIMITED WARRANTY

All Anaheim Automation products are warranted against defects in workmanship, materials and construction, when used under Normal Operating Conditions and when used in accordance with specifications. This warranty will be in effect for a period of twelve months from the date of purchase or eighteen months from the date of manufacture, whichever comes first. Warranty provisions may be voided if products are subjected to physical modifications, damage, abuse, or misuse.

Anaheim Automation will repair or replace at its' option, any product which has been found to be defective and is within the warranty period, provided that the item is shipped freight prepaid, with previous authorization (RMA#) to Anaheim Automation's plant in Anaheim, California.

TECHNICAL SUPPORT

If you should require technical support or if you have problems using any of the equipment covered by this manual, please read the manual completely to see if it will answer the questions you have. Be sure to look in the TROUBLESHOOTING section located in this manual. If you need assistance beyond what this manual can provide, contact your local Distributor where you purchased the unit, or contact the factory direct.

TRADEMARKS

Control Link and Driver Pack are registered trademarks of Anaheim Automation.

TABLE OF CONTENTS

	PAGE
INTRODUCTION	2
DESCRIPTION and FUNCTION	3
MANUAL PRESET INDEXER	3
BLD72 BILEVEL DRIVE	7
HOOKUP DIAGRAM	9
WIRING DIAGRAM	11
USING THE MANUAL PRESET INDEXER	12
SELECTING MOTION PARAMETERS	13
HOMING MODES	15
SETTING THE MOVE DISTANCE	16
JUMPERS	17
COUNT INPUT MODULES	18
SPECIFICATIONS	22
X250A VERSION	24
TROUBLESHOOTING	25

INTRODUCTION

The DPD72451 Driver Pack contains a Bilevel Step Motor Driver (BLD72), a Manual Preset Indexer board, a Transformer, and a cooling fan. Figure 1 shows the general configuration and layout of the DPD72451 Driver Pack. The Thumbwheel Switch is used to set the index (number of steps or move distance) and the Manual switches and/or PLC are used to initiate indexing, homing or jogging.

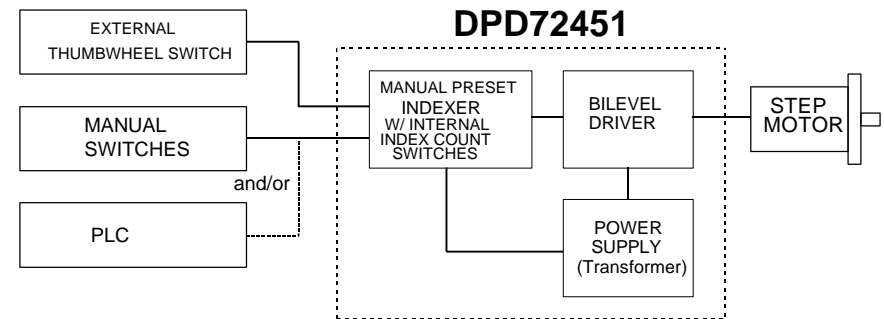


FIGURE 1

The Manual Preset Indexer is ideal for applications which are repetitive and require accurate positioning. Some areas where Manual Preset Indexers are commonly used are:

- Robotics
- Machine Control
- Packaging
- Assembly Automation
- Fluid Control and Mixing Systems
- Table Positioning Systems
- Photographic Controls
- Custom Motion Control
- Cut - to - Length

DESCRIPTION AND FUNCTION

MANUAL PRESET INDEXER BOARD

The Manual Preset Indexer board utilizes the PI45 Preset Indexer integrated circuit (I.C.). Functions available are Home, Hard and Soft Limit inputs, two Homing modes, Jog/Run, Fast Jog and switch selectable Base Speed, Maximum Speed, Acceleration/Deceleration.

This board includes the necessary buffering and other circuitry for the PI45 chip that makes indexing easy. The board can be operated manually or with a Programmable Logic Controller (PLC) to index a set of pulses determined by the internal count switches or an external count module, such as the AA1760-5 or similar device.

Indexer board features include:

- Internal Index Count switches
- Pulse Rates up to 14,792 pulses per second
- CW and CCW Home, Hard, and Soft Limit inputs
- Adjustable Motion "Complete" output
- Motion "Busy" output
- Clock pulses and step direction outputs
- CW and CCW Index inputs
- CW and CCW Jog/Run and Fast Jog inputs
- Two "Go to Home Position" modes
- TTL-MOS Compatible
- Pulse and reset outputs and coincidence inputs for interfacing with a 2 to 6 decade thumbwheel, rotary switch assembly or similar device

MANUAL PRESET INDEXER TERMINAL (P1) DESCRIPTION

<u>PIN</u>	<u>FUNCTION</u>	<u>DESCRIPTION</u>
1	-HARD LIMIT	When active low, this signal instructs the step motor to halt all motion in CCW direction.
2	+HARD LIMIT	Same as -HARD LIMIT except in CW direction.
3	-SOFT LIMIT	When active low, this signal instructs the step motor to ramp down to base speed and complete the move. Input active during a -Index or -Home function.
4	+SOFT LIMIT	Same as -SOFT LIMIT except in CW direction.
5	-HOME LIMIT	Used in H0 Homing mode in conjunction with -Soft Limit. Giving -Home command (active low) causes motor to ramp to high speed in the CCW direction until -Soft Limit is contacted. At contact, motor will decelerate to base speed and run until the -Home Limit is contacted, at which time the motor will stop.
6	+HOME LIMIT	Same as -HOME LIMIT except in CW direction.
7	-JOG/RUN	A low level on this line causes the step motor to take one step in the CCW direction. Normally, the JOG/RUN inputs are manipulated by external pushbutton switches. A single depression of the switch causes a "jog" operation, while holding the switch down for 0.5 seconds causes a "slow run" condition. This command may be used with FAST to perform a fast run at the base speed rate.
8	+JOG/RUN	Same as -JOG/RUN except in CW direction.
9	-HOME	A low level on this line instructs the step motor to move to the home position via the CCW direction. (See HOME SELECT)
10	+HOME	Same as -HOME except in CW direction.
11	-INDEX	When low, this signal causes the PI45 chip to read the current motion parameters and number of steps from the thumbwheel switches and command the motor to step the indicated distance in the CCW direction. (See -SOFT LIMIT). NOTE : If -SOFT LIMIT is encountered during an Index, the motor will decelerate to base speed and complete the Index.

- 12 +INDEX Same as -INDEX, but commands a CW step motion.
- 13 #INT/EXT This input determines which set of switches will be used for counting. A logic "1" or open selects the Internal Index Count Number. A logic "0" selects the count of an external counter module.
- 14 HOME SELECT This input selects the type of "Home" operation to perform: When active low, H0 Homing Mode is selected. It is a standard deceleration and stop on switch operation. In essence, type H0 is a combination of the HOME and SOFT limit commands. When active high, H1 Homing Mode is selected. H1 is used for anti-backlash protection. It performs a decelerate, reverse, return off switch operation. NOTE: the switch must remain closed during deceleration, reverse, and return in H1 Mode.
- 15 FAST When active low, it is used in conjunction with JOG/RUN to cause a fast run (base speed) operation in the specified direction.
- 16 BUSY This open collector switch output is ON when the motor is moving. This output can sink 0.5A and stand off 40Vdc maximum. A 10k ohm pullup resistor can be jumpered in place to provide TTL levels (see section on Jumpers).
- 17 CLOCK This output is an open collector output, 15 microseconds wide (minimum) that is the clock input for the motor driver. It is buffered to assure adequate drive for an LS-TTL input. This signal is internally connected to the driver.
- 18 0VDC Ground (0Vdc).
- 19 DIRECTION Clockwise (CW) motion causes this output to be active high i.e. logic "1". Counterclockwise motion causes this output to be active low i.e. logic "0". This output tells the motor driver which direction to run. This signal is internally connected to the driver.
- 20 COMPLETE This open collector switch output turns on after the indexing cycle is executed. The pulse width (time that this output is on) is adjustable from about 12ms to 120ms (see Table). This output can sink 0.5A and stand off 40Vdc maximum. A 10k ohm pullup resistor can be jumpered in place to provide TTL levels. (see

section on Jumpers).

SETTING	PULSE WIDTH	SETTING	PULSE WIDTH
1	12 ms	6	79.5 ms
2	25.5 ms	7	93 ms
3	39 ms	8	106.5 ms
4	52.5 ms	9	120 ms
5	66 ms	--	--

TYPICAL HOOK-UPS FOR BUSY AND COMPLETE OUTPUTS OF THE MANUAL PRESET INDEXER BOARD:

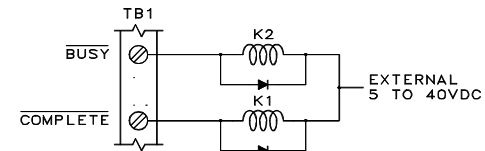


FIGURE 2

K1 will energize immediately after completion of an index cycle and remain energized for approximately an amount of time set by the "COMPLETE PULSE WIDTH" POT. K2 will be energized throughout an index cycle.

MANUAL PRESET INDEXER TERMINAL (P2) DESCRIPTION

PIN	FUNCTION	DESCRIPTION
1	+5VDC	+5VDC Regulated Voltage Supply Output
2	+12VDC Unreg	+12VDC Unregulated Voltage Supply Output
3	0VDC	Ground (0Vdc).
4	0VDC	Ground (0Vdc).
5	9 - 12VAC IN	9 - 12VAC Voltage Supply Input for PCL451 version.
6	9 - 12VAC IN	9 - 12VAC Voltage Supply Input for PCL451 version.

BLD72 BILEVEL DRIVER

The BLD72 step motor driver employs a bilevel drive technique for high-performance operation of step motors. The driver is designed to operate 4-phase, 6 or 8 lead step motors, providing high torque output and higher start-stop speeds. This driver is rated for output currents of 10 Amps/phase when running and 7 Amps/phase at standstill. The BLD72 includes fault protection

against shorted and open motor wires. If any type of fault is detected, the driver will turn off current to the motor, and the Fault LED will indicate which type of fault occurred.

BILEVEL DRIVE

The basic function of a step motor driver is to control the motor winding currents. Motor performance is determined by how fast the driver can increase and decrease the winding currents. A rapid rise in winding current is achieved by applying a high voltage directly to a motor winding until a desired current level is reached. Then a low voltage is applied to maintain a suitable holding current level. When a motor winding is de-energized (turned off), a rapid decrease in winding current is achieved by routing the energy in the collapsing field back to the power supply through a high voltage path. The high voltage supply furnishes the energy necessary to maintain motor output torque at high step rates thus providing high mechanical power output. The low voltage supply provides much of the current needed at low step rates and all of the holding current.

Bilevel drivers do not use high frequency switching techniques as chopper drivers do. Consequently, they do not create the EMI, RFI, and motor heating problems that are associated with chopper drivers.

ADJUSTING THE KICK CURRENT

The kick current level is the desired phase current level that the high voltage provides each time a step is taken. The high voltage is turned off when this level is reached. To obtain a proper setting, refer to the silkscreen on the side of the unit and adjust the potentiometer to the rated phase current of the motor. This internally sets the kick current 40% over the rated phase current.

WARNING: The kick current level must be set before operating a motor.

FAULT PROTECTION

There are three types of fault detection. When a fault is detected, the driver turns off the motor current and the red Fault LED indicates which type of fault occurred. See the Troubleshooting section for more information.

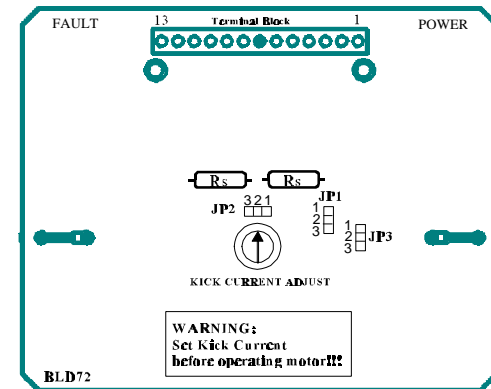
1	LED - Slow Blink	shorted wire in the motor or cable
2	LED - Fast Blink	open wire in the motor or cable
3	LED - ON Steady	ground fault (voltage shorted to 0V)

If the driver goes into a fault condition, the fault may be reset by turning the power OFF for at least 15 seconds or by pulling the RESET FAULT input (terminal 4) to a logic "0" for at least 100ms.

JUMPER FUNCTIONS/LOCATIONS

FUNCTION	JP1	JP2	JP3
NEGATIVE GOING CLOCKS	1-2	X	X
POSITIVE GOING CLOCKS	2-3	X	X
TERMINAL 5 = CCW	X	1-2	X
TERMINAL 5 = DIRECTION	X	2-3	X
GROUND FAULT DETECTION ENABLED	X	X	2-3
GROUND FAULT DETECTION DISABLED	X	X	1-2

TABLE1: JUMPERS SETTINGS

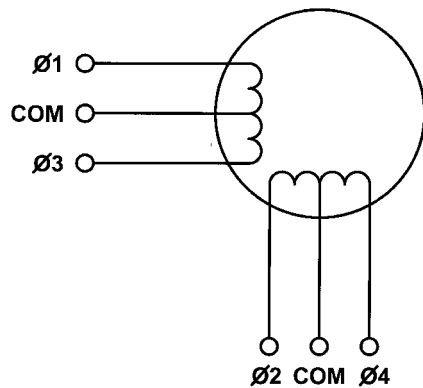


MOTOR/DRIVER CONNECTIONS

Figure 3 shows the proper connection of the step motor. The CLOCK (pin 6) and DIRECTION (pin 5) inputs on the driver terminal block are internally connected to the CLOCK and DIRECTION outputs of the indexer (nothing should be connected to these inputs).

Pin#	Description
1	Phase 1
2	Phase 3
3	Common Phase 1 & 3
4	Reset Fault Input
5	Direction (internally connected)
6	Clock (internally connected)
7	0 VDC
8	On/Off (internally connected)
9	Halfstep/ Fullstep
10	No Connection
11	Common Phase 2 & 4
12	Phase 2
13	Phase 4

Table 2: Driver Terminal Block



Phases

Figure 3: Step Motor

BLD72 DRIVER TERMINAL DESCRIPTION

PIN	FUNCTION	DESCRIPTION
1	PHASE 1	MOTOR PHASE 1 (Red motor wire)
2	PHASE 3	MOTOR PHASE 3 (Red/White motor wire)
3	COMMON 1,3	MOTOR PHASE 1,3 COMMON (Black motor wire)
4	FAULT RESET	If this input is momentarily pulled low after a fault condition occurs, then the fault is reset and the driver can run again.
5	DIRECTION	This input is the direction control input. It is internally connected to the Direction control output of the Manual Preset Indexer. A logic "1" selects CW(+) direction. A logic "0" selects CCW (-) direction.
6	CLOCK IN	A negative going pulse on this input causes the motor to step. The Clock output of the Manual Preset Indexer is internally connected to this input.
7	0VDC	This 0Vdc is internally connected to the 0Vdc on the Manual Preset Indexer.
8	HS/FS	This is the excitation mode select input. A logic "1" selects HALF-STEP excitation. A logic "0" selects dual phase FULL-STEP excitation.
9	ON/OFF	This input may be used to turn off the motor current while standing still. This will reduce heating in the driver and motor. The motor is energized when this input is a logic "1". The motor is de-energized when this input is a logic "0".
10	No connection	
11	COMMON 2,4	MOTOR PHASE 2,4 COMMON (White motor wire)
12	PHASE 2	MOTOR PHASE 2 (Green motor wire)
13	PHASE 4	MOTOR PHASE 4 (Green/White motor wire)

DPD72451 INTERNAL WIRING DIAGRAM

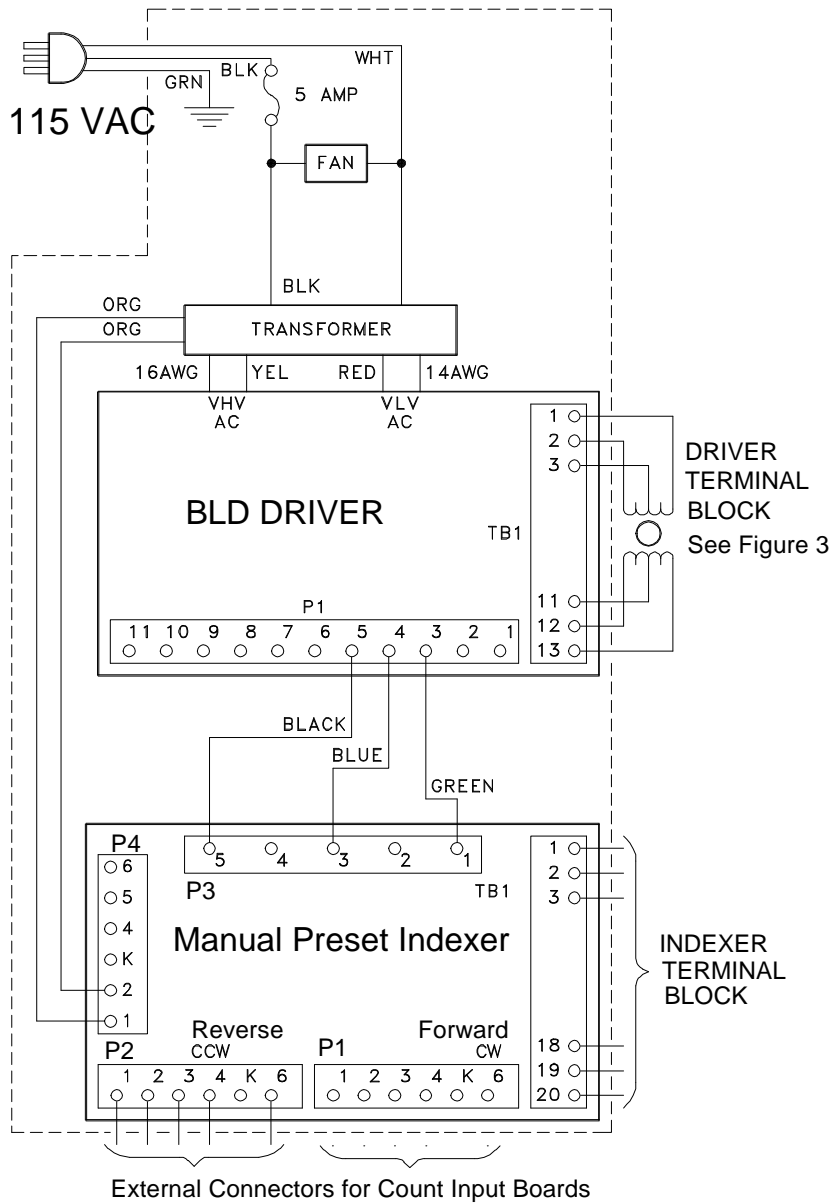


FIGURE 4: INTERNAL WIRING DIAGRAM

USING THE MANUAL PRESET INDEXER

SELECTING MOTION PARAMETERS

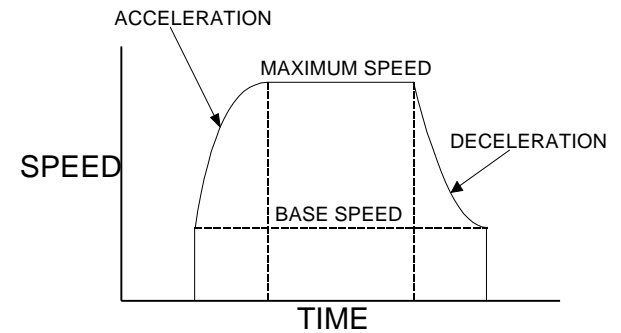


FIGURE 5: Velocity Profile

The velocity profile (motion speed and acceleration) is determined by the four green switches; the Base Speed, Max Speed, Acceleration/Deceleration, and Factor. Figure 5 shows a typical velocity profile of a step motor.

BASE SPEED

This is the speed at which the motor starts to run. There are 256 choices of Base Speeds as shown in the Table 3. They range from 2 steps/second to 3,611 steps/second.

MAX SPEED

As shown in Table 2, there are 256 choices available ranging from 163 steps/second to 14792 steps/second.

ACCELERATION/DECELERATION

The step motor starts to accelerate after taking 4 steps at the base speed and continues until it reaches the selected maximum speed taking the number of steps set by A/D at each speed in the internally generated ramp table. A/D=0 is no acceleration (run at BASE speed only), A/D=1 is the fastest (minimum ramp time), and A/D=F is the slowest (maximum ramp time). The step motor starts to decelerate at the calculated point and continues until it reaches the selected base speed and stops.

FACTOR

The F switch should be set first because it directly affects the Base and Max speed. Table 1 lists the maximum obtainable stepping rates for all F switch settings with the maximum speed F.

F	Max(steps/sec)	F	Max	F	Max	F	Max
0	14792	4	4930	8	2548	C	728
1	9264	5	4266	9	1816	D	484
2	7165	6	3759	A	1411	E	366
3	5841	7	3360	B	946	F	246

TABLE 3: MAXIMUM MAX RATES FOR FACTOR SETTINGS

EXAMPLE :

Assume that the motor is to run at a Max Speed of 4500 steps/second. It can be seen from the table above that this speed can only be obtained with the F switch setting of 0 through 4. Any of these switch settings could provide speeds in excess of 4500 steps/second. The 'rule of thumb' is to always chose the highest F switch setting that will provide the desired Max Speed, and also give the widest range for Base Speeds. In this example, F with a switch setting of 4 is the best choice. For a desired speed of 1200 steps/second, set F switch to A. For a desired speed of 13000 steps/second, only an F switch setting of 0 will suffice.

SETTING THE M SWITCH

Now that we have selected the F switch setting, we can find the value for M from Table 2. The factor setting is in the left hand column, and the Max Speed setting is along the top row. In example 1 for the desired M of 4500 steps/second, we set the F switch at 4. Table 1 lists the maximum speed values for each switch setting of F. Looking at the M values in Table 2 for an F switch setting of 4, the closest speeds are 4495 (M=C) and 4631 (M = D).

For the desired maximum speed of 1200 steps/second (F=9) and M switch setting of 0 (1207 sps) or A (1173 sps) can be used. A speed of 13000 sps (F=0) requires an M switch setting of either A (12737 sps) or B (13102 sps).

SETTING THE B SWITCH

By choosing an F value, we restrict our choice of Base Speed to 16 possible values (see Table 3). In example 1, from maximum speed of 4500 steps/second (F = 4) we can select Base speeds ranging from 42 to 1223 steps/second. For the desired maximum speed of 1200 sps (F=9), the Base speed can be chosen from a range of 15 sps to 438 sps. If due to the selection of the factor we are limited to a low Base Speed, it is possible to choose a lower Factor and then choose the appropriate Base and Max settings. Thus, for maximum speed of 1200 sps, a Factor of A could also be used, giving the range of Base Speed 11 to 339 sps.

M SWITCH SETTING

F	0	1	2	3	4	5	6	7	8	9	A	B	C	D	E	F
F	163	166	170	174	179	183	188	193	199	204	210	217	223	231	238	246
E	242	248	253	259	266	272	279	287	295	303	313	322	332	342	354	366
D	320	327	335	342	351	360	369	380	390	401	412	425	438	452	467	484
C	481	493	504	517	529	543	557	572	588	604	623	641	661	682	705	728
B	626	641	656	672	689	706	725	744	764	786	809	833	859	886	915	946
A	936	957	980	1004	1028	1054	1082	1111	1141	1173	1207	1242	1281	1322	1365	1411
9	1207	1234	1263	1293	1325	1358	1394	1431	1470	1511	1544	1601	1650	1702	1757	1816
8	1699	1737	1777	1820	1864	1911	1959	2011	2066	2123	2184	2248	2316	2388	2466	2548
7	2248	2298	2351	2407	2466	2526	2591	2658	2730	2805	2884	2968	3057	3152	3252	3360
6	2520	2576	2635	2697	2762	2830	2902	2977	3057	3141	3229	3323	3422	3527	3640	3759
5	2866	2930	2997	3067	3141	3218	3299	3384	3474	3568	3669	3774	3886	4005	4132	4266
4	3322	3397	3474	3554	3639	3728	3821	3919	4022	4132	4246	4367	4495	4631	4777	4930
3	3953	4040	4131	4227	4326	4431	4540	4655	4777	4904	5039	5181	5332	5491	5661	5841
2	4878	4985	5095	5211	5332	5459	5592	5732	5879	6033	6196	6368	6551	6743	6948	7165
1	6369	6504	6646	6793	6948	7110	7279	7456	7642	7838	8045	8263	8492	8734	8991	9264
0	9968	10190	10422	10664	10918	11185	11464	11758	12067	12393	12737	13102	13487	13895	14330	14792

TABLE 4: MAX SPEED (FACTOR SETTING VS MAX SETTING)

B SWITCH SETTING

F	0	1	2	3	4	5	6	7	8	9	A	B	C	D	E	F
F	2	5	10	15	19	24	27	32	37	40	44	47	50	53	56	59
E	3	7	14	22	29	36	41	48	54	60	65	71	75	79	83	87
D	4	10	19	28	38	48	54	64	72	79	86	93	99	105	110	115
C	6	14	29	43	57	72	81	97	109	120	130	141	150	159	166	174
B	8	19	37	56	75	94	106	126	141	157	170	183	195	207	216	227
A	11	28	56	84	112	140	159	189	212	234	254	274	292	309	324	339
9	15	37	73	109	145	181	205	244	274	303	329	355	377	399	418	438
8	21	52	103	154	205	256	290	349	387	428	464	501	533	564	590	619
7	28	69	138	206	273	341	386	459	515	569	618	666	707	749	784	821
6	31	78	155	231	307	383	434	516	578	640	694	748	795	841	880	922
5	35	89	177	264	350	438	495	589	659	730	791	853	906	959	1003	1052
4	42	104	206	308	408	510	577	686	768	849	921	993	1054	1116	1167	1223
3	50	124	247	370	489	610	690	821	919	1015	1101	1187	1260	1333	1394	1460
2	62	154	309	460	610	761	860	1021	1143	1264	1368	1474	1565	1655	1730	1812
1	83	206	411	612	809	1009	1141	1352	1513	1671	1809	1947	2066	2181	2281	2389
0	124	310	617	919	1216	1519	1717	2038	2282	2520	2730	2939	3120	2957	3448	3611

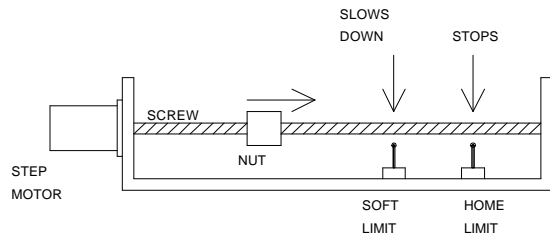
TABLE 5: BASE SPEED (FACTOR SETTING VS BASE SETTING)

HOMING MODES

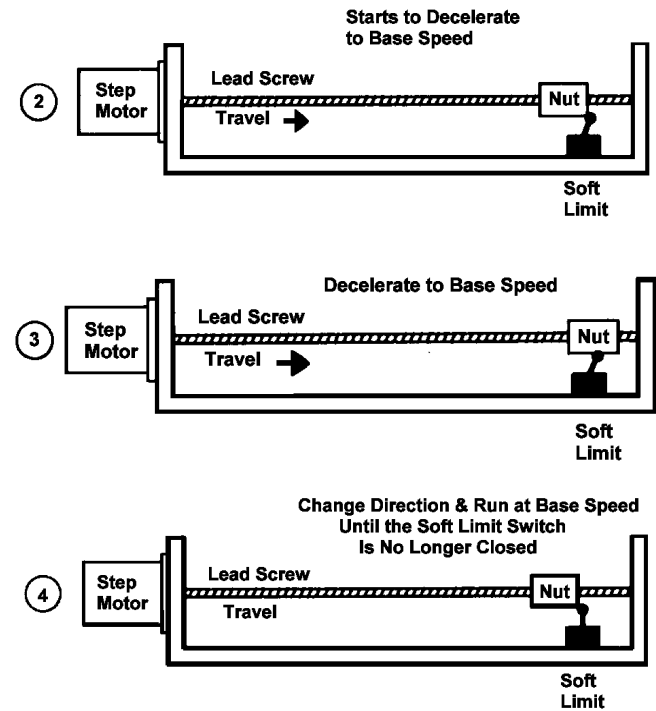
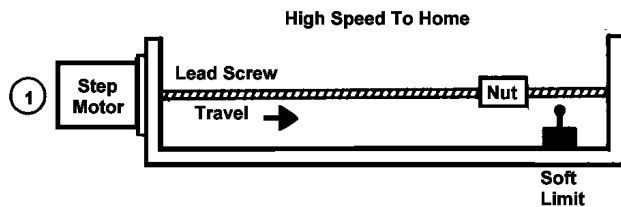
There are two Homing Modes that may be initiated, H0 and H1.

H0 HOMING MODE: This mode causes the motor to run at Max Speed in the direction selected. The motor runs until the nut encounters the SOFT limit switch, at which time the motor decelerates to the Base Speed. The nut continues to run at Base Speed until it hits the Home limit switch. This may be illustrated by using a step motor driving a leadscrew as shown below.

CAUTION: The two limit switches should be placed such that the nut after hitting the Soft limit switch has enough time to get to Base Speed before encountering the Home limit switch.



H1 HOMING MODE: When this homing mode is selected, the nut seeks home at Max speed. It decelerates to Base speed when the soft limit switch is encountered. The Soft limit switch **must** remain closed until the motor completely decelerates to Base speed, at which time the controller causes the motor to reverse direction and run at Base speed until the Soft limit switch is no longer closed. This mode is illustrated below. This Homing mode uses only one switch, but a flag is required to keep the switch closed during the deceleration cycle. If only a momentary switch closure is made, the motor will decelerate to Base speed and stop. This stopping point may not be accurate or repeatable; so, the flag is necessary.



SETTING MOVE DISTANCE

THE

The index count or move distance for the DPD72451 can be accomplished by a number of methods. The easiest way is to use the red switches labeled "Internal Index Number" on the unit; these switches are used by default. External Count Modules may also be used. These include the Click Pot Module, AA1748, the Thumbwheel Module, AA1760, the BCD Input Module, AA2210, and the Quad Board, AA1754. These modules set the distance of the move, but will allow for different variations in interfacing (see descriptions in next section).

JUMPERS

There are four jumpers on the Manual Preset Indexer board. The first jumper, JP1, is used to set the debounce delay time for the JOG, HOME, and INDEX inputs. When JP1 is in the "1-2" position, the debounce delay is approximately 12.5 milliseconds. When JP1 is in the "2-3" position, the debounce delay is approximately 0.3 milliseconds. The active low signal on these inputs must be wider than the debounce delay time.

To use an external Count Module, the INT/EXT input (pin 13) must be pulled low to a logic "0". The on-board switches will be ignored. External Count Modules plug into either connector labeled "EXTERNAL COUNT MODULE CONNECTOR"(P1 or P2). When only using one module for both FORWARD and REVERSE indexes, jumper JP2 must be in the "1-2" position.

When using external Count Modules, it is possible to use one module for FORWARD indexing and another module for REVERSE indexing. The connector on the side of the unit is the FORWARD count; the connector on the top (of front face) is the REVERSE count. When using two modules for different FORWARD and REVERSE indexes, jumper JP2 must be in the "2-3" position.

JUMPER LOCATION / FUNCTION

JP1	DEBOUNCE INPUT DELAY
1-2	12.5 ms
2-3	0.3 ms

JP2	EXTERNAL COUNT MODULES
1-2	ONE MODULE (SAME FORWARD AND REVERSE)
2-3	SEPARATE MODULES FOR FORWARD AND REVERSE

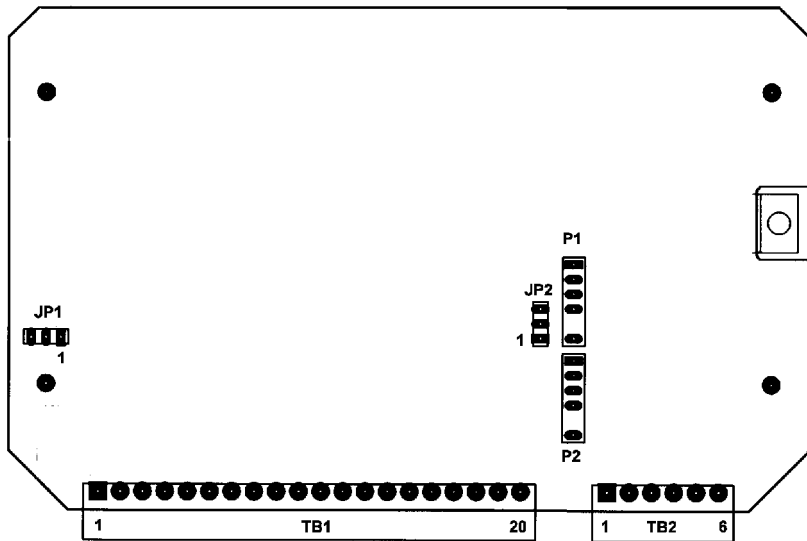


FIGURE 6

COUNT INPUT BOARDS

All of the Count Input Boards or Modules set the number of steps the motor will move when an Index is initiated, but each Module allows for a different variation in interfacing.

AA1748 - CLICK POT MODULE

A 'CLICK POT' module consists of 10 position (0 - 9) digital pots mounted on a printed circuit board. One pot is used per each decade (digit). These units are available in 2, 4, or 6 decades. The user dials in the step count on the pots. Any time the motor is indexed, it will move the number of steps set on the pots. One module is required per axis. The module is connected to the Manual Preset Indexer via a supplied 5 lead cable.

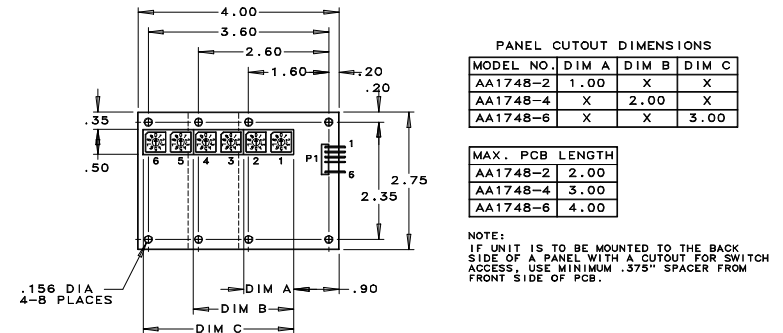


FIGURE 7

AA1760 - THUMBWHEEL SWITCH MODULE

These thumbwheel switches provide an attractive way to input a step count. The user dials in the desired count on the thumbwheels, which can be mounted on an enclosure face. The module is available in 3, 4, 5, or 6 decades. The module is connected via a supplied 5-lead cable.

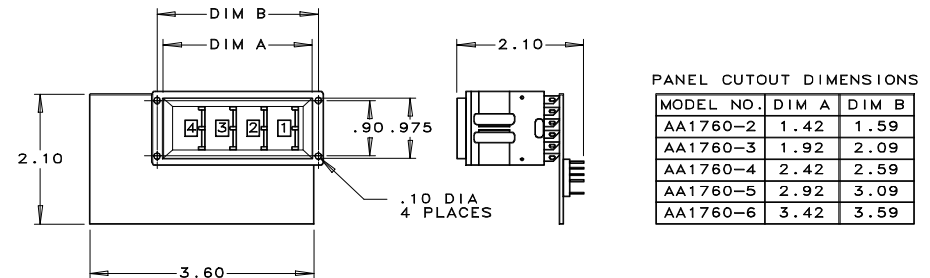


FIGURE 8

AA1754 - QUAD BOARD COUNTER

The quad board module is a 4-bank version of the clickpot module with each bank having 6 decades. The user can "dial in" four different move lengths and then select any one of them as desired. The module is connected to the indexer via a supplied 5-lead cable.

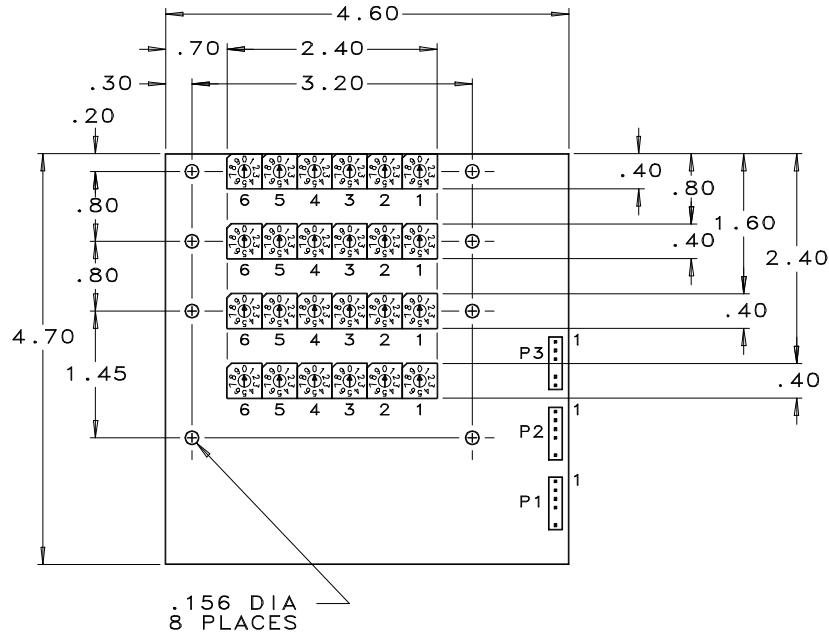


FIGURE 9

CONNECTOR	Pin 1	Pin 2	Pin 3	Pin 4	Pin 5	Pin 6
P1 (To Indexer)	Common	+5Vdc	Clock	Reset	Key	0Vdc
P2 (Expansion)	Common	+5Vdc	Clock	Reset	Key	0Vdc
P3 (Select Inputs)	Select #1	Select #2	Select #4	Key	+5Vdc	0Vdc

The selection of the switch banks is done by switching select lines 1 and 2 on connector P3. The select lines are "low true" meaning that if a select line is pulled low (to 0Vdc), it is recognized as being "on" or "true". When a select line is not pulled low it is internally "pulled up" to +5Vdc and is "off" or "false". The bank select lines must be set at least 1 millisecond before the Index command is given. The select lines must remain in the set state until the index is complete. Once the move is finished, the select lines may be changed as needed.

BANK SELECT TABLE	SELECT LINE	
	#1	#2
SWITCH BANK #1	0	0
SWITCH BANK #2	1	0
SWITCH BANK #3	0	1
SWITCH BANK #4	1	1

0=LOW (0-0.8Vdc), 1=HIGH(3.5-5Vdc)

Select line #4 is only used if additional count input devices are "daisy chained" to the expansion connector (P2). If select line #4 is low, that quad board is ignored and the count input device connected to the P2 expansion connector is read. This allows multiple quad boards to be used together. The "daisy chained" count input device does not have to be a quad board; it could be a thumbwheel switch or click pot module.

AA2210 BCD COUNTER MODULE

The AA2210 BCD counter interface module enables the user to select any move length from 0 to 999,999 steps using a standard PLC (programmable logic controller). Selecting the proper inputs creates a count value in steps, resulting in a move distance. The module is connected to the indexer via a supplied 5-lead cable.

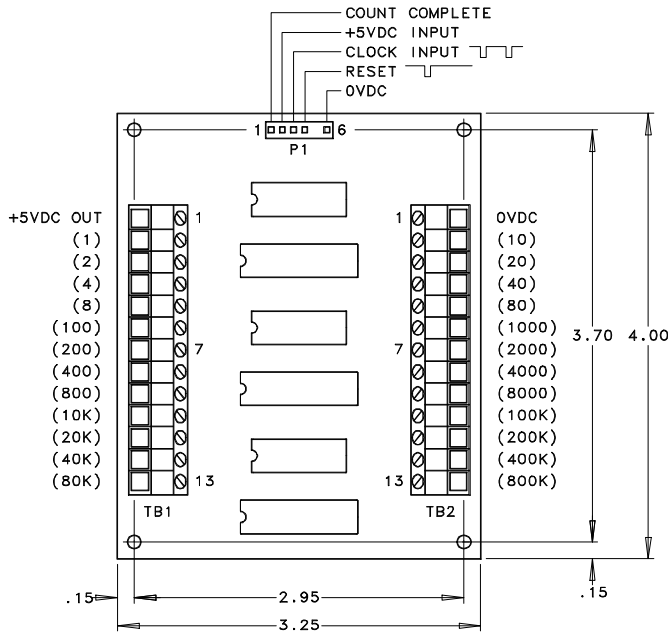


FIGURE 10

Note: All Inputs are active low (0-0.8Vdc). All unused inputs may be ignored since they are pulled up.

Example: For a move distance of 1234 steps the following inputs should be pulled low.

- 1's Decade: Bit 4 (TB1, pin 4)
- 10's Decade: Bit 1 and 2 (TB2, pin 2 and 3)
- 100's Decade: Bit 2 (TB1, pin 7)
- 1000's Decade: Bit 1 (TB2, pin 6)

All Other inputs must be open or high (3.5-5Vdc).

SPECIFICATIONS

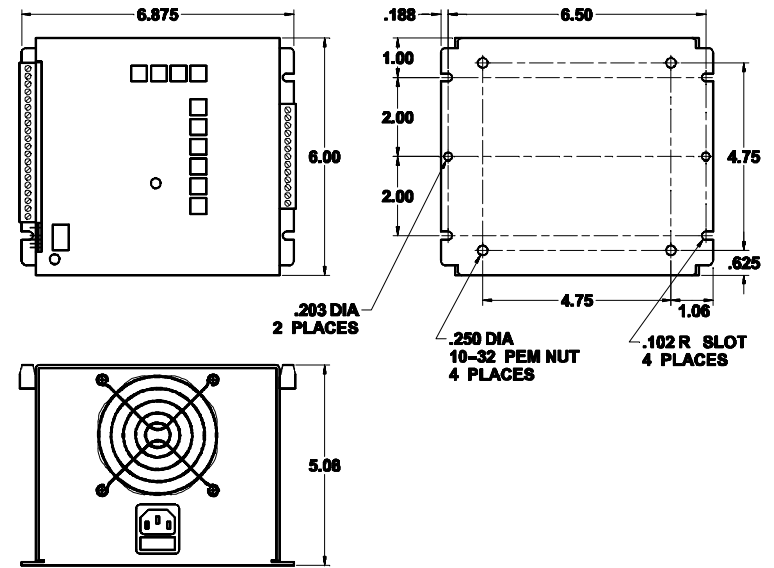


FIGURE 11: Dimensions

Power Requirements: The standard 115VAC version can accept power inputs ranging from 105VAC to 125VAC 50-60Hz. See Figure 14 for configurations with the X250A version.

Ambient Temperature: 0 to 50 degrees Celsius

Shipping Weight: 12 pounds

BLD72 DRIVER:

Control Inputs: TTL-MOS Compatible
 Logic "0": 0 to 0.8 Vdc
 Logic "1": 3.5 to 5 Vdc
 All Inputs are pulled up; No connection= logic "1".

Half-step/Full-step: Logic "1" - Half-step
 Logic "0" - Full-step

Motor Power On/Off: Logic "1" - Motor energized
 Logic "0" - Motor de-energized

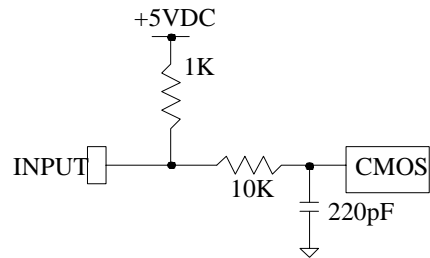
Reset Fault: Logic "1" - Driver enabled and Fault detection enabled
 (Terminal 4) Logic "0" - Resets a Fault condition (driver is disabled when this input is low). This input must be held low for at least 100ms.

Output Current: 7.0 Amperes continuous maximum

MANUAL PRESET INDEXER BOARD:

Control Inputs: TTL-MOS Compatible
 Logic "0": 0 to 0.8 Vdc
 Logic "1": 3.5 to 5 Vdc

All Input Terminals are pulled up to +5Vdc through 1k ohm resistors.



Busy and Complete Outputs (pins 16 and 20) are open collector outputs that can sink 500mA and stand-off 40Vdc maximum (no sourcing). Pull-up resistors may be jumpered to these outputs to produce TTL level signals (see section on jumpers).

Ground (pin 18) - 0Vdc

+5Vdc Output (TB2, pin 1) - Up to 250mA is available for the user to power up external circuitry. The total current drawn from pin 1 and pin 2 must not exceed 250mA.

+12Vdc Unregulated Output (TB2, pin 2) - Up to 250mA is available for the user to power up external circuitry. The total current drawn from pin 1 and pin 2 must not exceed 1.0A.

X250A VERSION

The DPD72451X250A can be configured to accept nominal power inputs of 100VAC, 115VAC, 130VAC, 215VAC, 230VAC, and 245VAC. See figure 14.

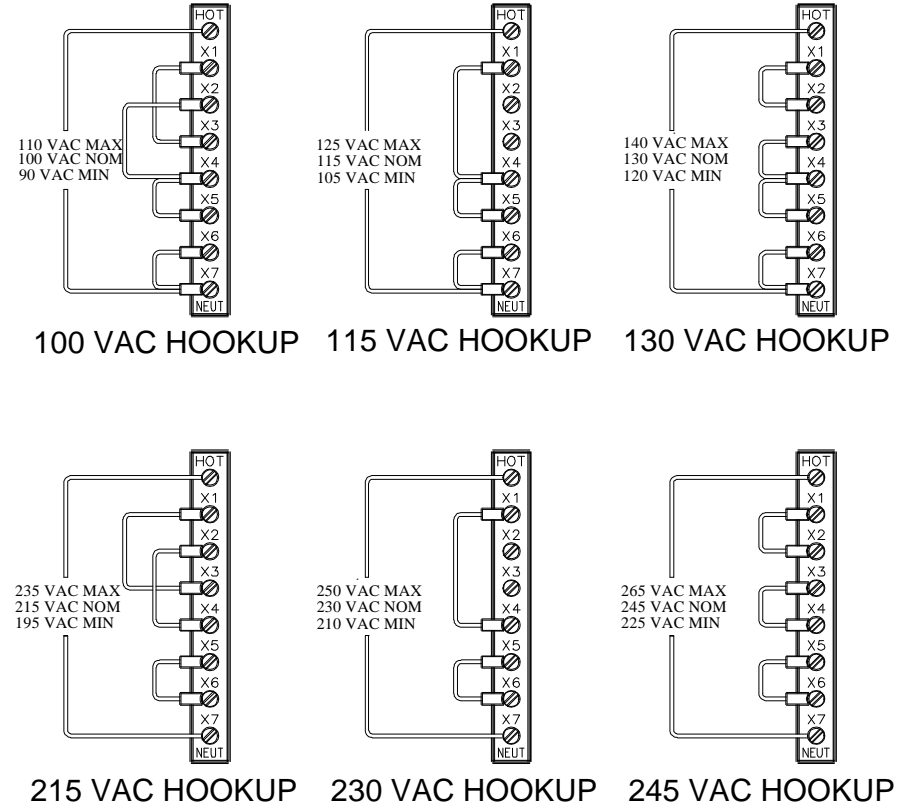


FIGURE 12: POWER HOOKUP DIAGRAM FOR DPD72451X250A

TROUBLESHOOTING DRIVER FAULTS

If a Fault occurs, reset the Fault by applying a logic "0" to the Reset Fault Input (terminal 4) for at least 100ms (or by cycling power OFF for at least 15 seconds). After resetting, try to run the motor again. If the driver faults again then check the conditions listed below.

Is the LED blinking Slowly?

This indicates that the motor has a phase shorted or there is a short in the motor cable or wiring. Check the motor and the wiring for shorts. If the driver continues to sense "shorts" after the motor and wiring are determined to be good, then the output transistors should be checked (see below).

Is the LED blinking Quickly?

This indicates that there is an open connection in one of the motor wires. Check the motor and the wiring for opens. Another condition that may cause this type of fault is when a large motor is ramped down too quickly so that it loses its positioning.

Is the LED on Steadily?

This indicates that there is a ground fault - a voltage shorted to 0V. This detection is useful in detecting a short-to-case in a motor when the motor's case AND the driver's 0V are both connected to earth ground. Excessive noise on the 0V line may also cause the driver to sense this type of fault. This type of fault sensing may be disabled by placing jumper JP3 in position "1-2" (see figure 3A). **NOTE: IF THE GROUND FAULT DETECTION IS DISABLED, DO NOT CONNECT THE DRIVER'S 0V TO EARTH GROUND!**

Checking Output Transistors

1. Remove the side plate on the driver side of the unit.
2. Set the multimeter to Diode Test.
3. Place the RED meter lead on Pin 7 (0Vdc) of the driver terminal block.
4. Touch the BLACK meter lead to each phase (terminals 1, 2, 12, and 13).
5. Readings should be between 0.450V and 0.550V.
6. If any readings are significantly less than 0.450V, then the unit has been damaged. To send the unit in for repair, contact the factory for an RMA#.

A N A H E I M A U T O M A T I O N

910 E. Orangefair Lane, Anaheim CA 92801
Phone (714) 992-6990 Fax (714) 992-0471
website: <http://www.anaheimautomation.com>
e-mail: sales@anaheimautomation.com