

PRODUCT RELEASE

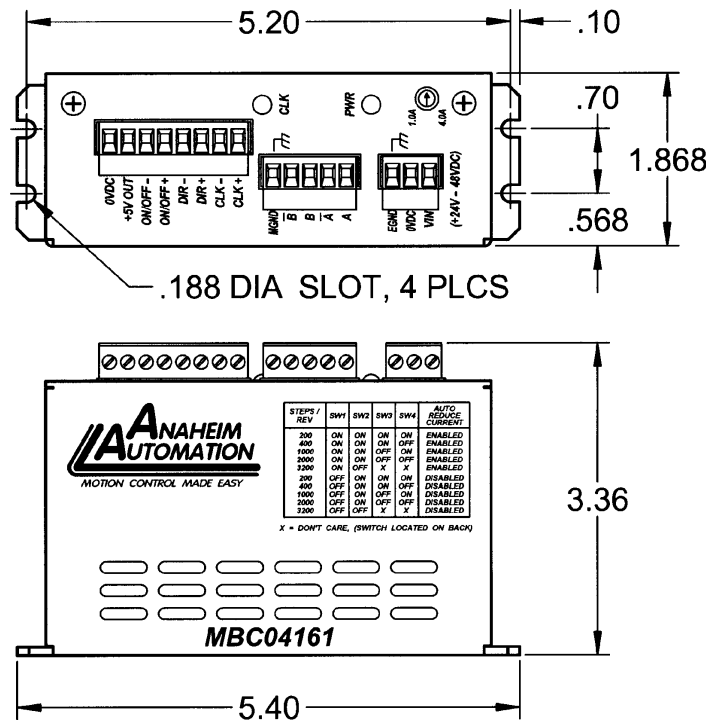
MBC04161 MICROSTEP DRIVER

- 4 Amps/Phase Output Current
- Microstepping Drive Operations
- 1, 2, 5, 10, and 16 Step Operations
- Opto Isolated Inputs
- Short Circuit Protection
- Motor On/Off Input
- Current Reduction
- Motor Cable Miss Wire Protection

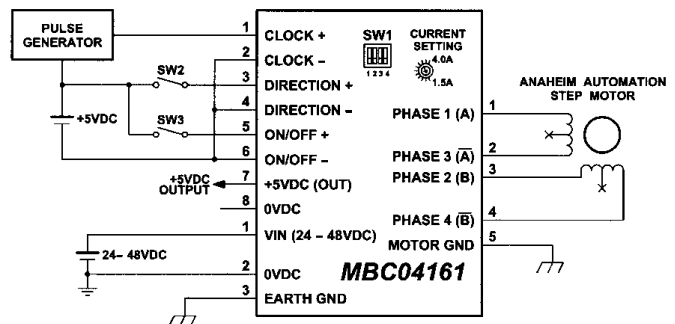
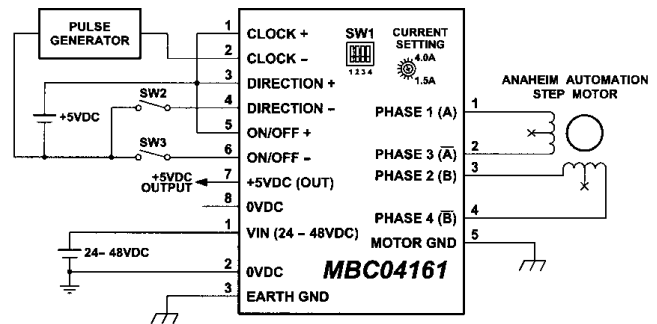


The MBC04161 Microstep Motor Driver has an output capability from 1 Amp Minimum to 4 Amps Maximum (Peak Rating). The MBC04161 driver will operate with 24VDC Minimum to 48VDC Maximum (up to 4 Amps). The inputs are Opto-Isolated with a minimum sourcing of 1 mA per input (5VDC Minimum to 24VDC Maximum). The clock input is set to receive either positive or negative edge clocks with a maximum frequency of 100K Hz. The direction input is current sourcing for CW and no current for CCW. The ON/OFF feature is current sourcing to de-energize the step motor and no current to energize the motor. Reduce Current Enabled automatically reduces Motor current 70% after last step (20 msec delay). The driver has built-on features to indicate power on (Green LED) and Clocks being received (Yellow LED). Protection devices have been added to this driver for Phase-to-Phase short-circuit and motor miss wire conditions.

Dimensions:



Hookup Diagrams:



ANAHEIM AUTOMATION

910 East Orangefair Lane, Anaheim, CA 92801
e-mail: info@anaheimautomation.com

(714) 992-6990 fax: (714) 992-0471
website: www.anaheimautomation.com