

23A Series - Linear Actuator Stepper Motors



FEATURES

- **Step Motor with Internal Conversion to Linear Output**
- **Self Contained Package with Long Shield Ball Bearings**
- **Available in a Wide Variety of Voltage and Inductance Ratings**
- **Can be Microstepped for Smoothness and Resolutions up to 2×10^{-5} inches**
- **Several Lead Screw Choices**



DESCRIPTION

The 23A Series Stepper Motors offers many advantages to users over previous design choices. All of the lower cost digital attributes of a hybrid step motor are retained while the internal conversion to linear motion eliminates the need for other rotary-to-linear conversions such as belt and pulleys, racks and pinions, or external ball screws. Motion designs can be simplified, production costs lowered and product life enhanced. The 23A designed captures a bronze acme nut internally such that each normal electrical step sequence results in the linear travel of a mating screw axially. Since the ends of the screw are free-floating, any length can be used; if the motor is fixed, the screw will travel, if the screw is fixed, the motor will travel. Normal open loop drivers can be used. Typical applications for the linear step motor actuator include X-Y tables, pick and place, medical instrumentation, valve adjustment, and test equipment. We can bring together many of the components required to make your application work the best.

SPECIFICATIONS

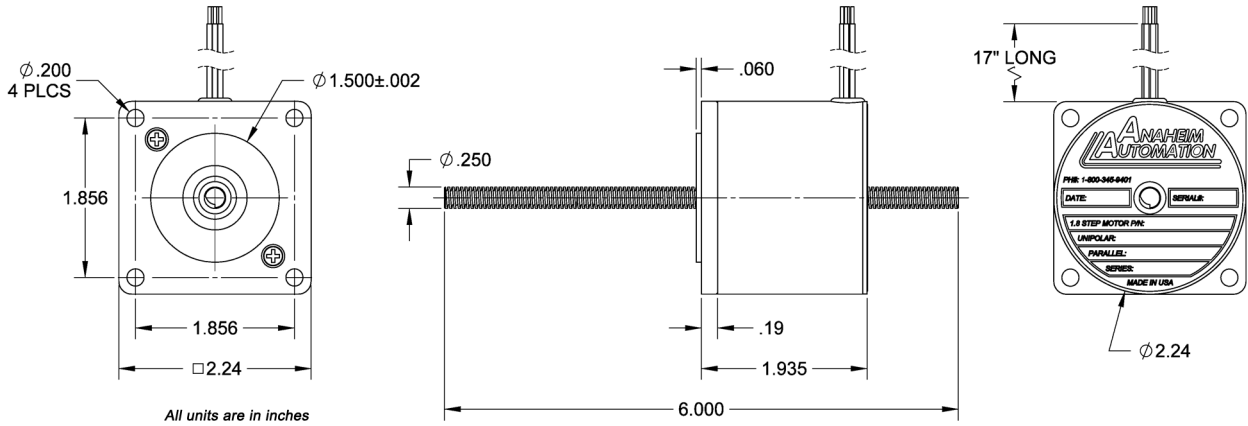
Model #	NEMA Size	Maximum Force (lbs)	Series Current (A)	Unipolar Current (A)	Unipolar Resistance (ohms)	Unipolar Inductance (mH)	Rotor Inertia (oz-in-sec ²)	Travel per Step (Inch)*	# of Lead Wires	Weight (lbs)	L Length (in)
23A102A	23	100	0.7	1.0	5.00	8.00	0.0016	0.0002500	6	1.35	2.00
23A102B	23	75	0.7	1.0	5.00	8.00	0.0016	0.0003125	6	1.35	2.00
23A102C	23	40	0.7	1.0	5.00	8.00	0.0016	0.0012500	6	1.35	2.00
23A104A	23	100	1.4	2.0	1.50	2.50	0.0016	0.0002500	6	1.35	2.00
23A104B	23	75	1.4	2.0	1.50	2.50	0.0016	0.0003125	6	1.35	2.00
23A104C	23	40	1.4	2.0	1.50	2.50	0.0016	0.0012500	6	1.35	2.00
23A108A	23	100	2.7	3.8	0.33	0.40	0.0016	0.0002500	6	1.35	2.00
23A108B	23	75	2.7	3.8	0.33	0.40	0.0016	0.0003125	6	1.35	2.00
23A108C	23	40	2.7	3.8	0.33	0.40	0.0016	0.0012500	6	1.35	2.00

*Suffix A has 0.050 inch leadscrew
 Suffix B has 0.0625 inch lead screw
 Suffix C has 0.250 inch lead screw

- Internal rotating nut: SAE 660 Bearing Bronze
 - 1/4" Dia. Acme Leadscrew: 300 Series Stainless Steel
 - Recommended Lubrication: White Lithium Grease

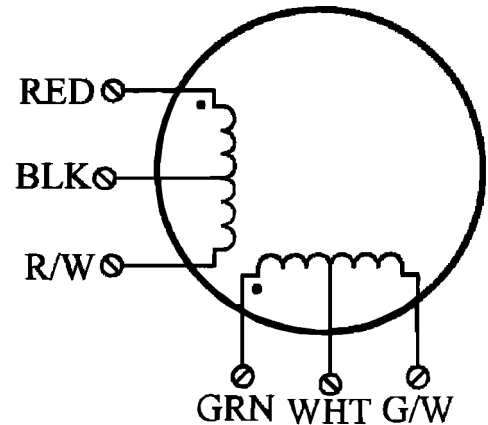
L010368

DIMENSIONS



WIRING INFORMATION

Connection	Lead Wire Connection	Lead Wire Color
4 - Lead Bipolar Series MBC or MLP Series	Phase 1 (A)	Red
	Phase 3 (/A)	Red/White
	Phase 2 (B)	Green
	Phase 4 (/B)	Green/White
	Tie Off	Black
	Tie Off	White
6 - Lead Unipolar BLD, TM Series	Phase 1	Red
	Phase 3	Red/White
	Phase 2	Green
	Phase 4	Green/White
	Common Phase 1 & 3	Black
	Common Phase 2 & 4	White



SPECIFICATIONS

Step Angle Accuracy:	$\pm 5\%$ (Full Step, No Load)
Resistance Accuracy:	$\pm 10\%$
Inductance Accuracy:	$\pm 20\%$
Temperature Rise:	80°C Max (2 Phase On)
Ambient Temperature:	-20° to +50° C
Insulation Type:	Class B