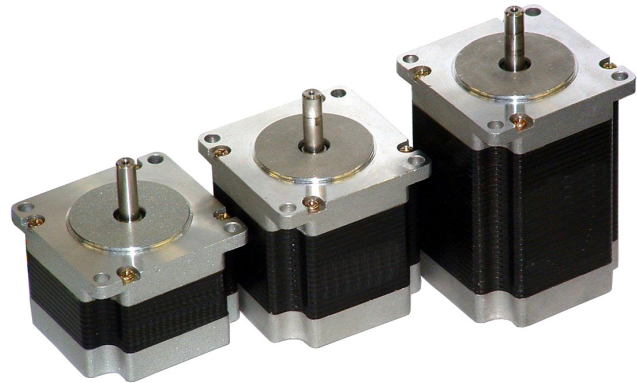


23Y9 Series - High Torque 0.9° Stepper Motor



FEATURES

- **NEMA 23 Frame Size**
- **0.9° Step Angle**
- **IP50 Rated**
- **High Torque - Up to 270 oz-in**
- **High Step Accuracy and Resolution**
- **Shaft Flat as Standard**
- **Can be Customized for**
 - **Winding Current**
 - **Shaft Options**
 - **Cables and Connectors**
- **CE Certified and RoHS Compliant**



DESCRIPTION

The 23Y9 Series High Torque Stepper Motors offer a great value without sacrificing quality. These motors have a 0.9° step angle making them higher precision than the typical 1.8° version. However, like the standard versions, these motors were designed to offer the highest possible torque while minimizing vibration and audible noise. A broad line of motor windings and stack lengths are available. The standard 8-lead motors can be connected in all possible configurations: series, unipolar, or parallel, to allow the maximum flexibility for your application. We can also customize the winding to perfectly match voltage, current, and maximum operating speed to meet your requirements.

See [Accessories](#) on this website for optional motor adders such as encoders, brakes, cables and connectors. For gearbox options, see [Gearboxes](#). For compatible drivers for the 23Y9 Series, see the [MBC050641](#), [MBC12101](#) or [Driver Packs](#).

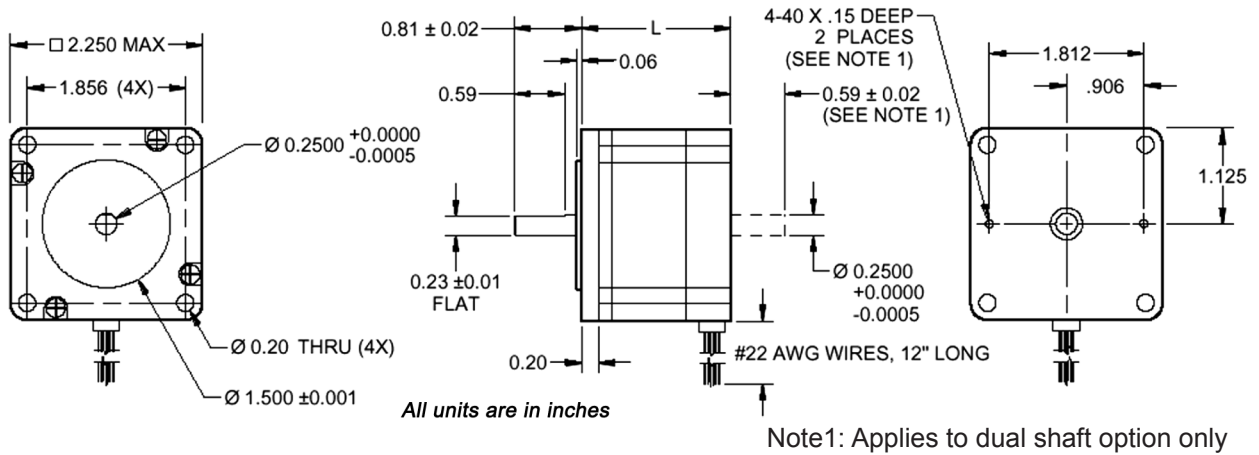
SPECIFICATIONS

Model #	Shaft Type	NEMA Size	Bipolar Torque (oz-in)	Series Current (A)	Bipolar Voltage (V)	Series Resistance (ohm)	Series Inductance (mH)	Rotor Inertia (oz-in-sec ²)	Shaft Diameter (in)	# of Lead Wires	Weight (lbs)	L Length (in)
23Y9106S-LW8	Single	23	180	2.12	2.3	1.5	7.6	0.00425	0.25	8	1.54	2.2
23Y9106D-LW8	Double	23	124	2.12	2.3	1.5	7.6	0.00425	0.25	8	1.54	2.2
23Y9206S-LW8	Single	23	270	2.12	3.0	2.0	10.4	0.00680	0.25	8	2.20	3.0
23Y9206D-LW8	Double	23	191	2.12	3.0	2.0	10.4	0.00680	0.25	8	2.20	3.0

Notes: The 8th character "S" denotes single shaft. Use "D" for dual shaft. Custom leadwires, cables, connectors, and windings are available upon request.

L010378

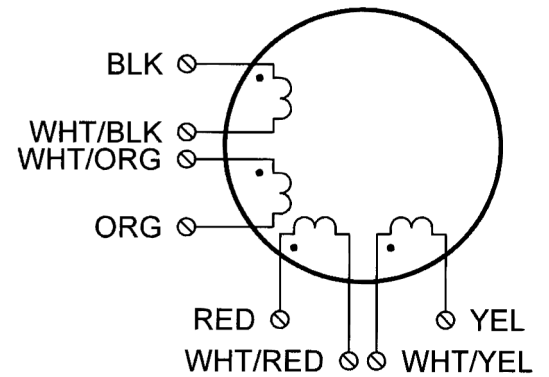
FEATURES



WIRING INFORMATION

SPECIFICATION CONVERSION TABLE			
Connection	Current (A)	Resistance (R)	Inductance (L)
Series Standard	A	R	L
Parallel	2A	R / 4	L / 4
Unipolar	1.414A	R / 2	L / 4

Connection	Lead Wire Connection	Lead Wire Color
4 - Lead Bipolar Series MBC Series	Phase 1 (A)	Black
	Phase 3 (/A)	Orange
	Phase 2 (B)	Red
	Phase 4 (/B)	Yellow
	Connect Wires with Wire Nut	White/Black & White/Orange
4 - Lead Bipolar Parallel MBC Series	Phase 1 (A)	Black & White/Orange
	Phase 3 (/A)	Orange & White/Black
	Phase 2 (B)	Red & White/Yellow
	Phase 4 (/B)	Yellow & White/Red
	Connect Wires with Wire Nut	White/Red & White Yellow
6 - Lead Uni-polar BLD, TM Series	Phase 1	Black
	Phase 3	Orange
	Phase 2	Red
	Phase 4	Yellow
	Common Phase 1 & 3	White/Black & White/Orange
	Common Phase 2 & 4	White/Red & White Yellow



SPECIFICATIONS

Step Angle Accuracy:	±5% (Full Step, No Load)	Insulation Resistance:	100M Ohm Min, 500 VDC
Resistance Accuracy:	±10%	Dielectric Strength:	500VDC for one minute
Inductance Accuracy:	±20%	Radial Play:	0.02" at 1.0 lb
Temperature Rise:	80°C Max (2 Phases On)	End Play:	0.08" at 1.0 lb
Ambient Temperature:	-20° to +50°C	Max Radial Force:	16.9 lbs (0.79" from flange)
Insulation Type:	Class B (130°C Internal)	Max Axial Force:	3.4 lbs-Force