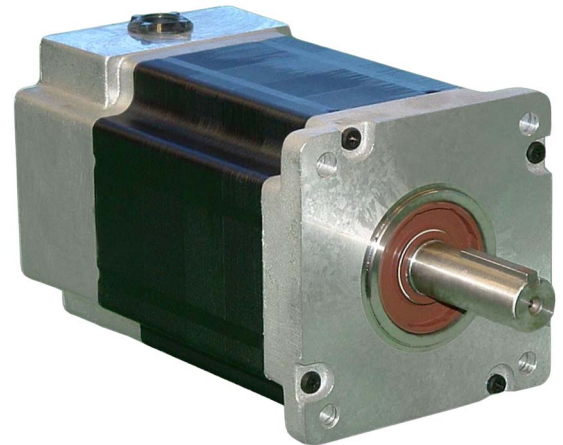


42N65 Series - IP65 Sealed High Torque Stepper Motor



FEATURES

- **NEMA 42 Frame Size**
- **1.8° Step Angle**
- **Torque Ratings Up to 4365 oz-in**
- **Splashproof IP65 Sealed Stepper Motor**
- **Substantial Increase In Torque Over Standard Motors**
- **High Acceleration and Increased Rotor Inertia**
- **3 Stack Lengths**
- **Microstep Increments as Small as 0.0072° (with our MBC082561)**
- **3.0% Typical Step Accuracy**
- **Rugged Construction**
- **Higher Temperature Characteristics**
- **CE Certified and RoHS Compliant**



DESCRIPTION

The 42N65 Series High Torque Stepper Motors use advanced magnetic technologies to provide significantly higher torque levels than what is available in standard round motors. They are also sealed around the shaft and conduit box making them splashproof and perfect for applications requiring IP65 rated stepper. These motors are available in a variety of windings to meet any application specific requirement. The torque levels reached with this step motor line make them cost-effective alternatives to servo motors in many applications. These motors can be specified in place of standard motors to reduce system size and cost, or increase system performance, without the need to go to larger sized motors or drivers.

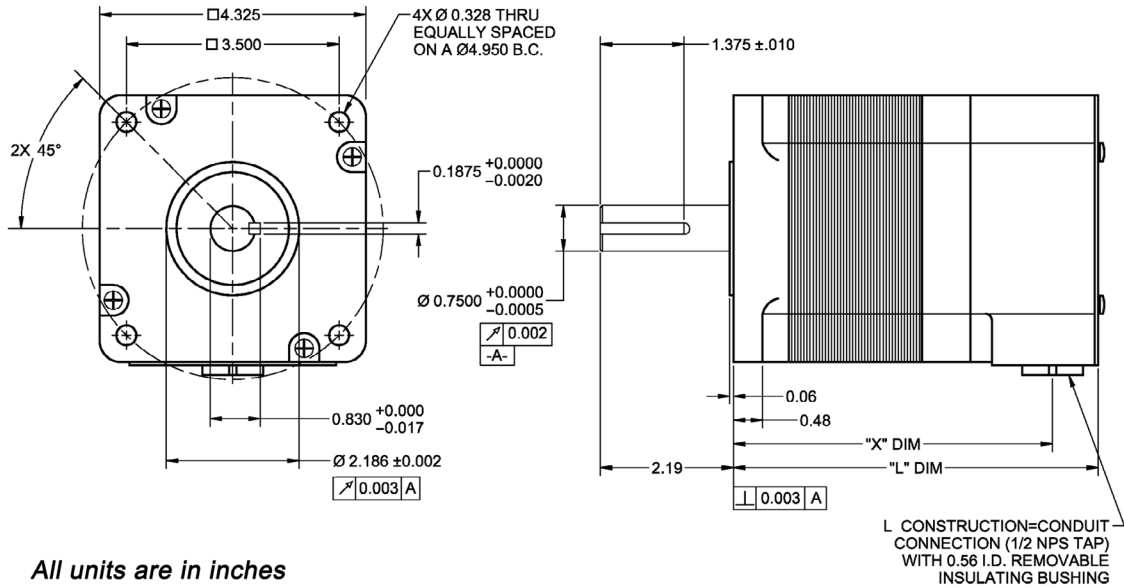
See [Accessories](#) on our website for cables and connector adders. For gearbox options, see our [GBPH Series](#) gearboxes. For compatible drivers, consider our popular [MBC082561](#), [MBC10641](#), [MBC12101](#) and [MLA10641](#) drivers, or [Driver Packs](#).

SPECIFICATIONS

Model #	NEMA Size	Bipolar Torque (oz-in)	Series Current (A)	Unipolar Current (A)	Parallel Current (A)	Unipolar Inductance (mH)	Rotor Inertia (oz-in-sec ²)	Shaft Diameter (in)	# of Terminals	Weight (lbs)	L Length (in)
42N65112S-CB8	42	1625	4.4	6.2	8.7	3.90	0.0783	0.750	8	11.4	3.9
42N65115S-CB8	42	1655	5.3	7.5	10.7	2.80	0.0783	0.750	8	11.4	3.9
42N65209S-CB8	42	3105	3.2	4.5	6.4	12.8	0.1546	0.750	8	18.8	5.9
42N65214S-CB8	42	3145	4.9	7.0	9.9	5.50	0.1546	0.750	8	18.8	5.9
42N65222S-CB8	42	3130	7.9	11.2	15.8	2.10	0.1546	0.750	8	18.8	5.9
42N65314S-CB8	42	4320	4.9	7.0	9.9	7.70	0.2293	0.750	8	27.0	7.9
42N65322-CB8	42	4365	7.7	10.9	15.4	3.20	0.2293	0.750	8	27.0	7.9

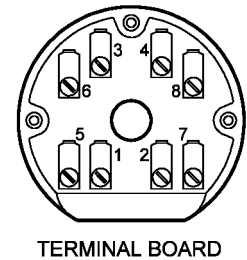
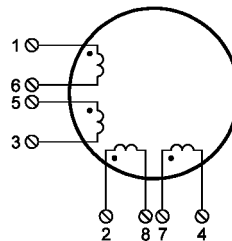
L010433

DIMENSIONS



WIRING INFORMATION

Connection	Lead Wire Connection	Terminal #
4 - Lead Bipolar Series	(A)	1
	(A)	3
	(B)	2
	(B)	4
MBC or MLP Series	None	6 & 5
	None	8 & 7
4 - Lead Bipolar Parallel	(A)	1 & 5
	(A)	3 & 6
	(B)	2 & 6
	(B)	4 & 8
6 - Lead Unipolar BLD, TM Series	Phase 1	1
	Phase 3	3
	Phase 2	2
	Phase 4	4
	Common Phase 1 & 3	6 & 5
	Common Phase 2 & 4	8 & 7



SPECIFICATIONS

Step Angle Accuracy:	±3.0%	Insulation Type:	Class B
Resistance Accuracy:	±10%	Insulation Resistance:	100M ohms @ 500VAC
Full Step Angle:	1.8°	Max Radial Play:	20lbs
Ambient Temperature:	-20°C - +40°C	Max Axial Play:	13lbs