

11AV Series Linear Actuators



FEATURES

- NEMA 11 (28.2mm Square)
- Single Size and Winding Available
- Single Lead Screw Available
- Unique Centering Bushing Option
- 1.8 Degree Stepping Motor
- Optional Adders Available



DESCRIPTION

Anaheim Automation's 11AV leadscrew Stepper Motors were designed to be the most versatile linear position motors in today's market. Based on the NEMA 11 hybrid step motor, they are available in thru-screw versions with a variety of drive-nut and support bushing options. AV Linear Actuator motors are robust and can be easily configured to solve some of the most difficult application problems. Integration of a leadscrew with a motor saves space, eliminates components, and reduces cost. While many standard configurations are available, custom modifications for OEM customers are welcome.

BUILD A PART NUMBER

11AV102 - AX - 06 - SB

Lead Screw Pitch (in)	
A	0.050"
C	0.125"

Lead Screw Length (in)	
06	6"
12	12"

Rear Attachment	
B	Bushing
C	Cover Only
E	Encoder
N	No Extension

EXAMPLE:

11AV102CX12-SC = NEMA 11 Frame, 1 Stack, 1.0A Motor, 0.125" screw pitch resolution, 12" screw length, Standard Nut on the front of the motor and a cover on the rear.

Note: See *Accessories* on our website for optional encoder and/or connector adders.

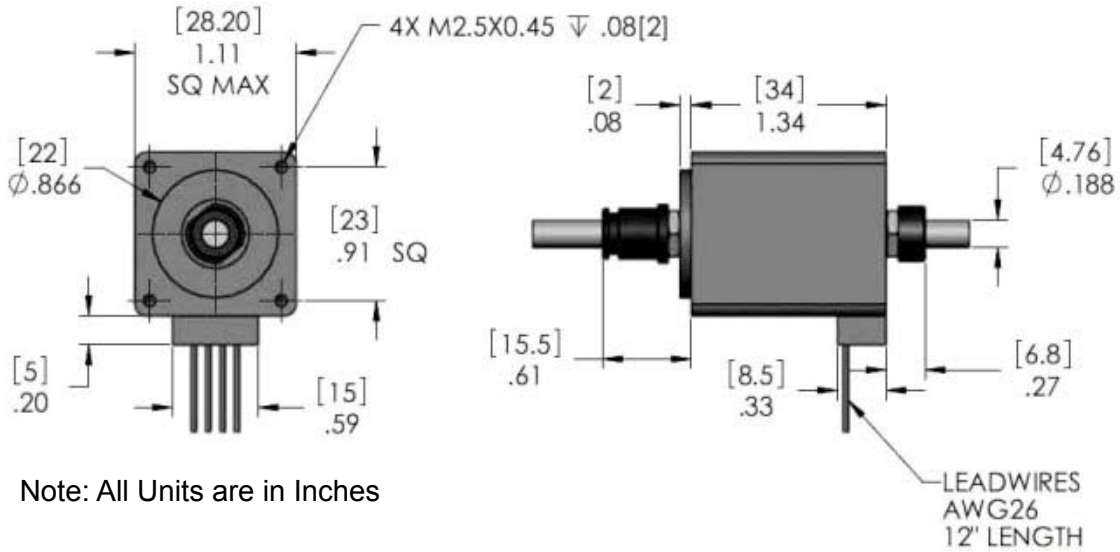
L010786

SPECIFICATIONS

Motor Specifications									
Model Number	Series Voltage (V)	Series RMS Current (A)	Series Resistance (ohms)	Power (W)	Series Inductance (mH)	Rotor Inertia (oz/sec ²)	Number of Leads	Motor Weight (oz)	Motor Length (in)
11AV102	3.2	1.0	2.4	3.2	1.2	1.28x10 ⁻⁴	4	3.9	1.34

Screw Pitch Options						
Screw Pitch	Screw Pitch (in)	Static Force (lb)	Dynamic Force (lb)	Travel per Full Step (in)	Travel per Microstep (in)	Positioning Accuracy (in)
A	0.050	32	27	0.00025	.98x10 ⁻⁶	0.0004
C	0.125	20	16	0.00063	2.44x10 ⁻⁶	0.0004

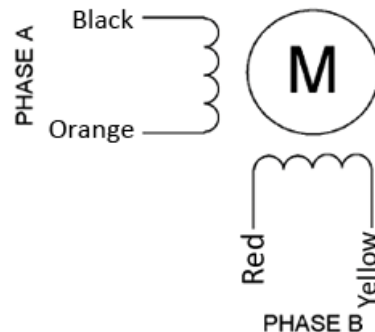
DIMENSIONS



WIRING INFORMATION

Switching Sequence

Step	Black	Orange	Red	Yellow
1	+	-	+	-
2	-	+	+	-
3	-	+	-	+
4	+	-	-	+



L010786