

MBC25161-120V - Stepper Driver



FEATURES

- 85 - 135 VAC Power Input Power Requirement
- 2.5 Amps/Phase Output Current
- Bipolar Microstepping Driver Operation
- Over Temperature and Short Circuit Shutdown
- Microstep Divisors of 16, 4, 2, or Full Step
- Accepts TTL Logic or 24V Level Inputs
- Ideal for Precise Positioning
- Efficient and Durable
- Long Life Expectancy



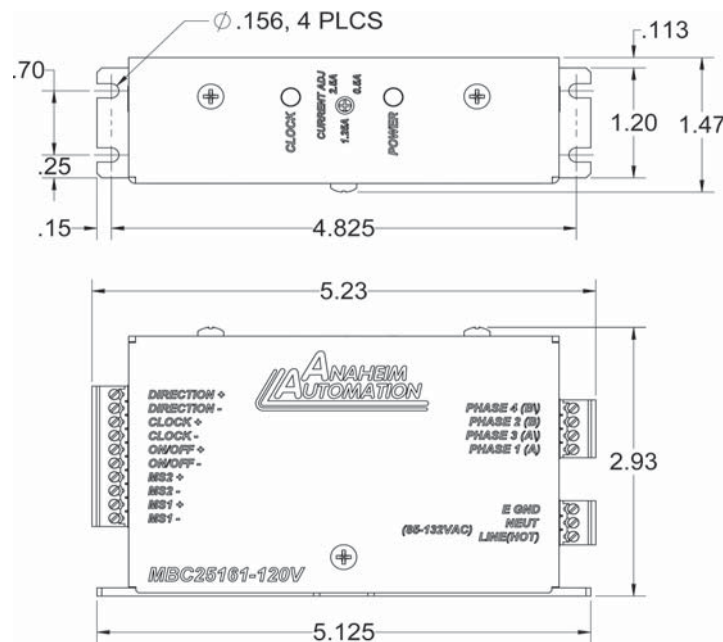
DESCRIPTION

The MBC25161-120V is a compact, low profile package meant to be used where space is limited but performance is expected and eliminates the need for an external power supply. The MBC25161-120V driver is a 2.5 amps/phase bipolar microstep driver capable of running four, six, and eight lead step motors from a supply of 120VAC. The driver has a motor bus voltage of 24V, capable of operating step motors with a power output of 50W. The MBC25161-120V has an output current range of 0.5 to 2.5 amps/phase and operates. The inputs are optically isolated with a minimum sourcing of 7.0mA per input (+3.5VDC minimum to +24VDC maximum). The clock input is set to receive either positive or negative edge clocks with a maximum frequency of 500kHz. The MBC25161-120V features include built in over temperature and short circuit shut down, automatic 70% reduction in current after clock pulses stop being received, and status LED's to indicate power on (green LED) and clocks being received (yellow LED).

With the MBC25161-120V, various step resolutions can be implemented by the MS1 and MS2 inputs. These divisions range from 200 steps per revolution to 3200 steps per revolution.

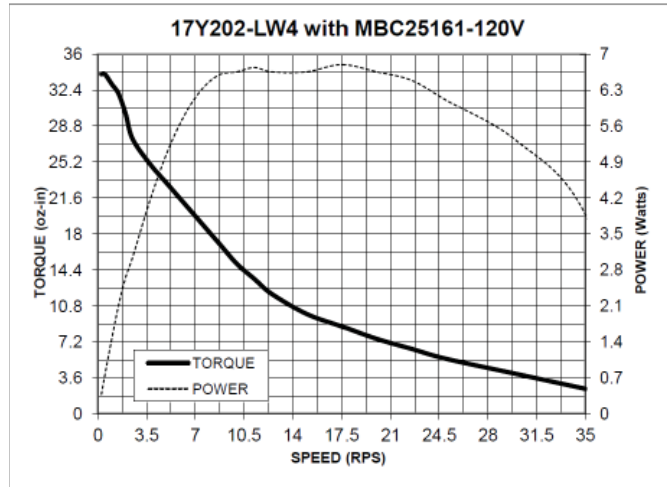
CAUTION: The MBC25161-120V driver does not have an internal fuse. To protect the driver from major motor failures, an external fuse greater than the application maximum load current is needed.

DIMENSIONS

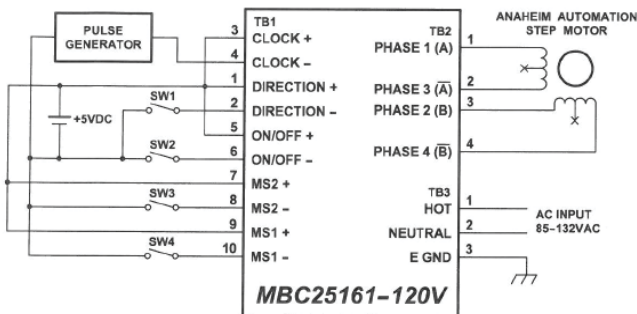


L011254

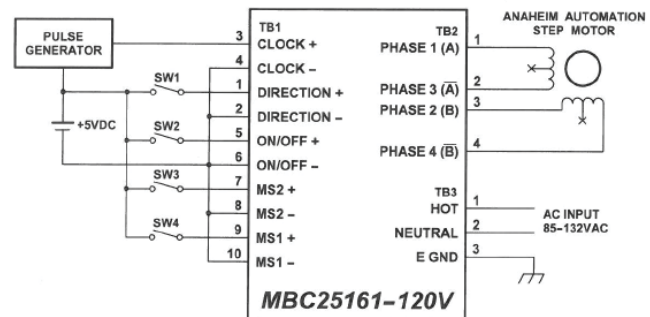
Torque Speed Curve



Sinking Inputs:



Sourcing Inputs:



Specifications

Power Requirements:	85 - 135VAC
Output Current Range:	0.5 - 2.5 Amps (Peak)
Microstepping Resolution:	Full Step (200), Half Step (400), Quarter Step (800), Sixteenth Step (3200)
Input Signal Voltage:	3.5 - 24.0 VDC
Input Clock Frequency:	0 - 500 KHz
Minimum Input Current: (Isolated Inputs)	7.0mA
Storage Temperature:	0° to + 50° C
Absolute Maximum Driver Temperature:	70° C
Driver Type:	Bipolar, Compatible with 4, 6, and 8 Lead Motors. Series or Parallel connection.
Hi-Pot Rating (10 Seconds)	Line to Ground 1000VAC