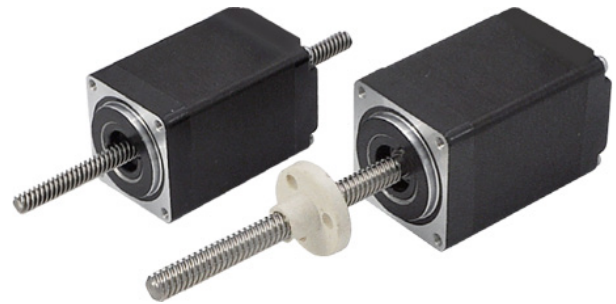


11AW Stepper Linear Actuators



FEATURES

- NEMA Size 11
- Motor Winding Options Available
- Custom Lead Screw Lengths
- Stepper Motor with Internal or External Nut
- 1.8° Step Angle
- 0.00635mm/REV up to 0.0254mm/REV Per Full Step

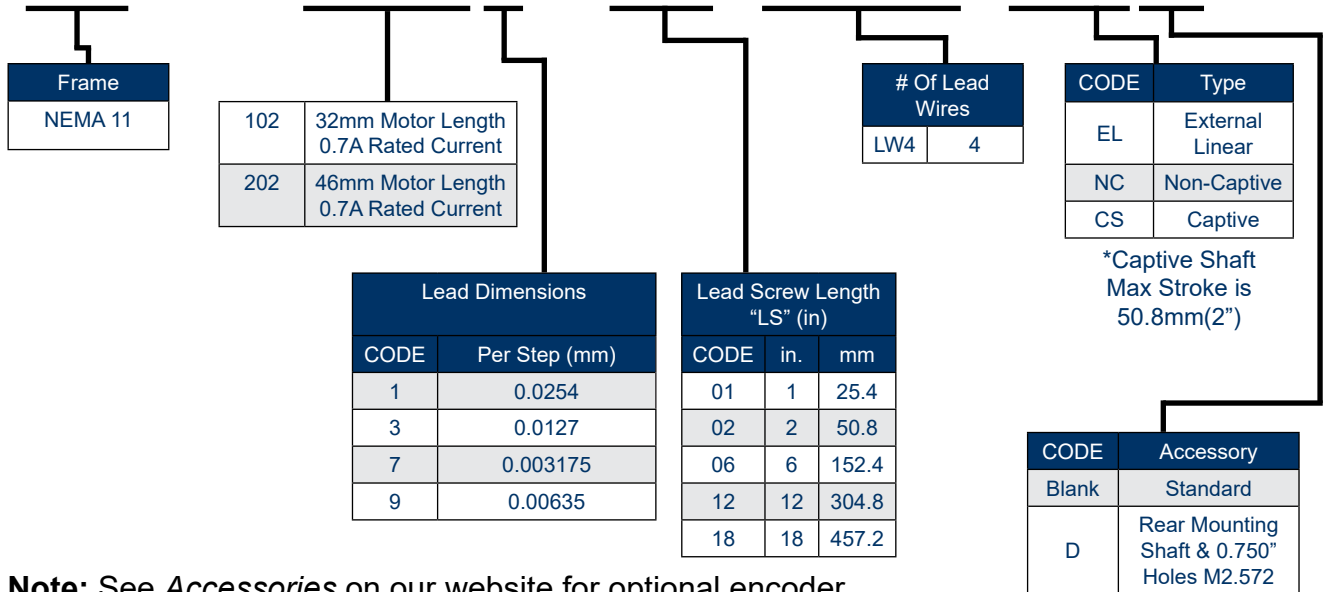


DESCRIPTION

Anaheim Automation's 11AW Linear Stepper Motors are designed to be the most versatile linear positioning motors on the market. These robust linear actuators, available in non-captive or external linear options, use a NEMA 11 hybrid stepper motor, and can be easily configured to solve difficult application problems. Integration of a lead screw with a motor saves space, eliminates components, and reduces cost. While many standard configurations are available, custom modifications for OEM customers are welcome.

BUILD A PART NUMBER

11AW1021X06-LW4-ELD



Note: See *Accessories* on our website for optional encoder and/or connector adders.

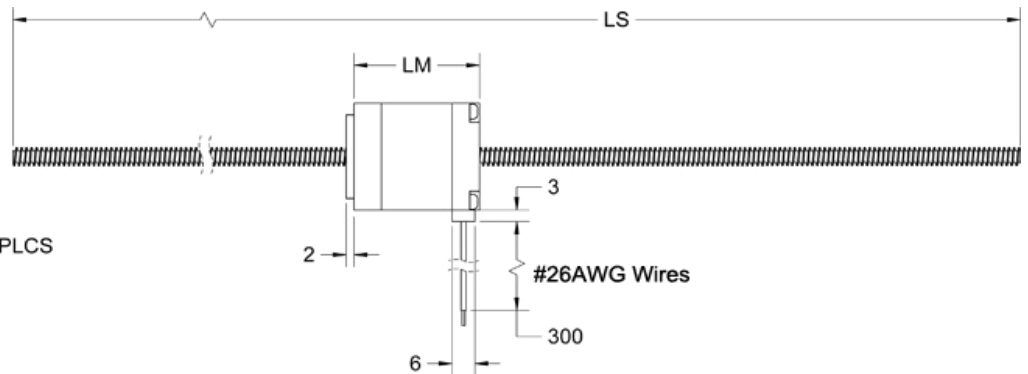
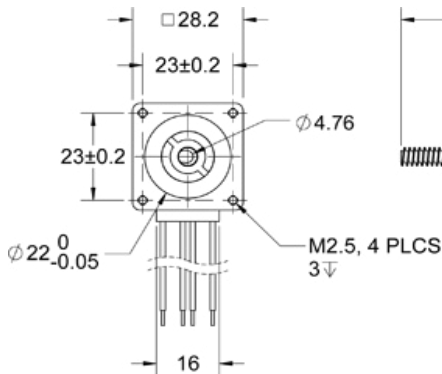
Nut Part #	Description
11AW-1-NUT	Replacement nut for 11AW stepper motor with 0.200mm lead, Leadscrew thread code 1
11AW-9-NUT	Replacement nut for 11AW stepper motor with 0.050mm lead, Leadscrew thread code 9

L011507

Motor Specifications								
Model Number	Voltage (V)	Bipolar Current (A)	Resistance (ohms)	Inductance (mH)	Number of Leads	Motor Weight (lbs)	Motor Length "LM" (mm)	Screw Length (in/mm)
11AW1021X06-LW4-EL	3.9	1	5.6 ± 10%	3.4 ± 20%	4	0.30	32.2	6 (152.4)
11AW1021X06-LW4-NC	3.9	0.7	5.6 ± 10%	3.4 ± 20%	4	0.25	32.2	6 (152.4)
11AW1021X12-LW4-EL	3.9	0.7	5.6 ± 10%	3.4 ± 20%	4	0.31	32.2	12 (304.8)
11AW1021X12-LW4-NC	3.9	1	5.6 ± 10%	3.4 ± 20%	4	0.36	32.2	12 (304.8)
11AW1021X18-LW4-NC	3.9	0.7	5.6 ± 10%	3.4 ± 20%	4	0.30	32.2	18 (457.2)
11AW1029X06-LW4-EL	3.9	0.7	5.6 ± 10%	3.4 ± 20%	4	0.26	32.2	6 (152.4)
11AW1029X06-LW4-NC	3.9	1	5.6 ± 10%	3.4 ± 20%	4	0.26	32.2	6 (152.4)
11AW1029X12-LW4-NC	3.9	0.7	5.6 ± 10%	3.4 ± 20%	4	0.31	32.2	12 (304.8)
11AW2021X06-LW4-EL	4.7	1	6.8 ± 10%	4.9 ± 20%	4	0.40	45.9	6 (152.4)
11AW2029X06-LW4-NC	4.7	1	6.8 ± 10%	4.9 ± 20%	4	0.40	45.9	6 (152.4)
11AW2029X12-LW4-EL	4.7	1	6.8 ± 10%	4.9 ± 20%	4	0.45	45.9	12 (304.8)
11AW2029X12-LW4-NC	4.7	0.7	6.8 ± 10%	4.9 ± 20%	4	0.5	45.9	12 (304.8)
11AW2029X18-LW4-NC	4.7	0.7	6.8 ± 10%	4.9 ± 20%	4	0.55	45.9	18 (457.2)
11AW2021X02-LW4-C-01	4.5	0.7	6.8 ± 10%	4.9 ± 20%	4	0.40	45.9	2 (50.8)
11AW2021X07-LW4-EL-01	4.76	0.7	6.8 ± 10%	4.9 ± 20%	4	0.40	45.9	7 (177.8)
11AW2029X13-LW4-EL-01	4.76	0.7	6.8 ± 10%	4.9 ± 20%	4	0.45	45.9	13 (330.2)

Leadscrew Thread Dimension (mm)				
Code	Diameter	Step	Lead (mm)	Lead (in)
1	4.76	0.0254	5.08	0.200
3	4.76	0.0127	2.54	0.100
7	4.76	0.003175	0.635	0.025
9	4.76	0.00635	1.27	0.050

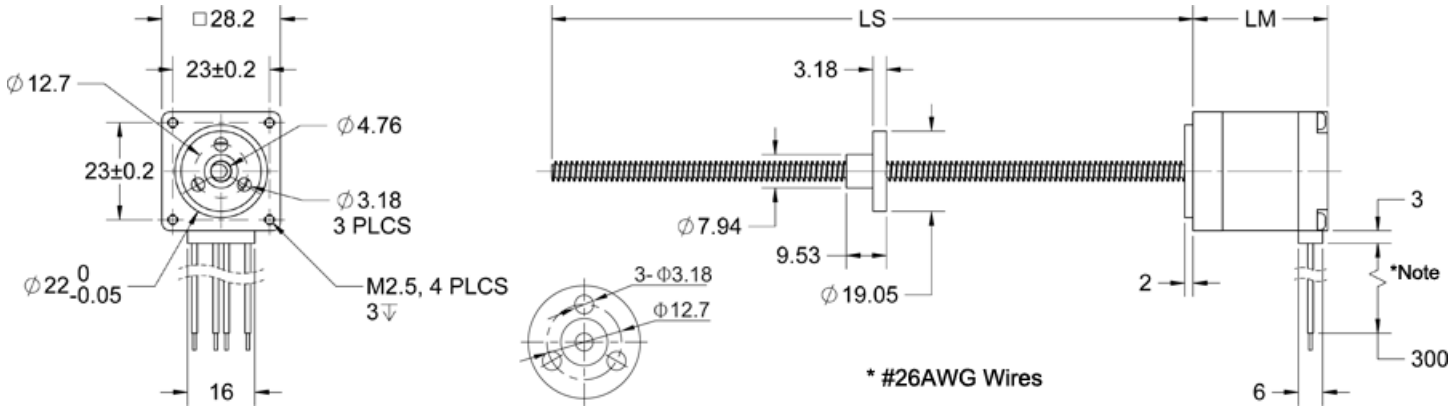
Non-Captive (NC)



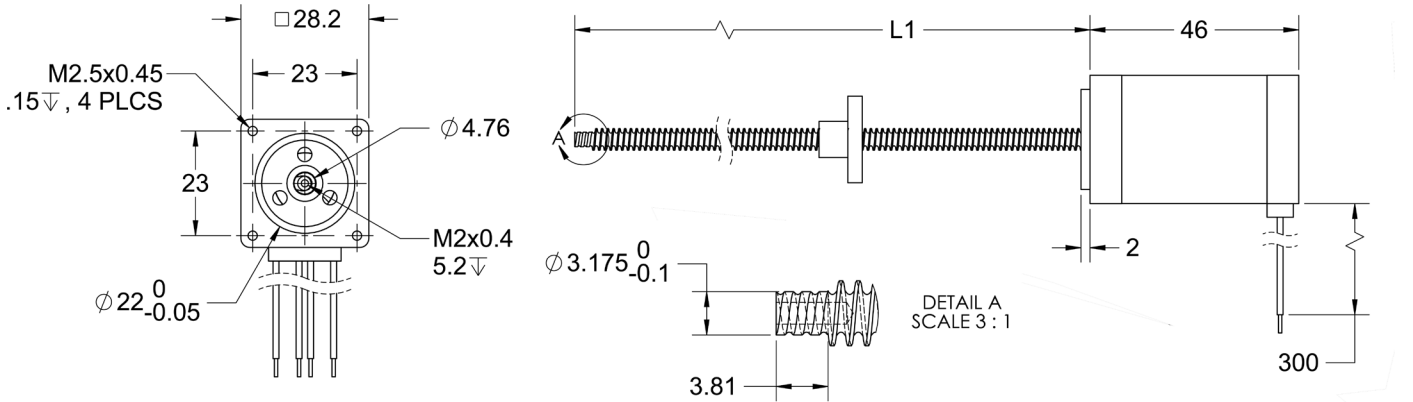
Units are in Millimeters

External Linear (EL)

Units are in Millimeters



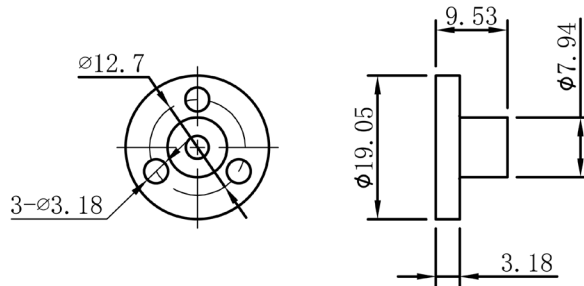
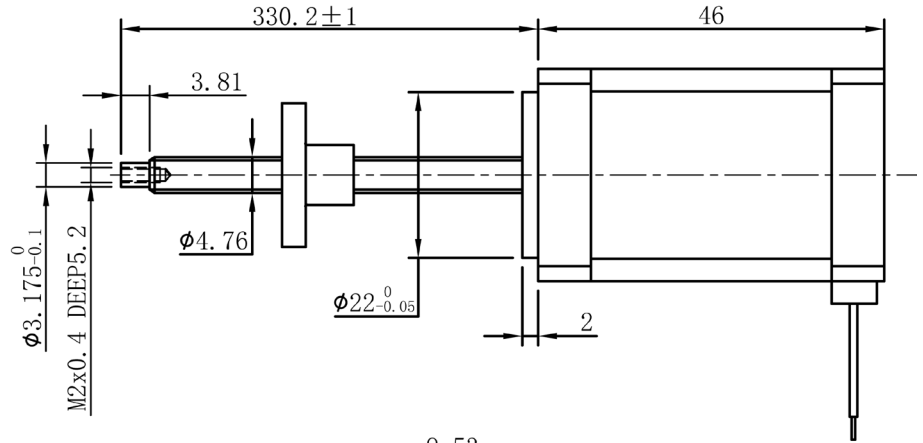
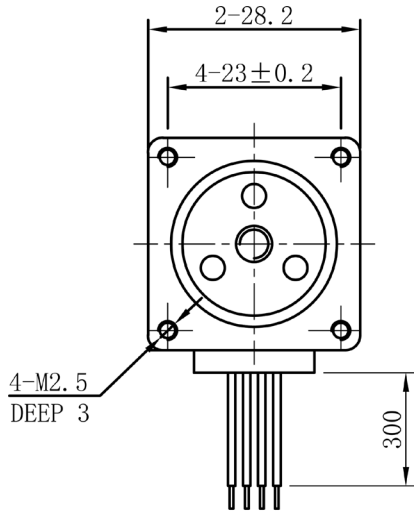
11AW2021X07-LW4-EL-01



Units are in Millimeters

DIMENSIONS

11AW2029X13-LW4-EL-01



Units are in Millimeters

WIRING INFORMATION

