

14AW Stepper Linear Actuators



FEATURES

- NEMA Size 14
- Motor Winding Options Available
- Custom Lead Screw Lengths
- Stepper Motor with Internal Nut
- Self Contained Package with Ball Bearings
- 1.8° Step Angle
- Multiple Lead Screw Thread Options
- 0.003969mm or 0.03175mm Per Full Step



DESCRIPTION

Anaheim Automation's 14AW leadscrew Stepper Motors were designed to be the most versatile linear position motors in today's market. These robust linear actuators, available in non-captive, external linear, or anti-backlash options, use a NEMA 14 hybrid stepper motor, and can be easily configured to solve difficult applications problems. Integration of a leadscrew with a motor saves space, eliminates components, and reduces cost. While many standard configurations are available, custom modifications for OEM customers are welcome.

BUILD A PART NUMBER

14AW202CX06-LW4-EL

Frame	
NEMA 14	

202	35mm Motor Length 0.7A Rated Current
304	48mm Motor Length 1.5A Rated Current

Travel Per Step (mm)	
C	0.03175
P	0.003969

Lead Screw Length "LS" (in)	
06	6"
12	12"
18	18"

# Of Lead Wires	
LW4	4

Type	
EL	External Linear
NC	Non-Captive
EA	Anti-Backlash

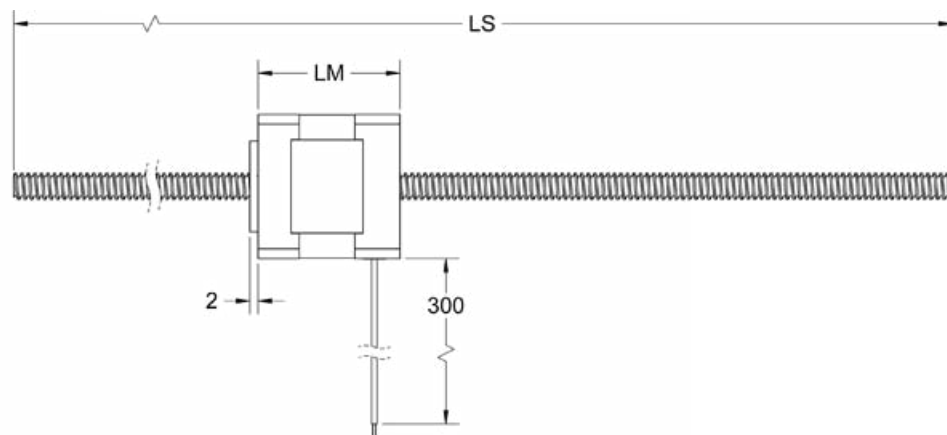
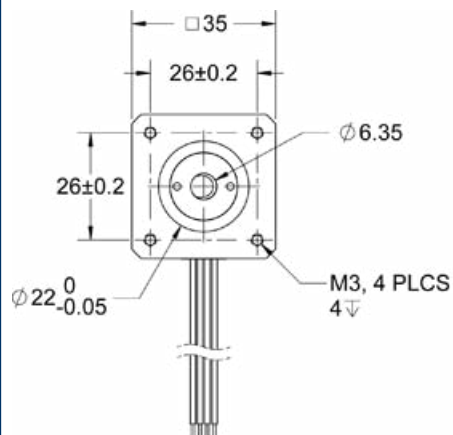
Note: See *Accessories* on our website for optional encoder and/or connector adders.

L011508

Motor Specifications							
Model Number	Voltage (V)	Bipolar Current (A)	Resistance (ohms)	Inductance (mH)	Number of Leads	Motor Weight (lbs)	Motor Length "LM" (mm)
14AW202	4.9	0.7	7.0 ± 10%	10.0 ± 20%	4	0.52	34.5
14AW304	4.2	1.5	2.8 ± 10%	3.8 ± 20%	4	0.52	48

Leadscrew Thread Dimension (mm)			
Code	Diameter	Step	Lead
C	6.35	0.03175	6.35
P	6.35	0.003969	0.79375

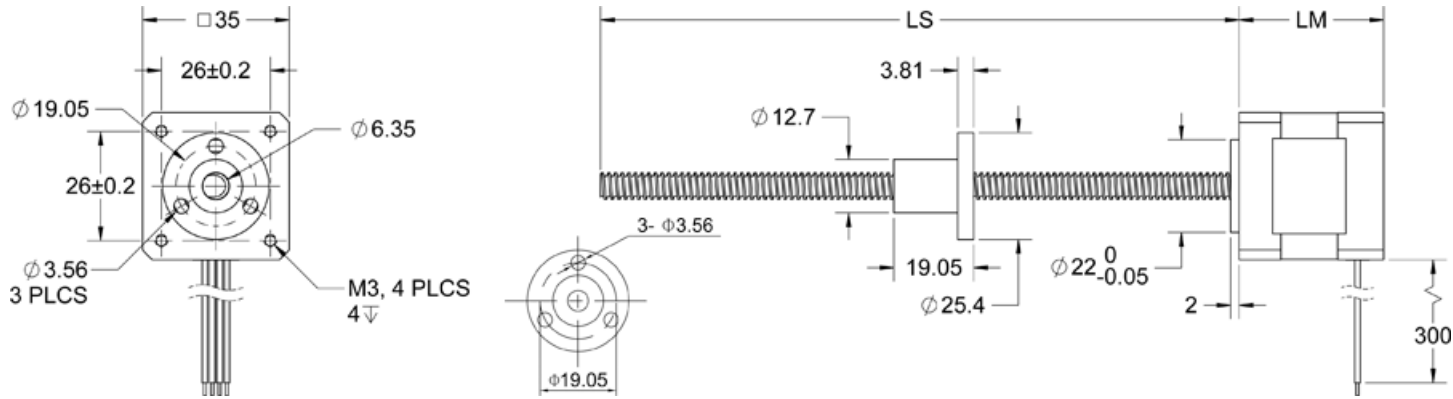
Non-Captive (NC)



Units are in Millimeters

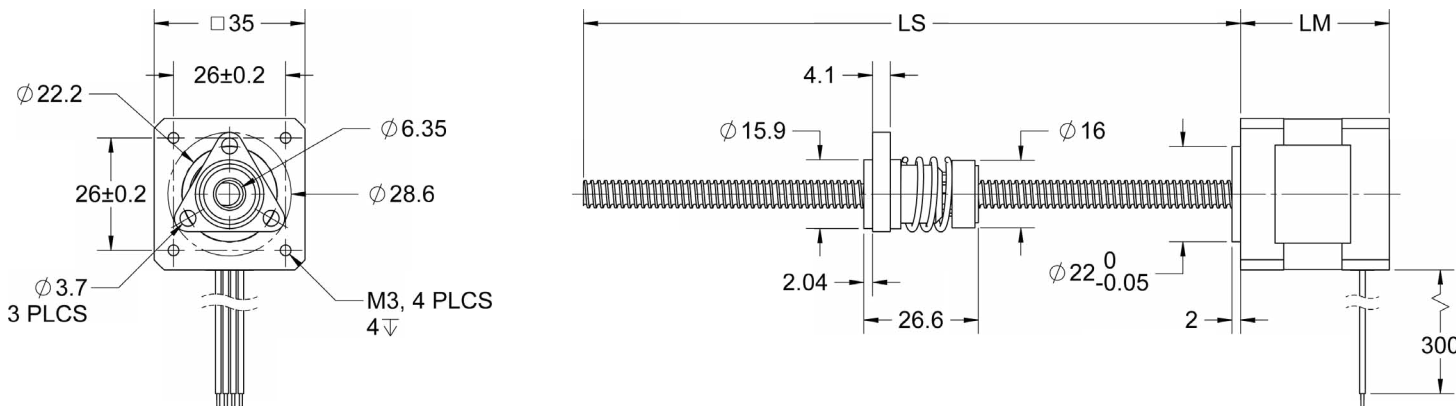
DIMENSIONS

External Linear (EL)



Units are in Millimeters

Anti-Backlash Nut (EA)



WIRING INFORMATION

