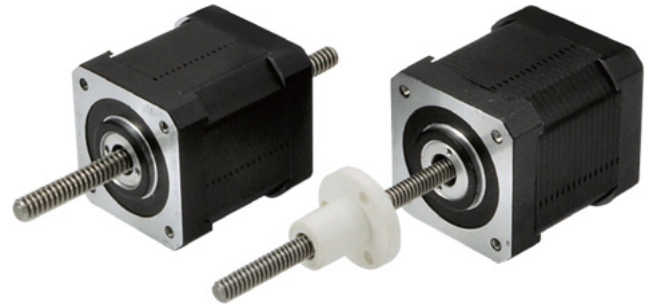


17AW Stepper Linear Actuators



FEATURES

- NEMA Size 17
- Motor Winding Options Available
- Custom Lead Screw Lengths
- Stepper Motor with Internal Nut
- Self Contained Package with Ball Bearings
- 1.8° Step Angle
- Multiple Lead Screw Thread Options
- 0.03175mm or 0.003969mm Per Full Step

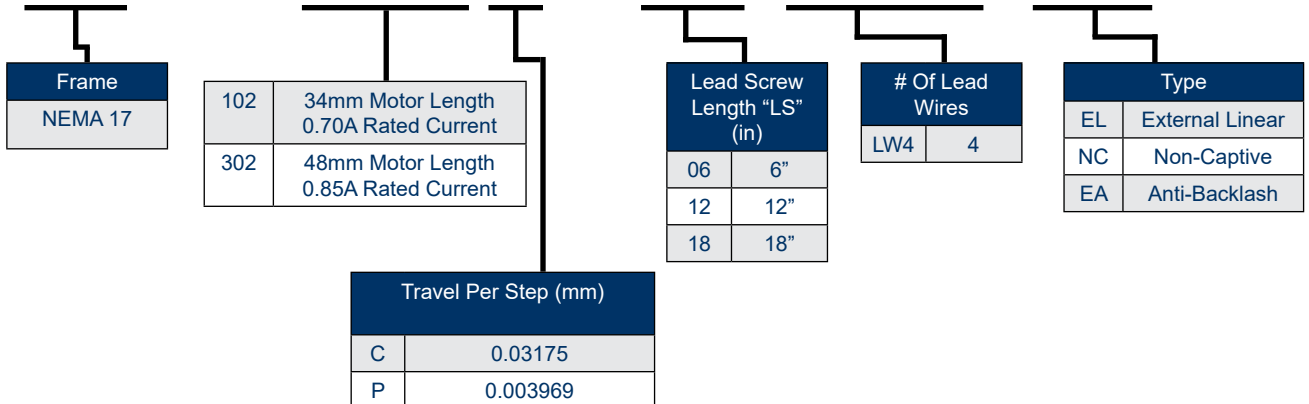


DESCRIPTION

Anaheim Automation's 17AW leadscrew Stepper Motors were designed to be the most versatile linear position motors in today's market. These robust linear actuators, available in non-captive, external linear, or anti-backlash options, use a NEMA 17 hybrid stepper motor, and can be easily configured to solve difficult applications problems. Integration of a leadscrew with a motor saves space, eliminates components, and reduces cost. While many standard configurations are available, custom modifications for OEM customers are welcome.

BUILD A PART NUMBER

17AW102CX12-LW4-NC



Note: See *Accessories* on our website for optional encoder and/or connector adders.

L011509

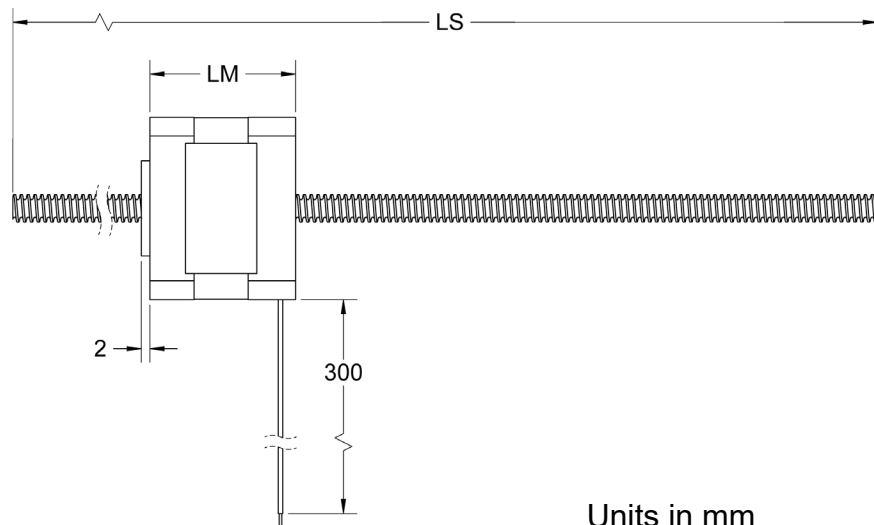
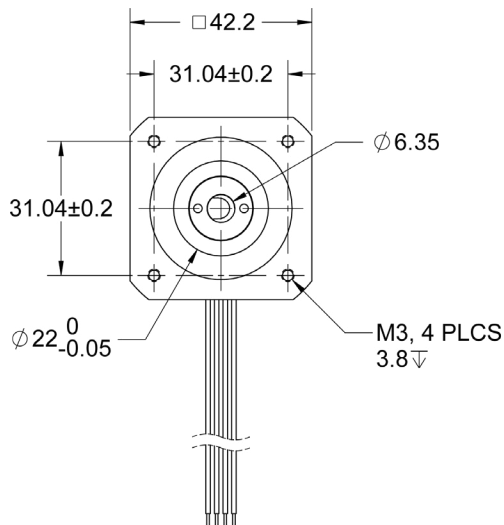
Motor Specifications

| Model Number | Voltage (V) | Bipolar Current (A) | Resistance (ohms) | Inductance (mH) | Number of Leads | Motor Weight (lbs) | Motor Length "LM" (mm) |
|--------------|-------------|---------------------|-------------------|-----------------|-----------------|--------------------|------------------------|
| 17AW102 | 5.2 | 0.70 | 7.3 ± 10% | 10 ± 20% | 4 | 0.53 | 33.80 |
| 17AW302 | 5.6 | 0.85 | 6.6 ± 10% | 11 ± 20% | 4 | 0.77 | 47.75 |

Leadscrew Thread Dimension (mm)

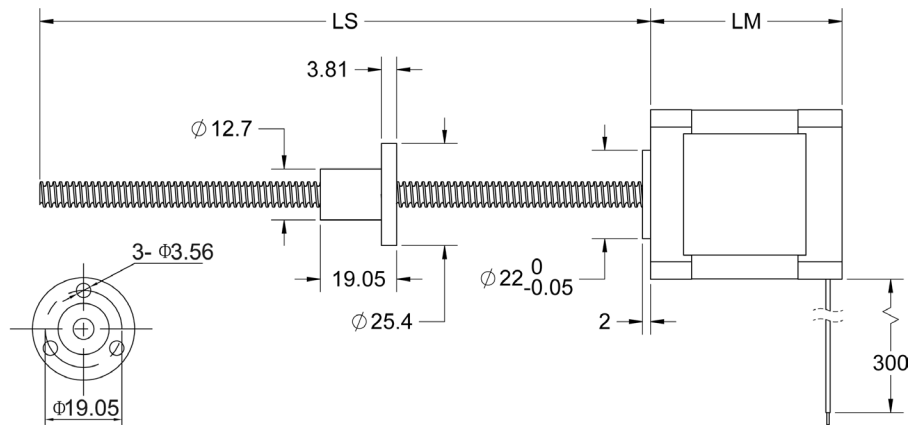
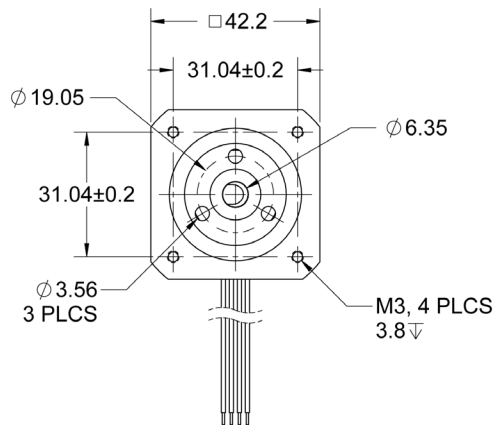
| Code | Diameter | Step | Lead |
|------|----------|----------|--------|
| C | 6.35 | 0.03175 | 6.35 |
| P | 6.35 | 0.003969 | 0.7938 |

Non-Captive (NC)

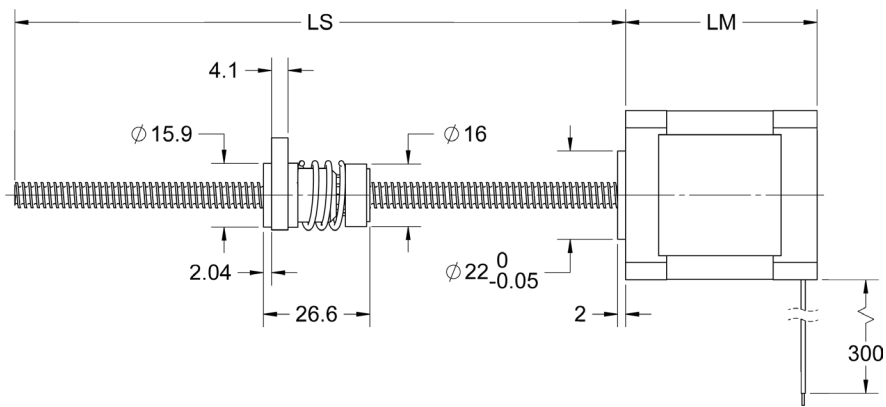
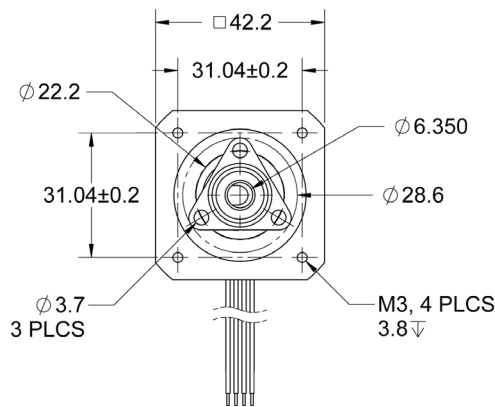


Units in mm

External Linear (EL)

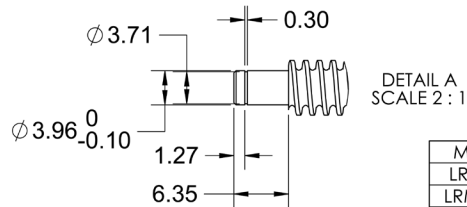
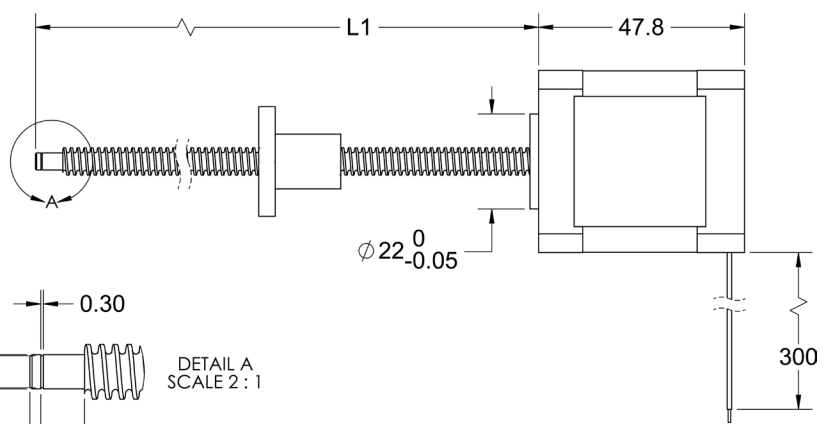
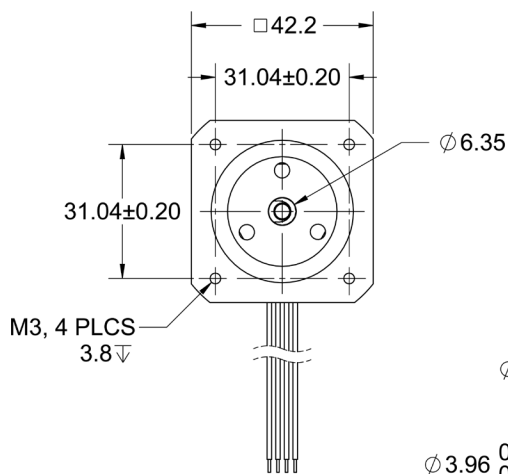


Anti-Backlash Nut(EA)



Units in mm

EL-01



| MODEL | MOTOR | L1 |
|----------|-------------------------|-------|
| LRM17-6 | 17AW302CX07.5-LW4-EL-01 | 190.5 |
| LRM17-12 | 17AW302CX13.5-LW4-EL-01 | 342.9 |

DIMENSIONS

