

34AW Stepper Linear Actuators



FEATURES

- NEMA Size 34
- Motor Winding Options Available
- Custom Lead Screw Lengths
- Stepper Motor with Internal Nut
- Self Contained Package with Ball Bearings
- 1.8° Step Angle
- 0.0127mm Per Full Step



DESCRIPTION

Anaheim Automation's 34AW leadscrew Stepper Motors were designed to be the most versatile linear position motors in today's market. These robust linear actuators, available in non-captive or external linear options, use a NEMA 34 hybrid stepper motor, and can be easily configured to solve difficult application problems. Integration of a leadscrew with a motor saves space, eliminates components, and reduces cost. While many standard configurations are available, custom modifications for OEM customers are welcome.

BUILD A PART NUMBER

34AW1063X18-LW8-EL

Frame	
NEMA 34	

106	79mm Motor Length 3.0A Rated Current
-----	---

Travel Per Step (mm)	
3	0.0127

Lead Screw Length "LS" (in)	
06	06"
12	12"
18	18"

# Of Lead Wires	
LW8	8

Type	
EL	External Linear
NC	Non-Captive

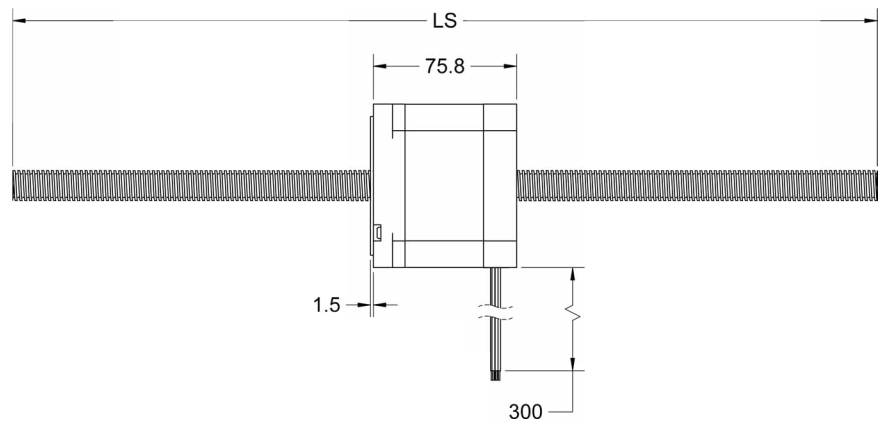
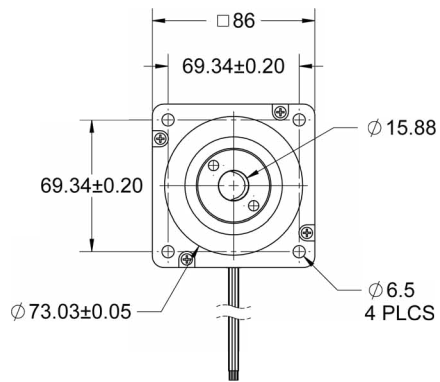
Note: See *Accessories* on our website for optional encoder and/or connector adders.

L011515

Motor Specifications							
Model Number	Voltage (V)	Unipolar Current (A)	Resistance (ohms)	Inductance (mH)	Number of Leads	Motor Weight (lbs)	Motor Length (mm)
34AW106	4.5	3.0	1.5 ± 10%	6.3 ± 20%	8	5.1	78.56

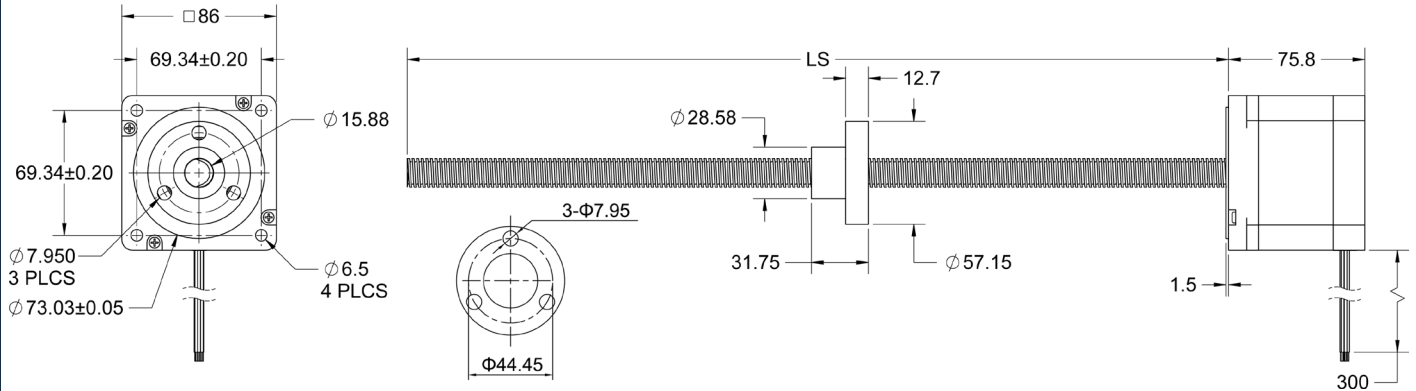
Leadscrew Thread Dimension (mm)			
Code	Diameter	Step	Lead
3	15.88	0.0127	2.54

34AW Non-Captive (NC)



Units are in Millimeters

34AW External Linear (EL)



Units are in Millimeters

